


Middle Atlantic Products

EXCEPTIONAL SUPPORT & PROTECTION™

EGR Series Enclosure



Time saving, economical and versatile 19" A/V enclosure

Features

- Fully welded construction provides the following weight capacities:
UL Listed Load Capacity – 2,000 lbs. – Static load capacity: 8,000 lbs.
- V-System™ compatible accessories mount on hidden grid of small laser knockouts on sides of rack
- Flush mount, removable top closure panels included
- 23" OD width, 28" OD Depth
- Durable black textured powder coat finish
- UL Listed in the US and Canada



Architects and Engineers' Specifications

EIA compliant 19" stand-alone equipment rack shall be Middle Atlantic Products model #EGR-____ (see chart for available models). Overall dimensions of rack shall be ____"H x 23"W x 28"D (refer to chart). Rack depth shall be expandable, front and rear, in 3" increments using optional model #EGR-____-EXT3 (40, 44) extenders. Useable height shall be ____ rackspaces, useable depth shall be 27-1/4" (refer to chart). Rack shall come equipped with one pair of fixed position steel rackrail with tapped 10-32 mounting holes in universal EIA spacing, black e-coat finish and numbered rackspaces and included integral rear cable management channel. Rack shall include vented locking rear door standard and solid sides with a vertical slotted vent pattern at top and bottom. Rack shall have 2 (two) 1" x 7" rear obround knockouts with 1/2", 1", 1-1/4" and 1-1/2" electrical knockouts in base and top. Rack shall have a removable top panel with 1", 1-1/2", 2", and 3" electrical knockouts. Rear door shall accept up to six 4-1/2" fans. Rack shall have three 3" Laser KOs on each side for cable pass-through. Rack shall have mounting points on both sides to accept V-System compatible accessories. Rack shall be of fully welded construction. Rack shall have top access area with 12 rackspaces of 10-32 threaded top rail and flush-mount top mount plates. Rack shall be finished in an environmentally friendly, durable black powdercoat. Rack shall be constructed of steel. Grounding and bonding stud shall be 1/4-20 threaded, installed in top and base of enclosure. Fully welded construction shall provide a static capacity of 8,000 lbs. and a UL Listed load capacity of 2,000 lbs. Rack shall be UL Listed in the US and Canada. Rack shall be GREENGUARD Indoor Air Quality Certified for Children and Schools. Rack shall be RoHS EU Directive 2002/95/EC compliant. Rack shall be manufactured by an ISO 9001

and ISO 14001 registered company. Rack shall be warranted to be free from defects in material or workmanship under normal use and conditions for the lifetime of the product.

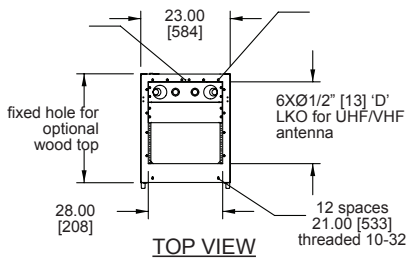
OPTIONS

- Front or Rear Extender, adds 3" of usable depth, model # EGR-____-EXT3 (40,44)
- Cable entry rear door, shall be model # EGR-RDC____ (refer to chart)
- Front doors shall be model # FD-XX (solid), LVFD-XX (vented, 64% open area), PFD-XX (plexi), (XX= # of rackspaces)
- Fan top options shall be model # EFP-2DC (3 space panel w/2 fans, 138 CFM), EFP-2DC-FC (3 space panel w/fan controller, 2 fans, 138 CFM)
- Rear door fan kit shall include guards and be model # FAN-2DC (2 fans, 138 CFM), FAN-2DC-FC (2 fans with fan controller, 138 CFM)
- Caster base shall add 3-15/16" to overall height, featuring four casters with a 1,300 lb. weight capacity, and shall be model # CBS-EGR-28
- Inner platform base with opening in top shall be BS-EGR-28, solid base with LKO shall be SBS-EGR-28.
- Furniture top option shall be model number EGR-TX-28GS (X=# of bays, 1, 2 or 3)
- Rear rail kit shall be model # EGR-RRXX (XX=# of rackspaces)

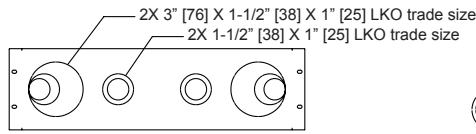
CUSTOMIZABLE SPECIFICATION CLIPS AVAILABLE AT MIDDLEATLANTIC.COM

EGR basic dimensions

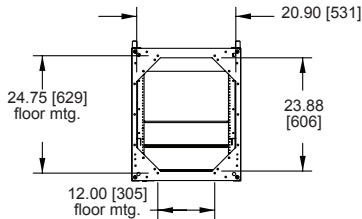
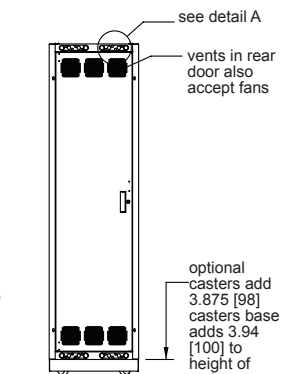
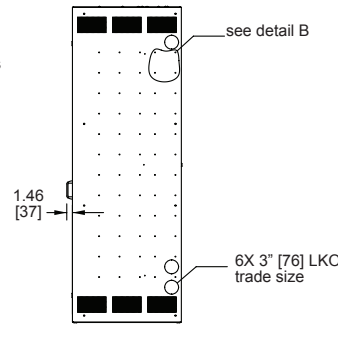
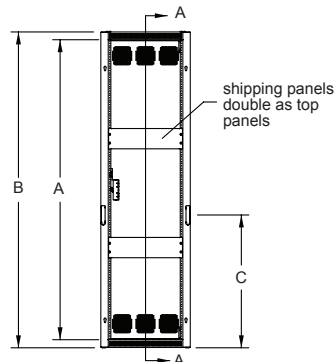
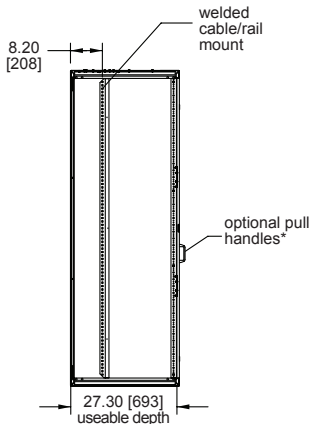
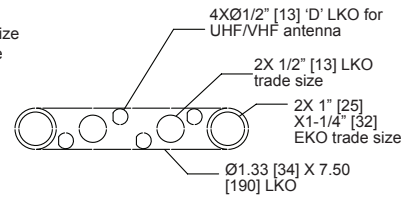
All dimensions in inches unless otherwise noted [All dimensions in brackets are in millimeters]



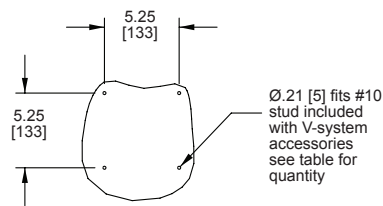
TOP PANEL LKO DETAIL



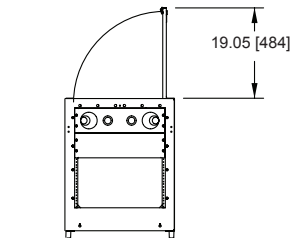
DETAIL A



floor mounting locations



accessory LKO pattern detail

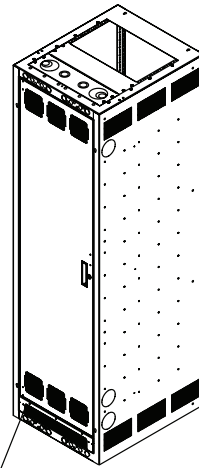


Part#	"A"	"B" Height	"C" Handle Height	Optional Rear Brush Cable Entry Rear Door	Optional 3" F/R Rack Extender	Optional Rear Rackrail	Qty Accessory LKO per Rack
EGR-2128	36.75 [933] 21 spaces	40.95 [1040]	26.98 [685]	EGR-RDC21	N/A	EGR-RR21	60
EGR-2428	42.00 [1067] 24 spaces	46.20 [1174]	29.60 [752]	EGR-RDC24	N/A	EGR-RR24	60
EGR-3528	61.25 [1556] 35 spaces	65.45 [1662]	26.27 [667]	EGR-RDC35	N/A	EGR-RR35	100
EGR-4028	70.00 [1778] 40 spaces	74.20 [1885]	30.64 [778]	EGR-RDC40	EGR-40-EXT3	EGR-RR40	120
EGR-4428	77.00 [1956] 44 spaces	81.20 [2063]	34.14 [867]	EGR-RDC44	EGR-44-EXT3	EGR-RR44	120

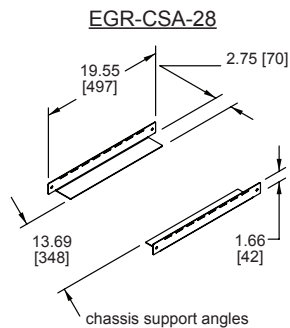


EGR basic dimensions

All dimensions in inches unless otherwise noted [All dimensions in brackets are in millimeters]



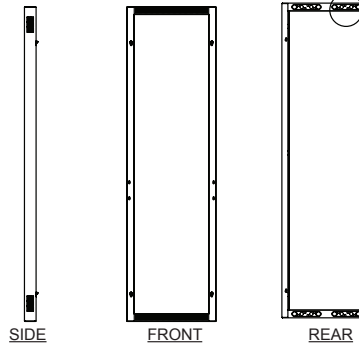
EGR-4428 shown with
EGR-RDC-44 (includes door)



EGR-XX-EXT3

extends front or rear of
rack 3.00 [76]

see
detail A



	Optional Caster Base	Commercial Casters	Locking Commercial Casters	Fine Floor Casters	Locking Fine Floor Casters	Optional Inner Riser Base	Optional Solid Base	Optional Handles	Optional Chassis Support Angles
All Models	CBS-EGR-28	5W	5WL	5WR	5WLR	BS-EGR-28	SBS-EGR-28	EGR-HDL*	EGR-CSA-28

*EGR-HDL handles limit opening angle of front door to 90°