
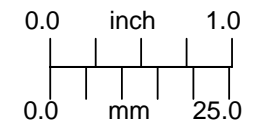

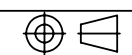


## OUTLINE

UNLESS OTHERWISE SPECIFIED DIMENSIONS ARE IN INCHES [MM] AND INCLUDE CHEMICALLY APPLIED OR PLATED FINISHES	<b>PROPRIETARY AND CONFIDENTIAL</b> THE INFORMATION CONTAINED IN THIS DRAWING IS THE SOLE PROPERTY OF NAVITAR. ANY REPRODUCTION IN PART OR AS A WHOLE WITHOUT THE WRITTEN PERMISSION OF NAVITAR IS PROHIBITED.	 ROCHESTER, NEW YORK
SCALE: 1:1		12X ZOOM LENS ASS'Y w/ 12mm FF &
WEIGHT: 1.50 lbmass		
DR BY: DJM	DO NOT SCALE DRAWING	 1-800-284-2288 sales@avsupply.com www.avsupply.com
CH BY: PB		
PROJECT #:		SIZE
DATE DR: 7/22/1998		<b>B</b>

For design help, accessories or pricing, please contact:  
sales@avsupply or call: 1-858-565-1101