
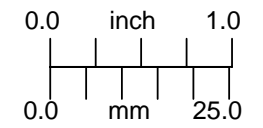

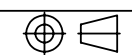


OUTLINE

UNLESS OTHERWISE SPECIFIED DIMENSIONS ARE IN INCHES [MM] AND INCLUDE CHEMICALLY APPLIED OR PLATED FINISHES	PROPRIETARY AND CONFIDENTIAL THE INFORMATION CONTAINED IN THIS DRAWING IS THE SOLE PROPERTY OF NAVITAR. ANY REPRODUCTION IN PART OR AS A WHOLE WITHOUT THE WRITTEN PERMISSION OF NAVITAR IS PROHIBITED.	 ROCHESTER, NEW YORK
SCALE: 1:1		LENS, 10X, 1/8" DIA, 55 DEGREE A.D.I.C.
WEIGHT: N/A		SIZE B
DR BY: REP	DO NOT SCALE DRAWING	 1-800-284-2288 sales@avsupply.com www.avsupply.com
CH BY:		
PROJECT #:		
DATE DR: 9/21/2007		

For design help, accessories or pricing, please contact:
sales@avsupply or call: 1-858-565-1101