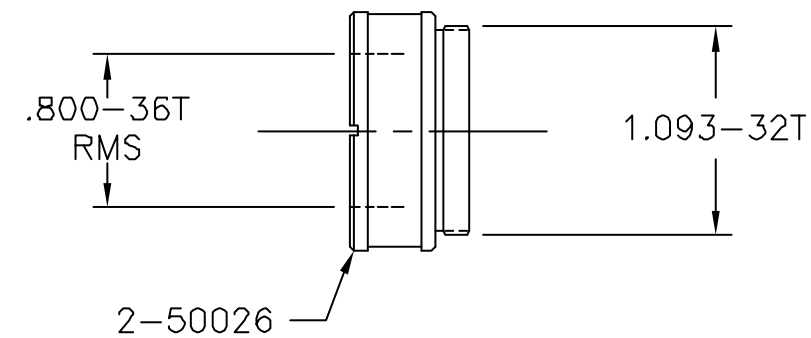
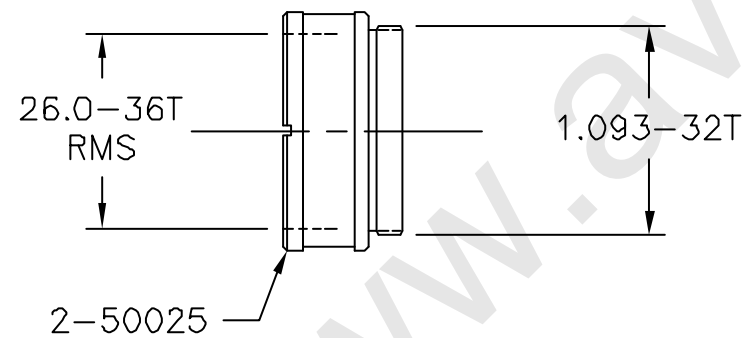
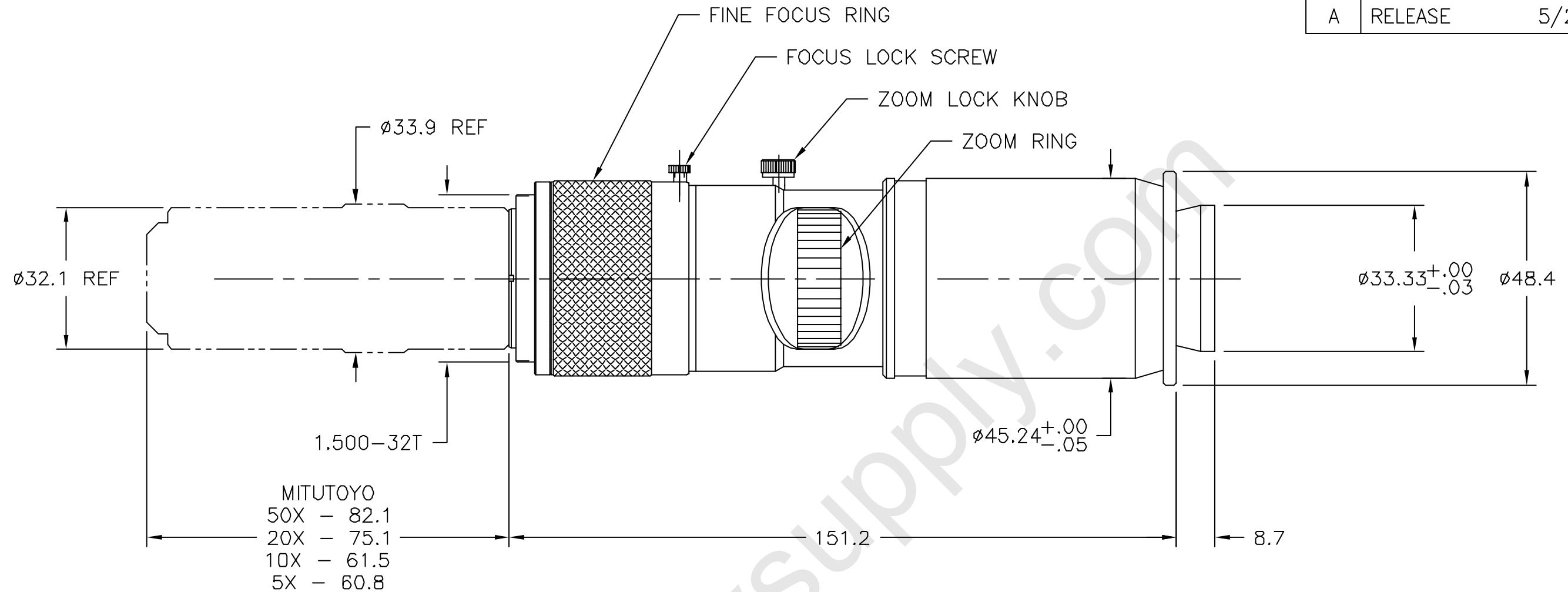


REV	CHANGE RECORD AND DATE	CH
A	RELEASE 5/25/98	SSC



NEXT ASSY.

USED ON

1-50504 0L

MATERIAL	UNLESS OTHERWISE SPECIFIED DIMENSIONS ARE IN MM AND INCLUDE CHEMICALLY APPLIED OR PLATED FINISHES		<u>P/N Suffix Definition</u> -1 Conversion Coating -2 Painting -3 Marking -R Rework		
	FINISH	TOLERANCES AS FOLLOWS DEC. .XX ±.10 DEC. .X ±.20 ANGLES ±30' CONCENTRICITY .08 TIR BREAK ALL SHARP EDGES .15 MIN. .25 MAX. MAX. SURF. ROUGHNESS √.80			
CHAMFER ALL THREADS 30° TO ROOT DIAM.					SIZE B

NAVITAR
ROCHESTER, NEW YORK

12X ULTRAZOOM

AUDIOVIDEO SUPPLY
1-800-284-2288 sales@avsupply.com
www.avsupply.com

For design help, accessories or pricing, please contact:
sales@avsupply or call: 1-858-565-1101

Distributed By: Audio Video Supply -- Tel: 1-800-284-2288 -- www.avsupply.com