
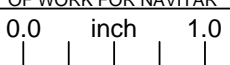
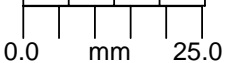
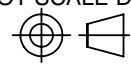



### OUTLINE

UNLESS OTHERWISE SPECIFIED DIMENSIONS ARE IN INCHES AND INCLUDE CHEMICALLY APPLIED OR PLATED FINISHES	THE CONTENTS OF THIS DOCUMENT ARE PROPRIETARY TO NAVITAR. ITS USE IS AUTHORIZED ONLY FOR RESPONDING TO REQUEST FOR QUOTATION OR PERFORMANCE OF WORK FOR NAVITAR	 ROCHESTER, NEW YORK	
		12X ULTRA ZOOM w/ COAX NOSE	
SCALE: 1:1	0.0    inch    1.0  0.0    mm    25.0 	SIZE	<b>B</b>
WEIGHT:		DO NOT SCALE DRAWING	
DR: DJM		 1-800-284-2288 sales@avsupply.com www.avsupply.com	
CH: PB			
PROJECT #:			
DATE DR: 8/15/2002			

For design help, accessories or pricing, please contact:  
 sales@avsupply or call: 1-858-565-1101