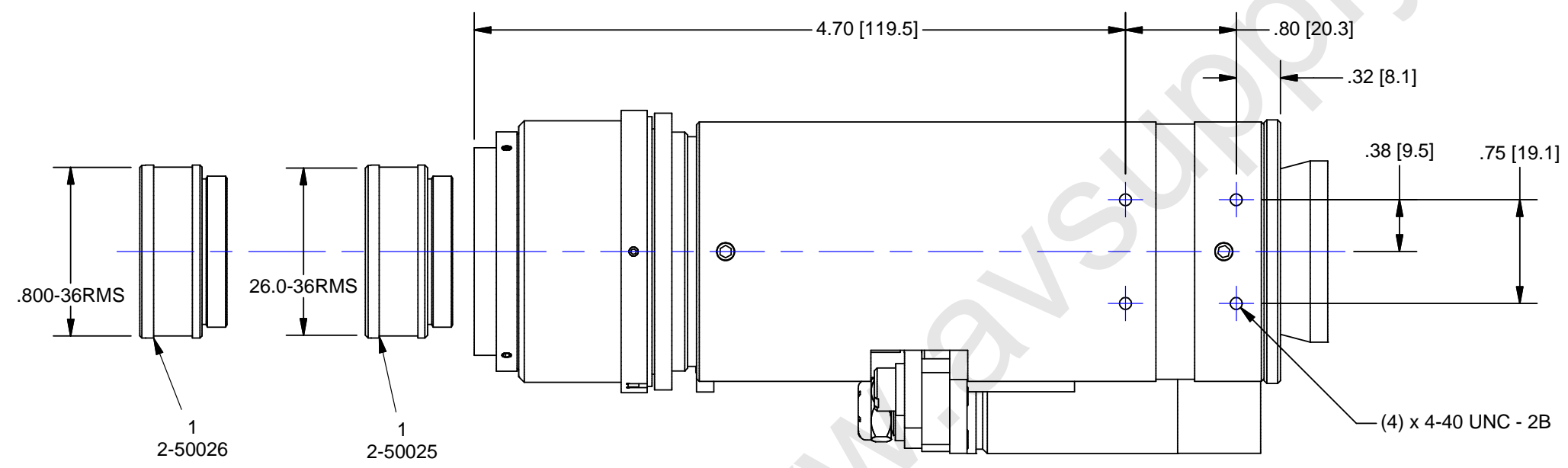
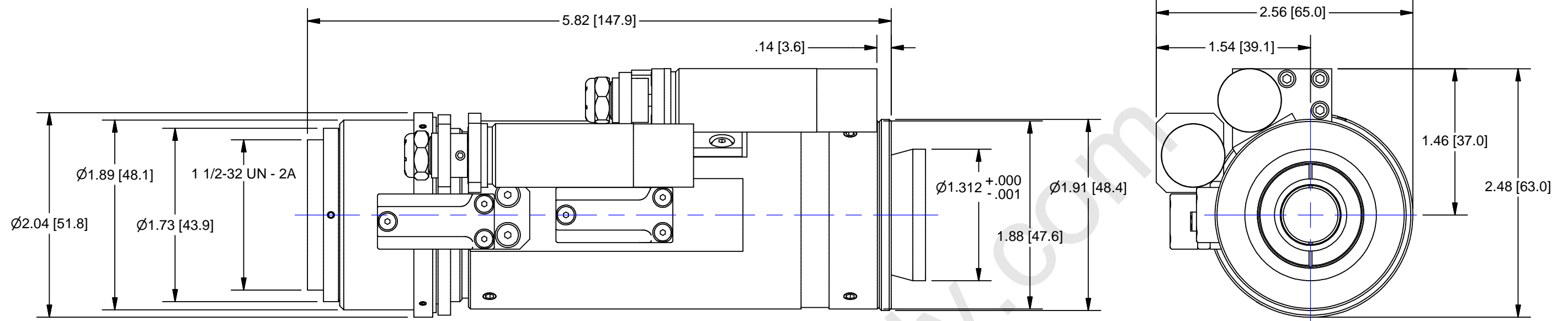
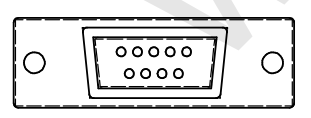


REV	CHANGE RECORD AND DATE	CH
-----	------------------------	----



**DC ENCODED PINOUT**

- PIN 1 = MOTOR CH A
- PIN 2 = FAR LIMIT
- PIN 3 = N/C
- PIN 4 = +5Vdc
- PIN 5 = MOTOR +
- PIN 6 = MOTOR CH B
- PIN 7 = NEAR LIMIT
- PIN 8 = COMMON
- PIN 9 = MOTOR -



9 PIN MALE D-SUB

**OUTLINE**

USED ON: MATERIAL:	UNLESS OTHERWISE SPECIFIED DIMENSIONS ARE IN INCHES AND INCLUDE CHEMICALLY APPLIED OR PLATED FINISHES	P/N SUFFIX DEFINITION -1 CONVERSION COATING -2 PAINTING -3 MARKING -R REWORK	THE CONTENTS OF THIS DOCUMENT ARE PROPRIETARY TO NAVITAR, ITS USE IS AUTHORIZED ONLY FOR RESPONDING TO REQUEST FOR QUOTATION OR PERFORMANCE OF WORK FOR NAVITAR	 ROCHESTER, NEW YORK MOTORIZED (ENCODED) 12X ULTRA ZOOM 12mm F5 DUAL 2 <b>AUDIOVIDEO SUPPLY</b> 1-800-284-2288 sales@avsupply.com www.avsupply.com
	FINISH:	SCALE: 1:1		
CHAMFER ALL THREADS 30° TO ROOT DIAM.	TOLERANCES: DEC. .XXX ± .005 DEC. .XX ± .010 FRACT. ± 1/64 ANGLES ± 30' CONCENTRICITY .003 TIR BREAK ALL SHARP EDGES .005 MIN. .010 MAX MAX. SURF. ROUGHNESS 32	DR.: R. PODLENA CH.: P. BONAFEDE APP.: DATE DR.: 11/19/2002 DO NOT SCALE DRAWING	0.0 inch 1.0 0.0 mm 25.0 	SIZE <b>B</b>

For design help, accessories or pricing, please contact:  
sales@avsupply or call: 1-858-565-1101

Distributed By: Audio Video Supply -- Tel: 1-800-284-2288 -- www.avsupply.com