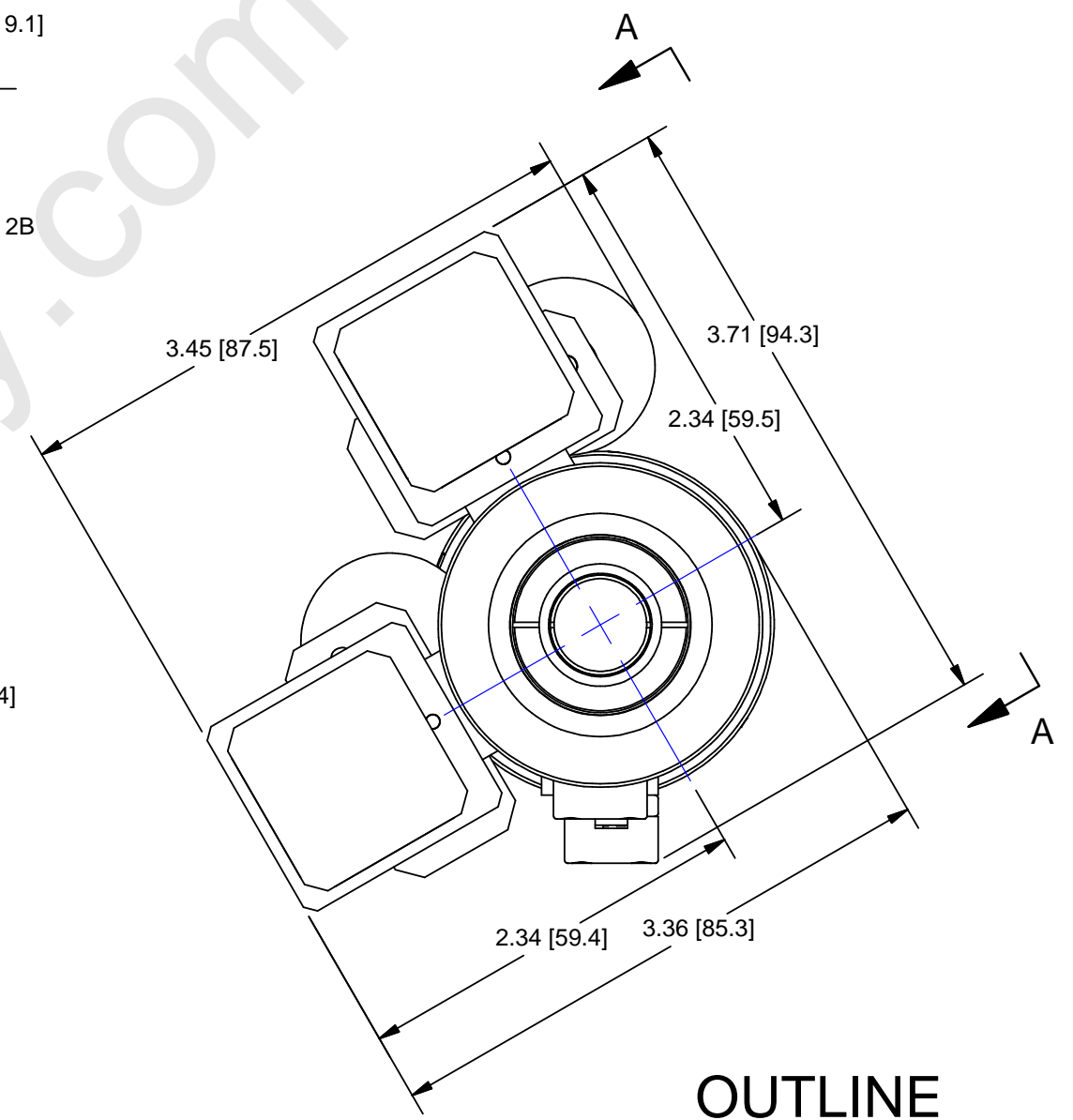
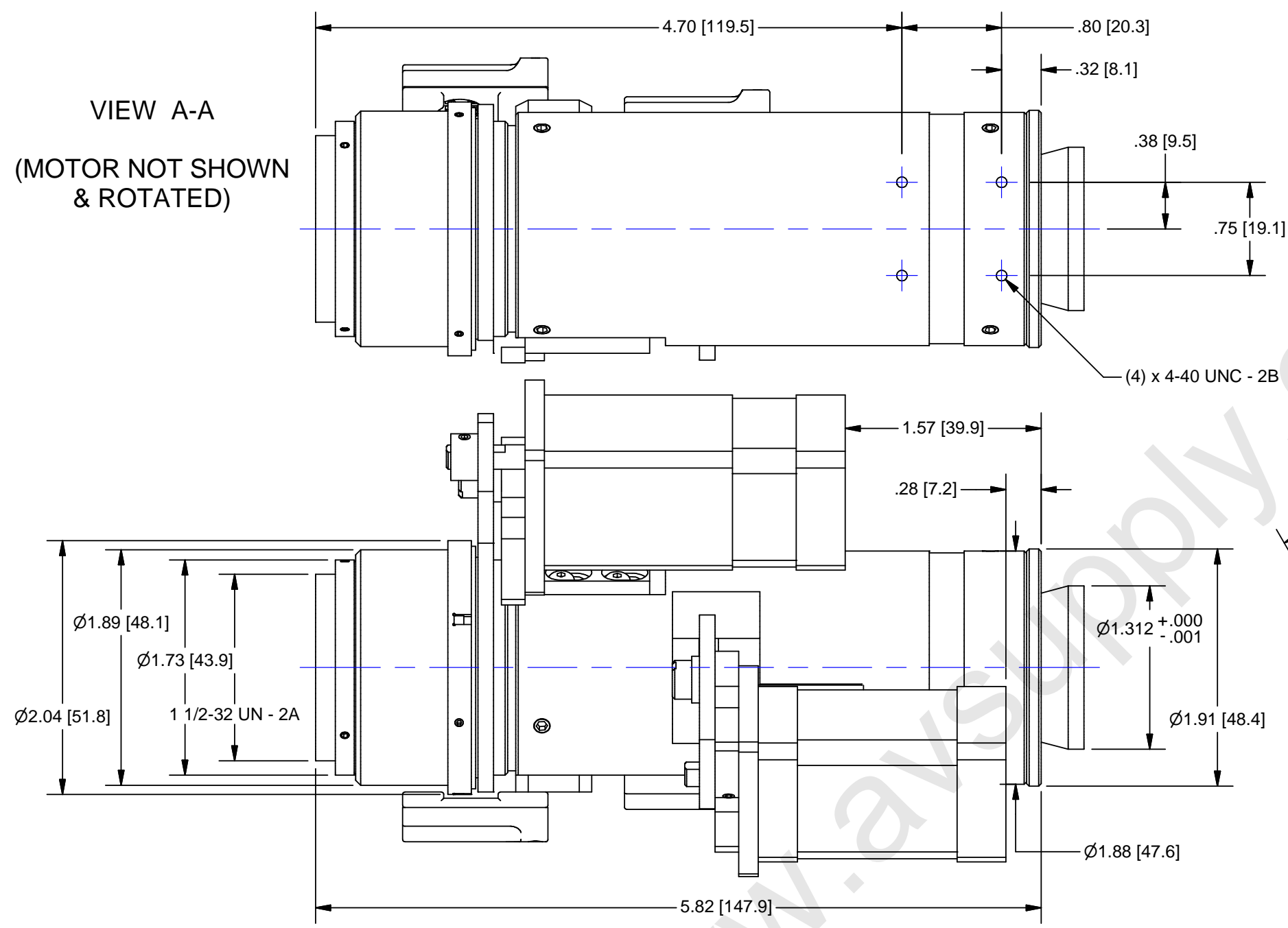
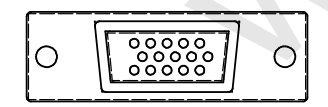


VIEW A-A  
(MOTOR NOT SHOWN & ROTATED)



**5-PHASE MOTOR PINOUT**

- PIN 3 = +5Vdc
- PIN13 = COMMON
- PIN 8 = FAR LIMIT
- PIN 12 = NEAR LIMIT
- PIN 15 = MOTOR 1
- PIN 5 = MOTOR 2
- PIN 10 = MOTOR 3
- PIN 4 = MOTOR 4
- PIN 14 = MOTOR 5



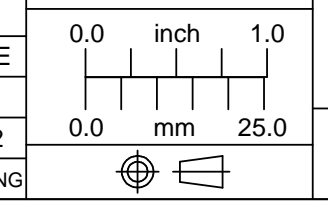
15 PIN HIGH DENSITY D-SUB

**OUTLINE**

**USED ON:**

<b>MATERIAL:</b>	UNLESS OTHERWISE SPECIFIED DIMENSIONS ARE IN INCHES AND INCLUDE CHEMICALLY APPLIED OR PLATED FINISHES	<b>P/N SUFFIX DEFINITION</b> -1 CONVERSION COATING -2 PAINTING -3 MARKING -R REWORK
<b>FINISH:</b>	<b>TOLERANCES:</b> DEC. .XXX ± .005 DEC. .XX ± .010 FRACT. ± 1/64 ANGLES ± 30' CONCENTRICITY .003 TIR BREAK ALL SHARP EDGES .005 MIN. .010 MAX MAX. SURF. ROUGHNESS 32	<b>SCALE: 1:1</b> <b>DR.: R. PODLENA</b> <b>CH.: P. BONAFEDE</b> <b>APP.:</b> <b>DATE DR.: 11/19/2002</b> <b>DO NOT SCALE DRAWING</b>
CHAMFER ALL THREADS 30° TO ROOT DIAM.		

THE CONTENTS OF THIS DOCUMENT ARE PROPRIETARY TO NAVITAR, ITS USE IS AUTHORIZED ONLY FOR RESPONDING TO REQUEST FOR QUOTATION OR PERFORMANCE OF WORK FOR NAVITAR



MOTORIZED (5PH) 12X ZOOM & 1:

**AUDIOVIDEO SUPPLY**  
1-800-284-2288 sales@avsupply.com  
www.avsupply.com