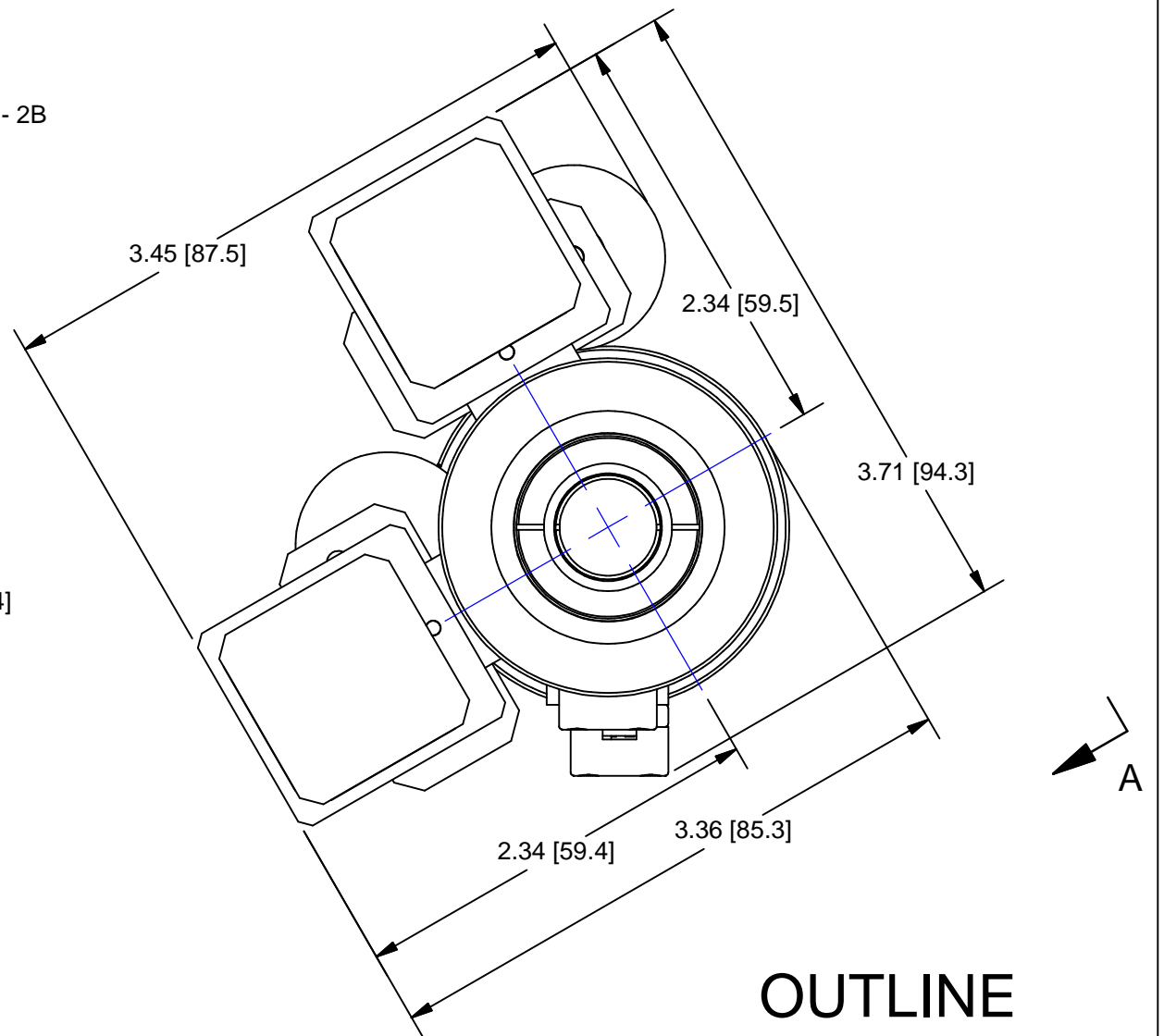
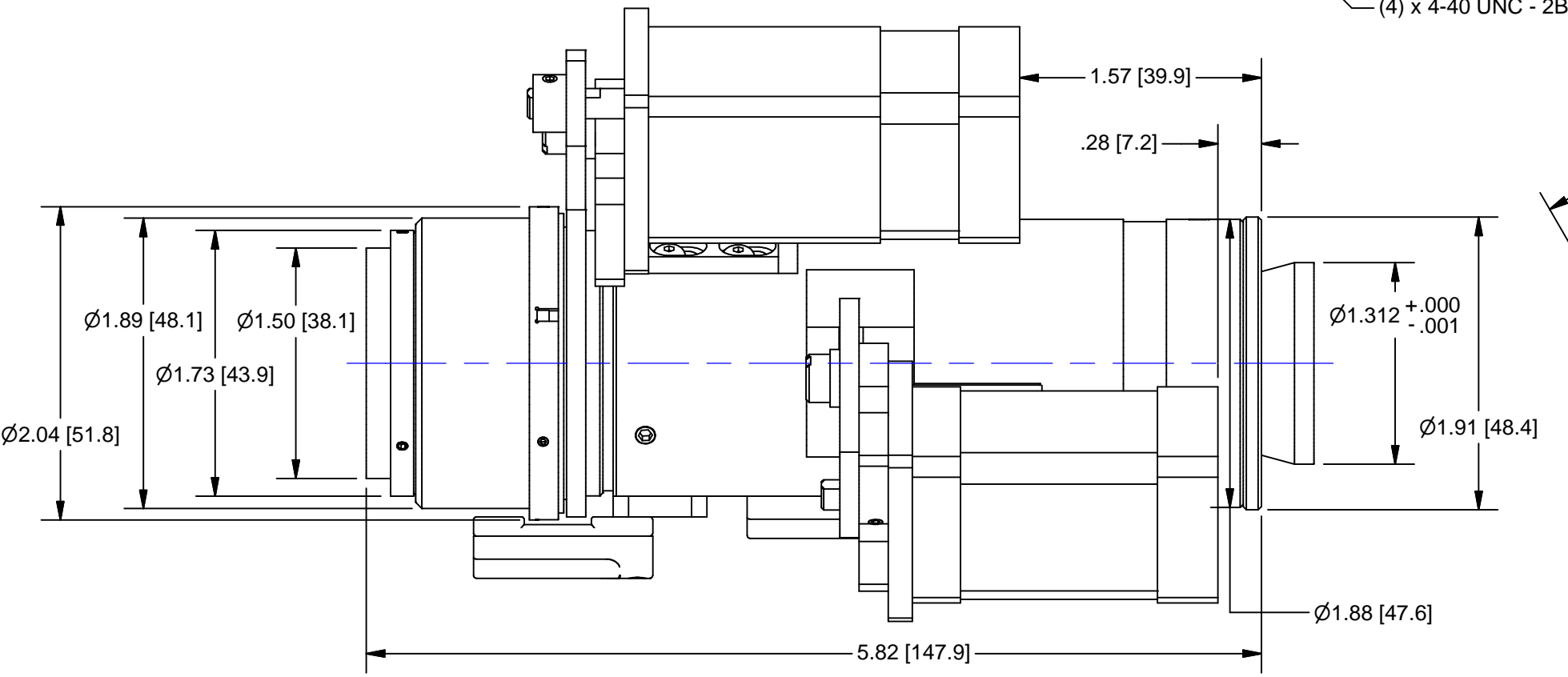


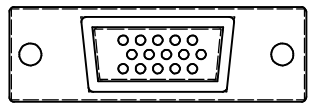
VIEW A-A
(MOTOR NOT SHOWN;
VIEW ROTATED)



OUTLINE

5-PHASE MOTOR PINOUT

- PIN 3 = +5Vdc
- PIN13 = COMMON
- PIN 8 = FAR LIMIT
- PIN 12 = NEAR LIMIT
- PIN 15 = MOTOR 1
- PIN 5 = MOTOR 2
- PIN 10 = MOTOR 3
- PIN 4 = MOTOR 4
- PIN 14 = MOTOR 5



15 PIN HIGH DENSITY
D-SUB

USED ON:

MATERIAL:	UNLESS OTHERWISE SPECIFIED DIMENSIONS ARE IN INCHES AND INCLUDE CHEMICALLY APPLIED OR PLATED FINISHES
FINISH:	TOLERANCES: DEC. .XXX ± .005 DEC. .XX ± .010 FRACT. ± 1/64 ANGLES ± 30' CONCENTRICITY .003 TIR BREAK ALL SHARP EDGES .005 MIN. .010 MAX MAX. SURF. ROUGHNESS 32 √
CHAMFER ALL THREADS 30° TO ROOT DIAM.	

P/N SUFFIX DEFINITION -1 CONVERSION COATING -2 PAINTING -3 MARKING -R REWORK	SCALE: 1:1
DR.: R. PODLENA	CH.: P. BONAFEDE
APP.:	DATE DR.: 11/19/2002
DO NOT SCALE DRAWING	

THE CONTENTS OF THIS DOCUMENT ARE PROPRIETARY TO NAVITAR, ITS USE IS AUTHORIZED ONLY FOR RESPONDING TO REQUEST FOR QUOTATION OR PERFORMANCE OF WORK FOR NAVITAR
0.0 inch 1.0 0.0 mm 25.0
⊕

 ROCHESTER, NEW YORK	
MOTORIZED (5PH) 12X ULTRAZOOM & 12mm FF, DUAL 2 POSITION LS	
SIZE B	1-51208 SHEET 1 OF 1
REV B	