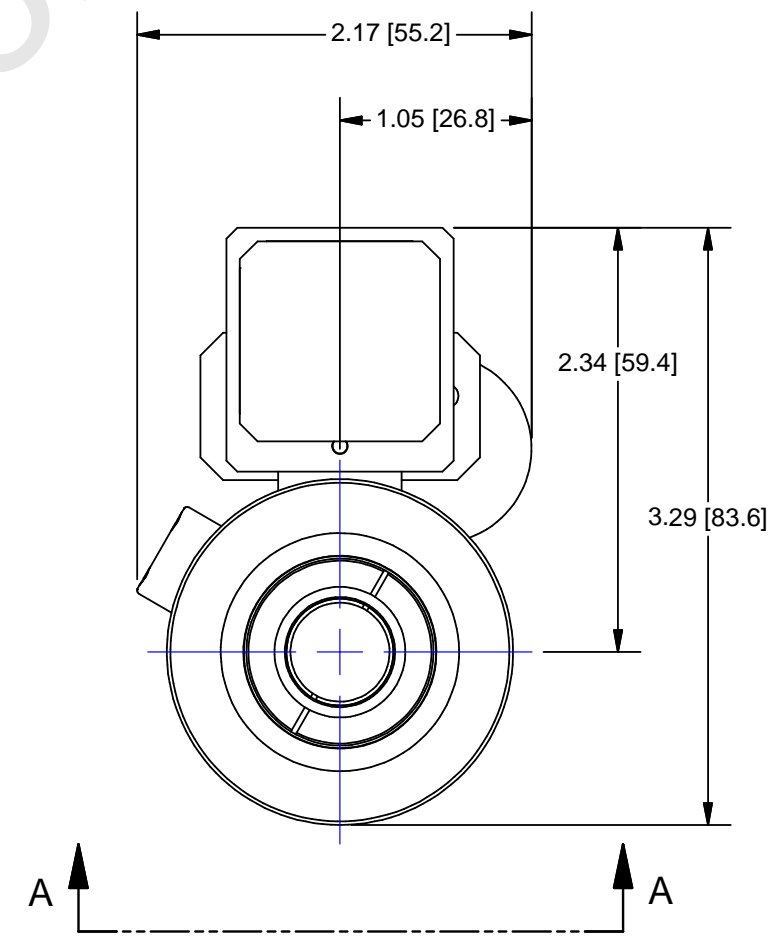
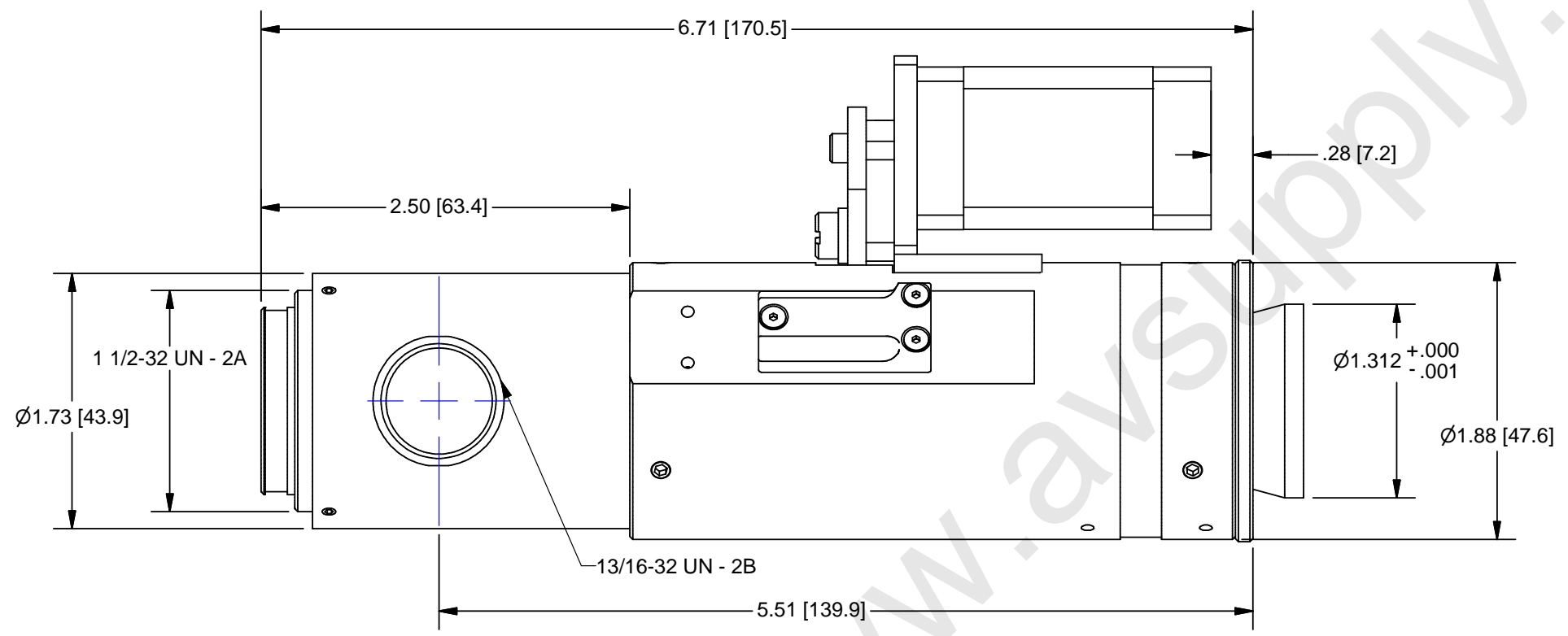
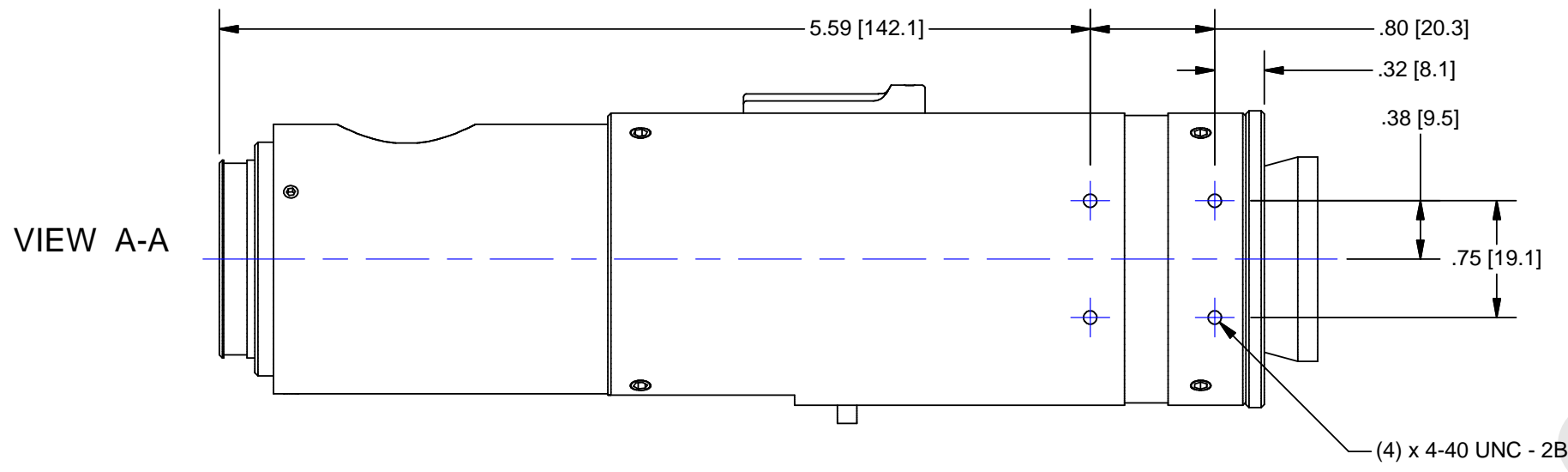
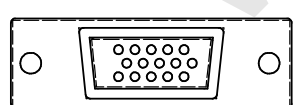


REV	CHANGE RECORD AND DATE	CH
A	RELEASE 09/04/03	



5-PHASE MOTOR PINOUT

- PIN 3 = +5Vdc
- PIN13 = COMMON
- PIN 8 = FAR LIMIT
- PIN 12 = NEAR LIMIT
- PIN 15 = MOTOR 1
- PIN 5 = MOTOR 2
- PIN 10 = MOTOR 3
- PIN 4 = MOTOR 4
- PIN 14 = MOTOR 5



15 PIN HIGH DENSITY D-SUB

USED ON:

MATERIAL:	UNLESS OTHERWISE SPECIFIED DIMENSIONS ARE IN INCHES AND INCLUDE CHEMICALLY APPLIED OR PLATED FINISHES	P/N SUFFIX DEFINITION -1 CONVERSION COATING -2 PAINTING -3 MARKING -R REWORK
FINISH:	TOLERANCES: DEC. .XXX ± .005 DEC. .XX ± .010 FRACT. ± 1/64 ANGLES ± 30' CONCENTRICITY .003 TIR BREAK ALL SHARP EDGES .005 MIN. .010 MAX MAX. SURF. ROUGHNESS 32	SCALE: 1:1 DR.: R. PODLENA CH.: P. BONAFEDE APP.: DATE DR.: 9/18/2003 DO NOT SCALE DRAWING
CHAMFER ALL THREADS 30° TO ROOT DIAM.		

THE CONTENTS OF THIS DOCUMENT ARE PROPRIETARY TO NAVITAR, ITS USE IS AUTHORIZED ONLY FOR RESPONDING TO REQUEST FOR QUOTATION OR PERFORMANCE OF WORK FOR NAVITAR

OUTLINE



MOTORIZED (5PH) 12X w/COAX

AUDIOVIDEO SUPPLY
 1-800-284-2288 sales@avsupply.com
 www.avsupply.com

For design help, accessories or pricing, please contact:
 sales@avsupply or call: 1-858-565-1101

Distributed By: Audio Video Supply -- Tel: 1-800-284-2288 -- www.avsupply.com