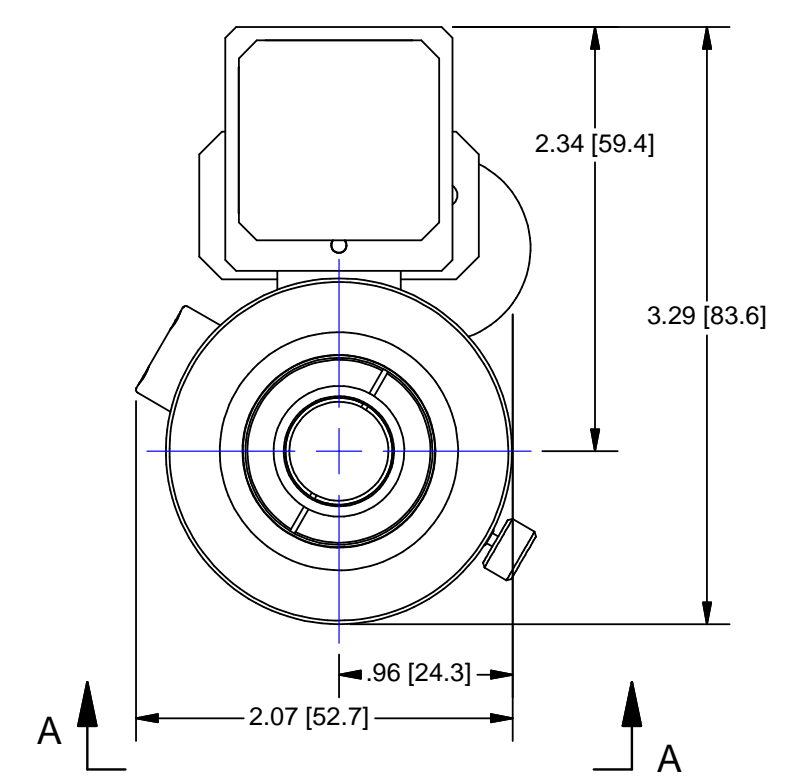
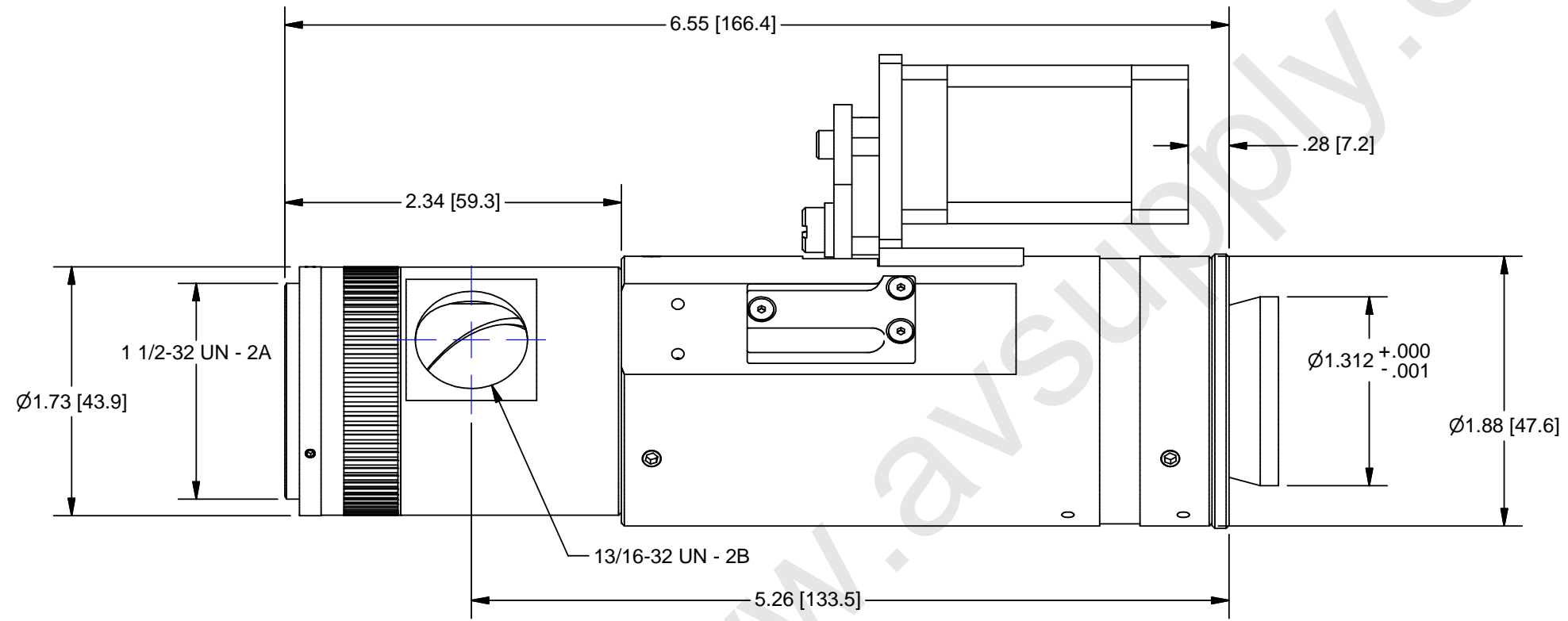
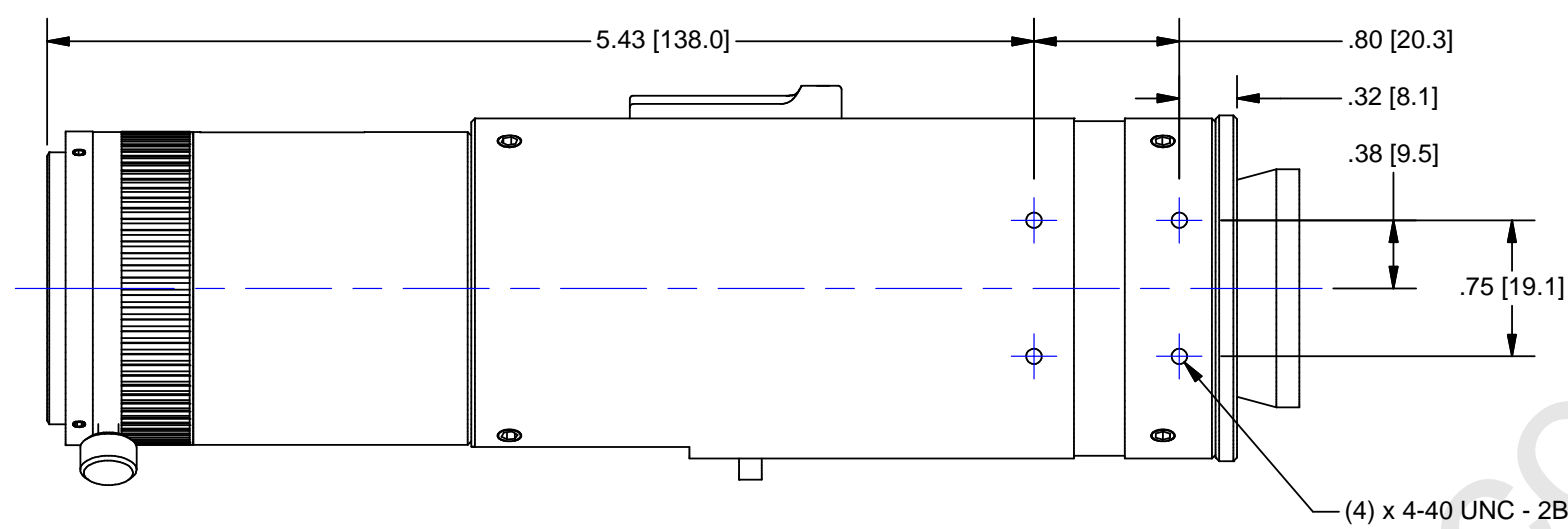


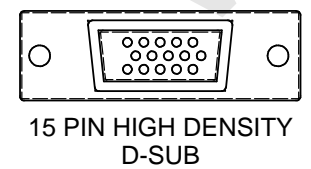
| REV | CHANGE RECORD AND DATE | CH |
|-----|------------------------|----|
| A | RELEASE 09/04/03 | |

VIEW A-A
(VIEW ROTATED)



5-PHASE MOTOR PINOUT

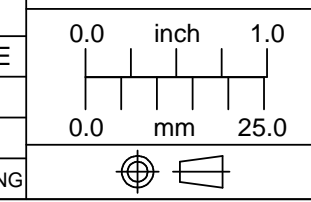
- PIN 3 = +5Vdc
- PIN 13 = COMMON
- PIN 8 = FAR LIMIT
- PIN 12 = NEAR LIMIT
- PIN 15 = MOTOR 1
- PIN 5 = MOTOR 2
- PIN 10 = MOTOR 3
- PIN 4 = MOTOR 4
- PIN 14 = MOTOR 5



USED ON:

| | | |
|--|--|---|
| MATERIAL: | UNLESS OTHERWISE SPECIFIED DIMENSIONS ARE IN INCHES AND INCLUDE CHEMICALLY APPLIED OR PLATED FINISHES | P/N SUFFIX DEFINITION -1 CONVERSION COATING -2 PAINTING -3 MARKING -R REWORK |
| FINISH: | TOLERANCES: DEC. .XXX ± .005 DEC. .XX ± .010 FRACT. ± 1/64 ANGLES ± 30' CONCENTRICITY .003 TIR BREAK ALL SHARP EDGES .005 MIN. .010 MAX MAX. SURF. ROUGHNESS 32 | SCALE: 1:1 DR.: R. PODLENA CH.: P. BONAFEDE APP.: DATE DR.: 9/18/2003 DO NOT SCALE DRAWING |
| CHAMFER ALL THREADS 30° TO ROOT DIAM. | | |

THE CONTENTS OF THIS DOCUMENT ARE PROPRIETARY TO NAVITAR, ITS USE IS AUTHORIZED ONLY FOR RESPONDING TO REQUEST FOR QUOTATION OR PERFORMANCE OF WORK FOR NAVITAR



OUTLINE



MOTORIZED (5PH) 12X w/3mm FF.

AUDIOVIDEO SUPPLY
1-800-284-2288 sales@avsupply.com
www.avsupply.com

For design help, accessories or pricing, please contact:
sales@avsupply or call: 1-858-565-1101

Distributed By: Audio Video Supply -- Tel: 1-800-284-2288 -- www.avsupply.com