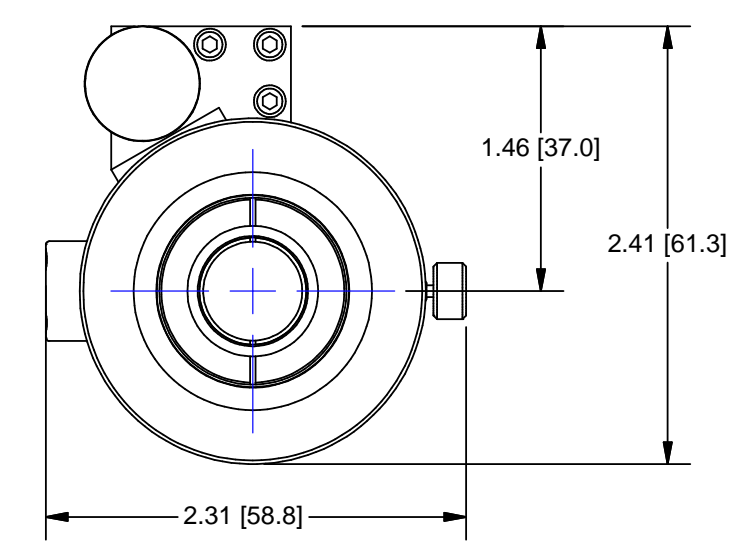
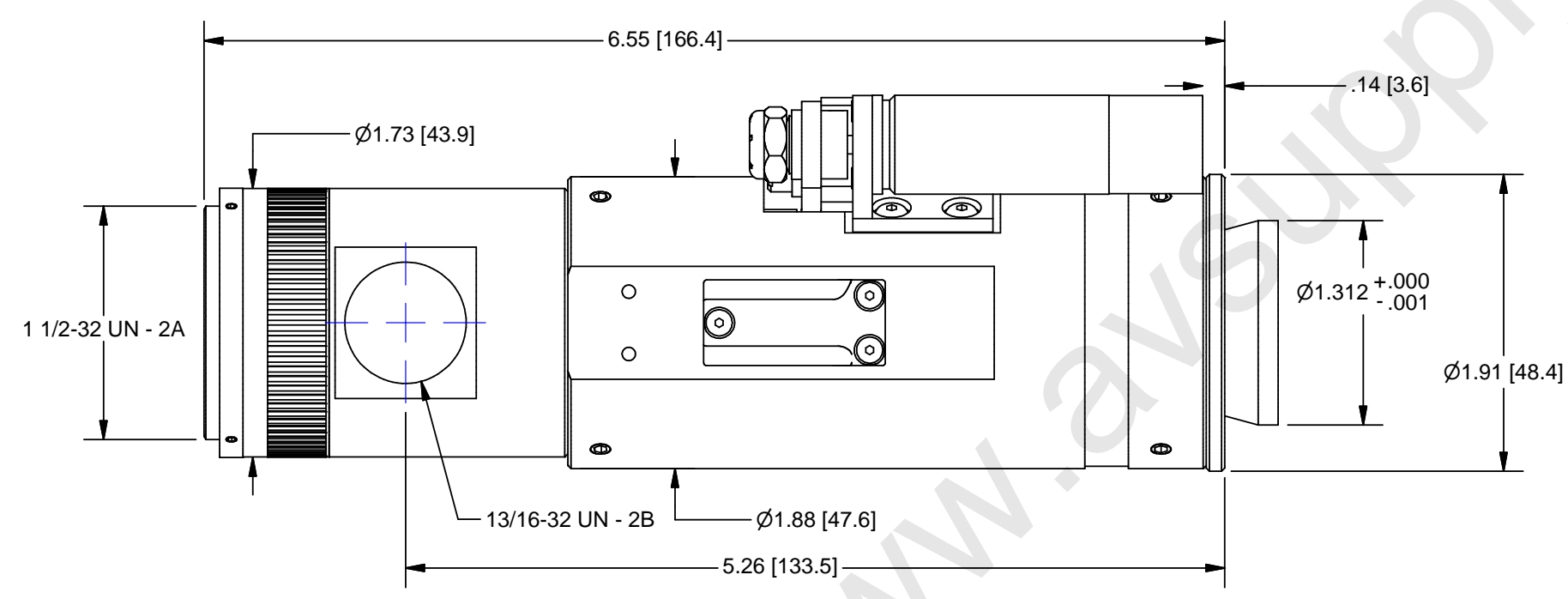
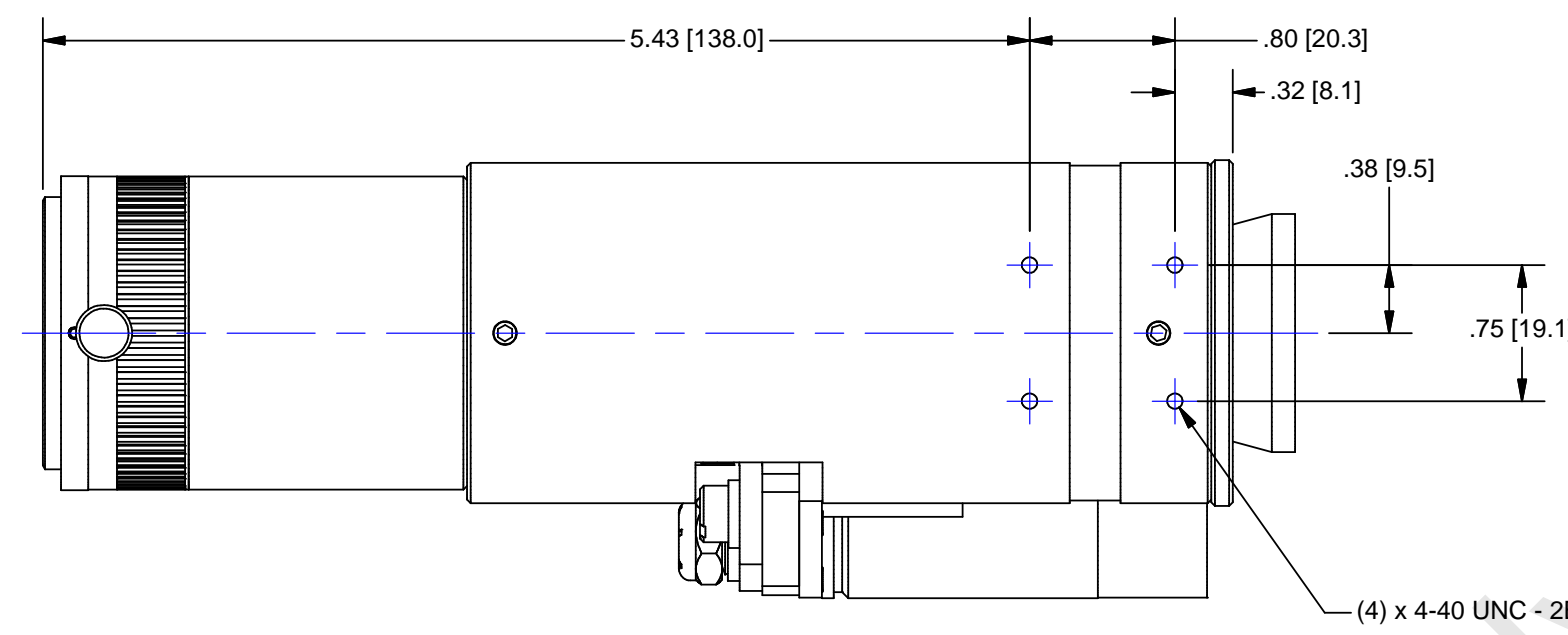
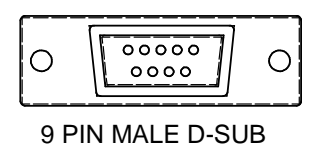


REV	CHANGE RECORD AND DATE	CH
A	RELEASE 09/04/03	



DC ENCODED PINOUT

- PIN 1 = MOTOR CH A
- PIN 2 = FAR LIMIT
- PIN 3 = N/C
- PIN 4 = +5Vdc
- PIN 5 = MOTOR +
- PIN 6 = MOTOR CH B
- PIN 7 = NEAR LIMIT
- PIN 8 = COMMON
- PIN 9 = MOTOR -

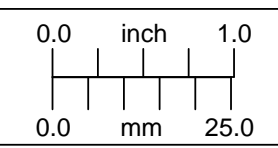


OUTLINE

USED ON:

MATERIAL:	UNLESS OTHERWISE SPECIFIED DIMENSIONS ARE IN INCHES AND INCLUDE CHEMICALLY APPLIED OR PLATED FINISHES	P/N SUFFIX DEFINITION -1 CONVERSION COATING -2 PAINTING -3 MARKING -R REWORK
	TOLERANCES: DEC. .XXX ± .005 DEC. .XX ± .010 FRACT. ± 1/64 ANGLES ± 30' CONCENTRICITY .003 TIR BREAK ALL SHARP EDGES .005 MIN. .010 MAX MAX. SURF. ROUGHNESS 32	SCALE: 1:1 DR.: R. PODLENA CH.: P. BONAFEDE APP.: DATE DR.: 9/16/2003 DO NOT SCALE DRAWING
FINISH:	CHAMFER ALL THREADS 30° TO ROOT DIAM.	

THE CONTENTS OF THIS DOCUMENT ARE PROPRIETARY TO NAVITAR, ITS USE IS AUTHORIZED ONLY FOR RESPONDING TO REQUEST FOR QUOTATION OR PERFORMANCE OF WORK FOR NAVITAR



NAVITAR
ROCHESTER, NEW YORK

MOTORIZED (ENC) 12X w/2 POS. LS

AUDIOVIDEO SUPPLY
1-800-284-2288 sales@avsupply.com
www.avsupply.com

Distributed By: Audio Video Supply -- Tel: 1-800-284-2288 -- www.avsupply.com

For design help, accessories or pricing, please contact: sales@avsupply or call: 1-858-565-1101