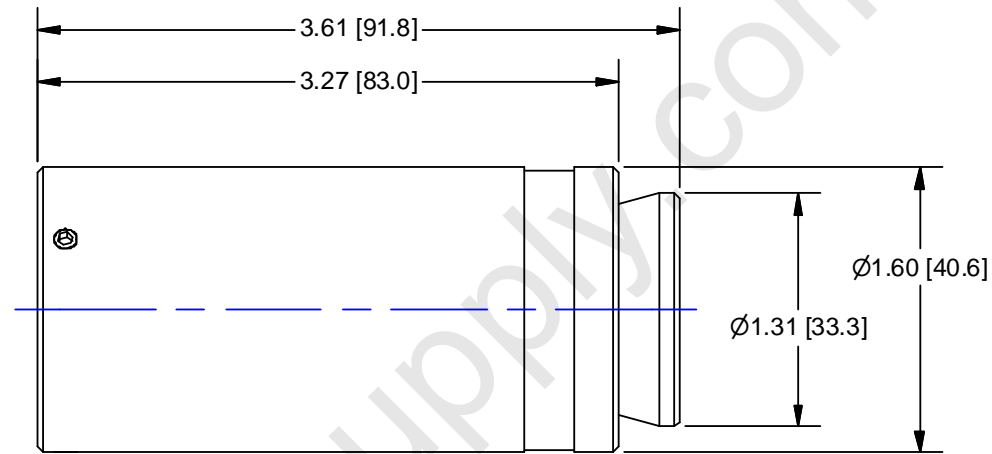


REV	CHANGE RECORD AND DATE	CH
-----	------------------------	----



OUTLINE

USED ON:

MATERIAL:

UNLESS OTHERWISE SPECIFIED
DIMENSIONS ARE IN INCHES AND
INCLUDE CHEMICALLY APPLIED
OR PLATED FINISHES

TOLERANCES AS FOLLOWS

DEC. .XXX ± .005
DEC. .XX ± .010
FRACT. ± 1/64
ANGLES ± 30'
CONCENTRICITY .003 TIR

BREAK ALL SHARP EDGES
.005 MIN. .010 MAX.

MAX. SURF. ROUGHNESS: 32

P/N SUFFIX DEFINITION

- 1 CONVERSION COATING
- 2 PAINTING
- 3 MARKING
- R REWORK

SCALE: 1:1

DR: R. PODLENA

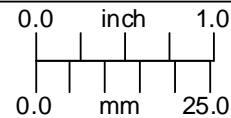
CH:

APP:

DATE DR: 4/25/2003

DO NOT SCALE DRAWING

THE CONTENTS OF THIS
DOCUMENT ARE PROPRIETARY
TO NAVITAR, ITS USE IS
AUTHORIZED ONLY FOR
RESPONDING TO REQUEST FOR
QUOTATION OR PERFORMANCE
OF WORK FOR NAVITAR



ROCHESTER, NEW YORK

1X NIRA

SIZE

1-60175 01

REV

A

SH

CHAMFER ALL THREADS 30'
TO ROOT DIAMETER

For design help, accessories or pricing, please contact:
sales@avsupply or call: 1-858-565-1101

AUDIOVIDEO SUPPLY
1-800-284-2288 sales@avsupply.com
www.avsupply.com