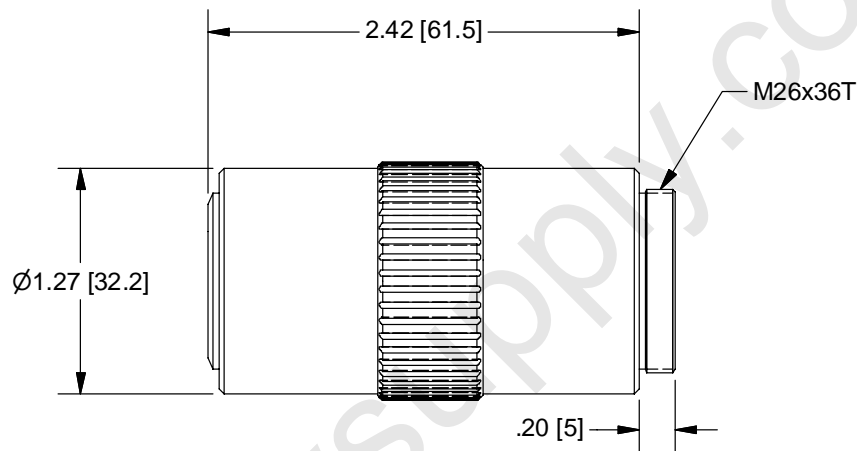

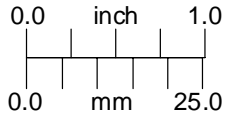
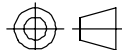


NA = 0.14  
 WD = 34.0mm



## OUTLINE

UNLESS OTHERWISE SPECIFIED DIMENSIONS ARE IN INCHES AND INCLUDE CHEMICALLY APPLIED OR PLATED FINISHES		THE CONTENTS OF THIS DOCUMENT ARE PROPRIETARY TO NAVITAR, ITS USE IS AUTHORIZED ONLY FOR RESPONDING TO REQUEST FOR QUOTATION OR PERFORMANCE OF WORK FOR NAVITAR		 ROCHESTER, NEW YORK	
SCALE:	1:1			OBJECTIVE, 5X, M-PLAN, APO	
WEIGHT:	200 grams				
DR:	DJM	DO NOT SCALE DRAWING		SIZE	1-60226
CH:	PB			A	REV
PROJECT #:					
DATE DR:	6/23/2003				

For design help, accessories or pricing, please contact:  
 sales@avsupply or call: 1-858-565-1101

  
 1-800-284-2288 sales@avsupply.com  
 www.avsupply.com