
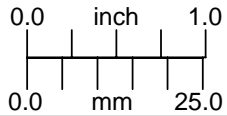

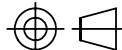


OUTLINE

UNLESS OTHERWISE SPECIFIED DIMENSIONS ARE IN INCHES AND INCLUDE CHEMICALLY APPLIED OR PLATED FINISHES		THE CONTENTS OF THIS DOCUMENT ARE PROPRIETARY TO NAVITAR, ITS USE IS AUTHORIZED ONLY FOR RESPONDING TO REQUEST FOR QUOTATION OR PERFORMANCE OF WORK FOR NAVITAR		 ROCHESTER, NEW YORK	
SCALE:	1:1			1X RIGHT ANGLE ADAPTER	
WEIGHT:	0.20lbm			SIZE	1-611R
DR:	ERTEL	A			
CH:	P. BONAFEDE				
PROJECT #:					
DATE DR:	2/14/2002	DO NOT SCALE DRAWING			

For design help, accessories or pricing, please contact:
 sales@avsupply or call: 1-858-565-1101

1-800-284-2288 sales@avsupply.com
 www.avsupply.com