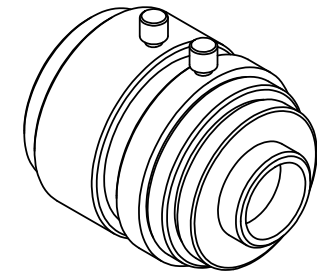
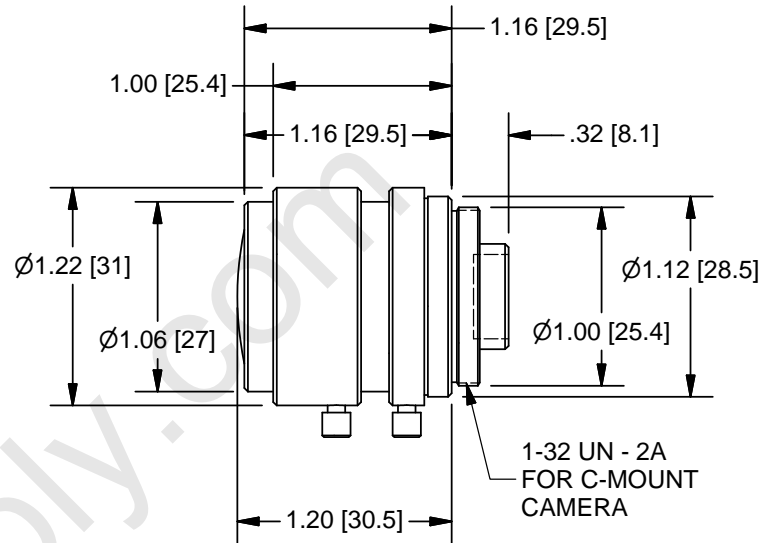
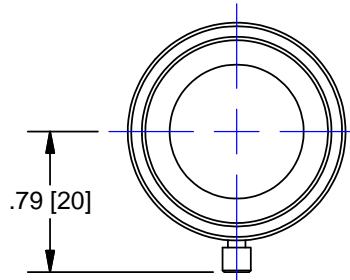


LENS SPECIFICATIONS - NMV6WA	
Specification	Value
Focal length	f=6.0 mm+/-5%
Max. Diameter (Ratio)	F=1:1.4+/-5%
Element	6 Group 7 Elements
Picture Size	4.8 x 6.4mm
Angle - Horizontal Vertical Diagonal	44.0 57.3 69.4
Distortion (TV)	-1.0%
Shooting Range @ M.O.D. - Horizontal Vertical Diagonal	128 mm 174 mm 221 mm
Minimum Object Distance	0.2m
Flange Back	17.526 mm in air
Back Focus	9.46mm in air
Filter Screw Size	M25.5 x 0.5
Effective Diameter - Front - Rear -	16.2 mm dia. 8.7 mm dia.
Mount	C - Mount
Exit Pupil	-77.3 mm
Temperature Range	-10 ~ +45 deg. C
Strong Temperature Range	-40 ~ +60 deg. C
Resolution - Center - Corner	100 Line/mm 60 Line/mm
Stopper Strength	10 kgf * cm
Endurance Tests - Iris - Focus -	5000 Times 5000 Times
Operating Torque - Iris - Focus -	50 ~ 600 gf * cm 100 ~ 1000 gf * cm
Weight -	60g+/-5g



## OUTLINE

UNLESS OTHERWISE SPECIFIED DIMENSIONS ARE IN INCHES AND INCLUDE CHEMICALLY APPLIED OR PLATED FINISHES	
SCALE:	1:1
WEIGHT:	See Table
DR:	BE
CH:	
PROJECT #:	E2338
DATE DR:	7/10/2007

THE CONTENTS OF THIS DOCUMENT ARE PROPRIETARY TO NAVITAR, ITS USE IS AUTHORIZED ONLY FOR QUOTATION OR PERFORMANCE OF WORK FOR NAVITAR	
0.0	1.0
inch	
0.0	25.0
mm	
DO NOT SCALE DRAWING	

 ROCHESTER, NEW YORK	
LENS, 6.0mm FL, WD. ANG., 1/2", f/1.4	
SIZE	NMV_6WA
A	REV
SH	

For design help, accessories or pricing, please contact:  
sales@avsupply or call: 1-858-565-1101

1-800-284-2288 sales@avsupply.com  
 www.avsupply.com