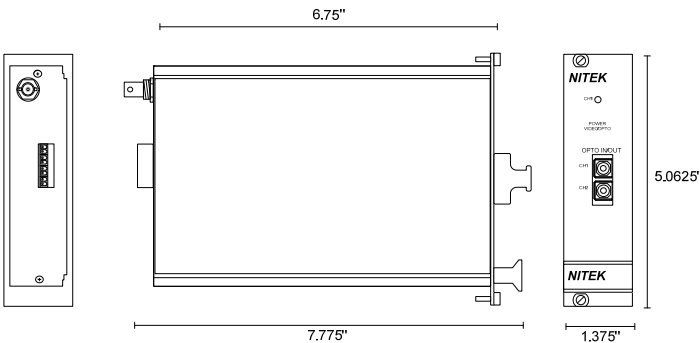


3000 Series



Rack Mount



Description

Nitek's **FRS312104R00** is a single fiber per channel Universal-Mode™ video and data receiver. Nitek's unique Universal-Mode™ optics allow the same unit to be used with single-mode or multi-mode fiber optic cabling types.

The **3000 Series** fiber optic transmission systems are designed to provide point-to-point, broadcast quality video transmission at an affordable cost, without compromise. The video is transmitted in a real time full bandwidth digital format. This insures the highest quality regardless of distance. By transmitting the video in an uncompressed format, there is no latency or loss of video quality.

An Automatic Gain control feature built into the receiver makes this a "plug-and-play" video system, requiring no field setup or adjustments. The unit is equipped with LED indicators which provide an at-a-glance operating and optics state.

The **3000 Series** 10 bit digital technology combined with ease of installation and inherent reliability have made this the system of choice for critical applications.

Features

- Real time 10 Bit digital video eliminates signal degradation associated with distance.
- Automatic Gain control minimizes setup and adjustment time.
- Switchable P/T/Z data interface allows interfacing with a wide range of manufacturers' protocols.
- Universal-Mode™ allows the same unit to be used with multi-mode or single-mode fiber without any set up or field configuration.
- Wide dynamic range. Provides "broadcast quality" video transmission.
- Directly supports all NTSC, PAL or SECAM video formats.
- Receiver is equipped with front panel LED status indicators to provide at-a-glance diagnostics of the systems video and optics state.
- Broad operating temperature range for use in protected outdoor applications.

Ordering Information

Fiber Type	Part #	Compatible Transmitter	# Fibers	Loss Budget	Connector	Max Distance
Multi-Mode 62.5/125µm	FRS312104R00	FTS312104S00	1	20dB	SC-PC	Multi-Mode Fiber 6,500 ft (1.2 miles)
Single Mode 9/125 µm						Single-Mode Fiber >130,000 ft (24.5 miles)
Description	FRS312104R00 Video and Data Receiver					
Accessories						



5410 Newport Drive, # 24
 Rolling Meadows, IL 60008
 Phone: (847) 259-8900
 Fax: (847) 259-1300
 E-mail: info@nitek.net
 WWW.NITEK.NET

FRS312104R00

Video and Data Receiver

FRS311000S00-032009

TECHNICAL SPECIFICATION

Video

Compression	None, Uncompressed
Input / Output Level	1V p/p nominal
Input / Output Impedance	75 Ohm Unbalanced
Frequency Response	10Hz to 5.75Mhz
Differential Gain	1%
Differential Phase	1°
Signal to Noise Ratio	67dB minimum
Fiber Connector	SC-PC
Video Connection	BNC
Video Standard	NTSC/PAL

Data

Data interface	RS232, RS422 (full duplex, two wire) RS485 (half duplex, two wire) Slide switch selectable
Data rate per channel	Up to 512kb/s

Auxiliary Communication

Bi-directional contact closure/alarms	
Alarm in	Contact/relay in
Alarm out	100V / 150mA max.

Audio

Not Available in 3000 Series See 5000 Series

Optical

Accepts both multi- and single-mode fiber	
Multi-mode	50/125 or 62.5/125
Single-mode	9/125
Wavelength	1310nm
Optical Connector	SC-PC
Path Loss	20dB min.

General

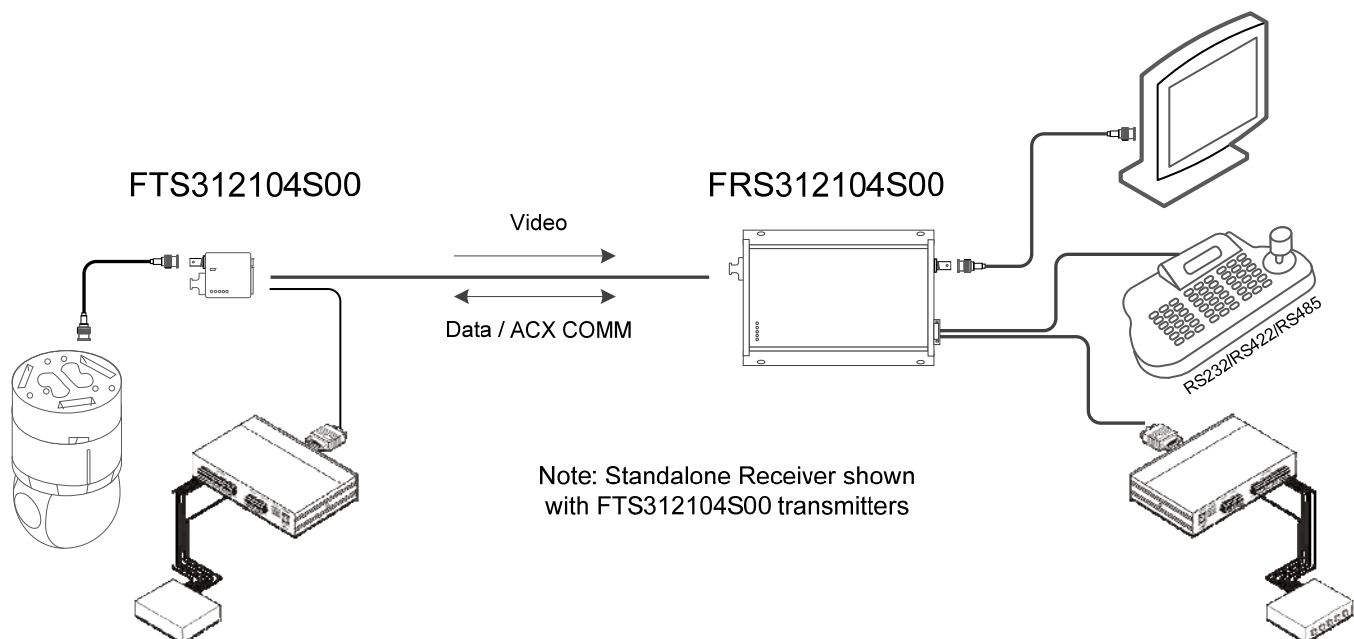
Operating Temperature	-40° to 165° Fahrenheit
Operating Humidity	0 to 95% non-condensing
Power Requirements	+12VDC to +24VDC ac/dc 1.5 Watts

Mechanical

Height	3U
Width	1 Card Slot
Depth	6.770"

In our continued effort to "Bridge the Gap in Technology", product specifications are subject to change without notice.

System Design



NITEK®



USA

5410 Newport Drive, # 24
Rolling Meadows, IL 60008
Phone: (847) 259-8900
Fax: (847) 259-1300
E-mail: info@nitek.net
WWW.NITEK.NET