

FTS344000R00

Four Channel Video Only Transmitter

FTS344000R00-031909

3000 Series

PRODUCT SPECIFICATION



Rack Mount

Description

Nitek's **FTS344000R00** is a four channel video only Universal-Mode™ transmitter. The system requires a single fiber per channel. Nitek's unique Universal-Mode™ optics allow the unit to be used with single-mode or multi-mode fiber optic cabling types.

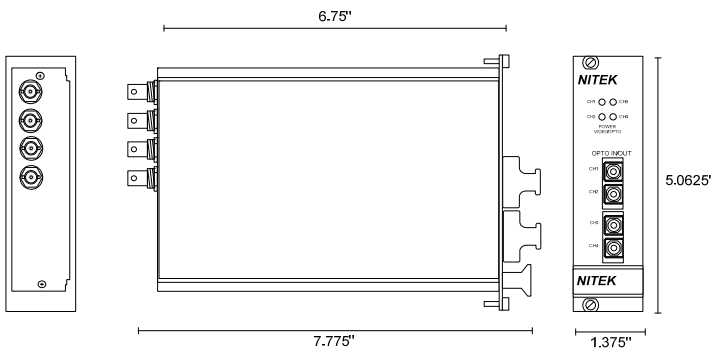
The **3000 Series** fiber optic transmission systems are designed to provide point-to-point, broadcast quality video transmission at an affordable cost, without compromise. The video is transmitted in a real time full bandwidth digital format. This insures the highest quality regardless of distance. By transmitting the video in an uncompressed format, there is no latency or loss of video quality.

An Automatic Gain control feature built into the **3000 Series** compatible receivers making this a "plug-and-play" video system, requiring no field setup or adjustments. The receivers are equipped with LED indicators which provide an at-a-glance operating and optics state.

The **3000 Series** 10 bit digital technology combined with ease of installation and inherent reliability have made this the system of choice for many critical applications.

Features

- Real time 10 Bit digital video eliminates signal degradation associated with distance.
- Automatic Gain control minimizes setup and adjustment time.
- Universal-Mode™ allows the same unit to be used with multi-mode or single-mode fiber without any set up or field configuration.
- Wide dynamic range. Provides "broadcast quality" video transmission.
- Compatible 3000 Series Receivers are equipped with front panel LED status indicators to provide at-a-glance diagnostics of the systems video and optics state.
- Directly supports all NTSC, PAL, or SECAM video formats.
- Broad operating temperature range for use in protected outdoor applications.
- Modular rack mount card provides flexible system design.



Ordering Information

Fiber Type	Part #	Compatible Receiver	# Fibers	Loss Budget	Connector	Max Distance
Multi-Mode 62.5/125µm	FTS344000R00	FRS344000R00	4	20dB	SC-PC	Multi-Mode Fiber 6,500 ft (1.2 miles)
Single Mode 9/125 µm		FRS344000S00				Single-Mode Fiber >130,000 ft (24.5 miles)
Description	FTS344000R00 Video Transmitter					
Accessories						



USA

5410 Newport Drive, # 24
 Rolling Meadows, IL 60008
 Phone: (847) 259-8900
 Fax: (847) 259-1300
 E-mail: info@nitek.net
 WWW.NITEK.NET

Video

Compression	None, Uncompressed
Input / Output Level	1V p/p nominal
Input / Output Impedance	75 Ohm Unbalanced
Frequency Response	10Hz to 5.75Mhz
Differential Gain	1%
Differential Phase	1°
Signal to Noise Ratio	67dB minimum
Fiber Connector	SC-PC
Video Connection	BNC
Video Standard	NTSC/PAL

Data

Bi-Directional Data available	3000 Series
-------------------------------	-------------

Auxiliary Communication

Auxiliary Communication available	3000 Series
-----------------------------------	-------------

Audio

Not Available in 3000 Series	See 5000 Series
------------------------------	-----------------

Ethernet

Not Available in 3000 Series	See 5000 Series
------------------------------	-----------------

Optical

Accepts both multi- and single-mode fiber	
Multi-mode	50/125 or 62.5/125
Single-mode	9/125
Wavelength	1310nm
Optical Connector	SC-PC
Path Loss	20dB min.

General

Operating Temperature	-40° to 165° Fahrenheit
Operating Humidity	0 to 95% non-condensing
Power Requirements	+12VDC to +24VDC ac/dc 1.5 Watts

Mechanical

Height	3U
Width	1Card Slot
Depth	6.770"

In our continued effort to "Bridge the Gap in Technology", product specifications are subject to change without notice.

System Design

