



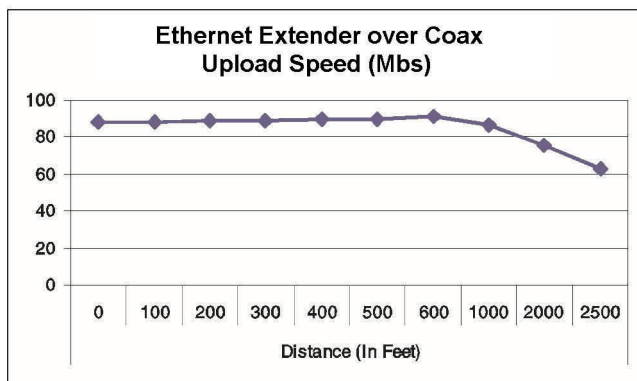
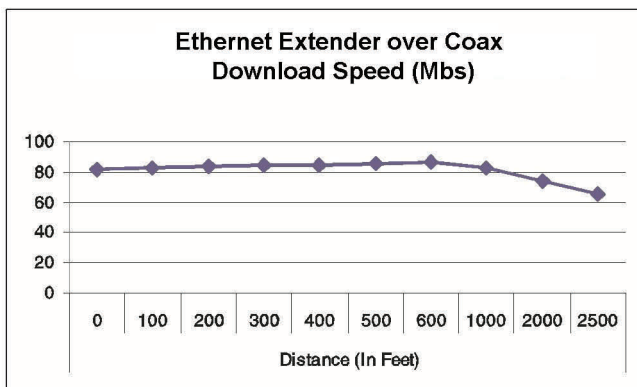
### Description

The **VR448COAX** integrates a 4 port PoE network switch with our already popular network extenders. The **VR448COAX** allows IP Ethernet transmission of network data to communicate over an existing coaxial cable for distances up to 2,500 feet (750 meters).

The **VR448COAX** consists of a transmitter and receiver set which requires very little installation time and absolutely no set up or configuration. Installation requires simply connecting the BNC connectors at each end of the existing coaxial cable to the transmitter and receiver of the **VR448COAX**. Once powered up the network switch transmitter will begin producing PoE for its connected devices that require power. The receiver instantly connects to the transmitter and begins operating as a full-duplex 100Base-TX Ethernet conduit. The **VR448COAX** is completely transparent to the network; it has no IP or MAC addresses and does not require any additional setup or programming. Connect your network devices by plugging their RJ45 connectors into the network ports of the transmitter and receiver. LEDs on the devices indicate the presence of power, transmission link and network signals for easy troubleshooting.

The **VR448COAX** extends network communications to overcome cable distance limitations offering connections to devices in locations traditional networking does not allow. The **VR448COAX** will auto-negotiate bandwidth to compensate for wire attenuation and losses that occur from wire length, signal noise and interference. (Please refer to cable distance and bandwidth charts for further review.)

The units are constructed of industrial grade RoHS compliant plated steel which is finished with a heat resistant powder coat paint making them very durable. They are designed to mount within the camera housing, in an equipment enclosure or simply wall mount the unit using the included mounting kit. For installation of several receiver units the RK124 rack mount kit allows for centralized power of the receiver units while maintaining an orderly installation.



### Features

- Transmits high speed Ethernet over legacy coaxial cable
- Transmits up to distances of 2,500 feet (750 meters)
- Integrated 4 port PoE unmanaged network switch
- Provides PoE on demand for up to four devices
- Supports mega-pixel cameras
- Supports multi-camera installations
- Fully transparent to the network
- Supports any network device, including IP cameras
- Dual stage surge protection
- Easy to install, no set up required
- No MAC or IP addressing required
- LED indicators for network signals, link status and power
- Rack-mount kit available for head-end



# TECHNICAL SPECIFICATION

## 4 Port PoE Switch with Network Extender

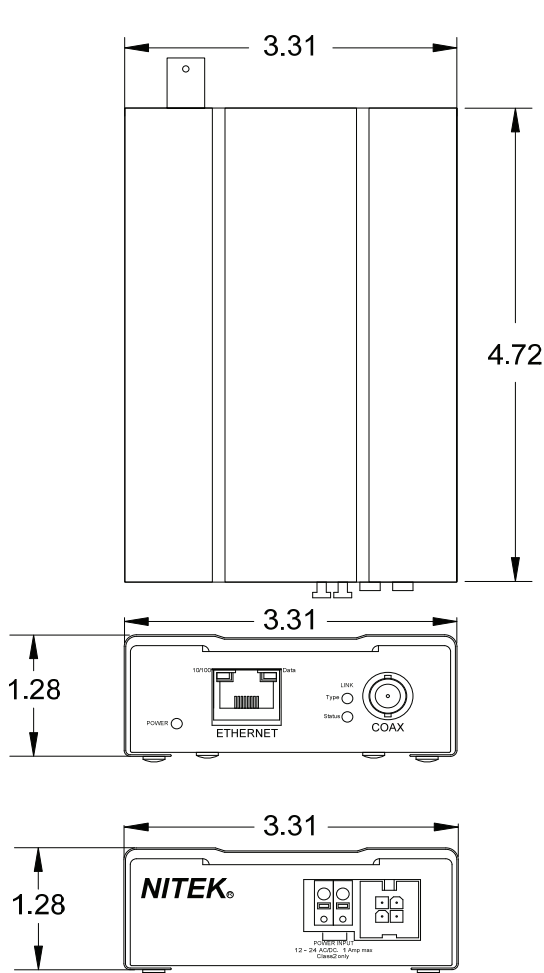
### Receiver Unit

Network Connection	RJ45 Connector
Coaxial Connection	BNC Connector
Power	24 VAC/VDC power supply
Network Rate	10/100 Ethernet
Shipping Weight (set)	5 lbs

### Transmitter Unit

Network Connection	RJ45 Connector
Coaxial Connection	BNC Connector
Power	48 VDC power supply
PoE Output	10 watts per port
Network Rate	10/100 Ethernet

**VR448COAX Receiver**



**VR448COAX Transmitter w/PoE**

