

ORION®

OIC® ORION IMAGES CORPORATION

SPECIALIZING IN LCD / LED MONITORS

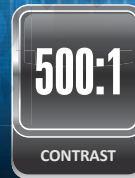
Distributed By: Audio Video Supply -- Tel: 1-800-284-2288 -- www.avsupply.com

VALUE LCD CCTV SERIES



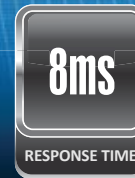
250 cd/m²

BRIGHTNESS



500:1

CONTRAST



8ms

RESPONSE TIME



TILT STAND

15RTV

BUILT TO RUN 24 X 7 X 365 CONTINUOUSLY

OVERVIEW

The ORION 15RTV LCD CCTV series is commercial grade - built to run 24 x 7 x 365 continuously. ORION Images is a true manufacturer of LCD CCTV monitors. The RTV series offers versatility with multiple input and output options for both security and industrial solutions.

FEATURES

- » 1024 x 768 Native Display Resolution
- » BNC Video 1 In / 1 Out, S-Video 1 In, HDMI 1 In, VGA 1 In, Audio 1 In, PC Stereo 1 In
- » 8ms, 250 Nits, 500:1 Contrast
- » 4:3 Aspect Ratio
- » 1W x 2 Built-In Speakers
- » Mount Options: Wall, Ceiling or Rack



Industrial



Interface



Flexible



Built to run 24 x 7 x 365
Continuously

GSA

Contract No. GS-03F-0152X

For design help, accessories or pricing, please contact:
sales@avsupply or call: 1-858-565-1101

AUDIO VIDEO SUPPLY
1-800-284-2288 sales@avsupply.com
www.avsupply.com

15RTV

VALUE LCD CCTV MONITOR

SPECIFICATIONS

| 15RTV | |
|-------------------------------|---|
| Display | |
| Screen Size | 15 Inch |
| Max. Resolution | 1024 x 768 @ 75Hz |
| Pixel Pitch | 0.297 x 0.297mm |
| Brightness | 250cd/m ² |
| Contrast Ratio | 500 : 1 |
| Aspect Ratio | 4 : 3 |
| Viewing Angle (H/V) | 150° / 130° |
| Display Color | 16.2 Million |
| Response Time | < 8ms |
| Video System | NTSC / PAL |
| Interface | |
| Video In / Out (BNC Type) | 1 In / 1 Out |
| HDMI In | 1 In |
| S-Video In / Out | 1 In |
| VGA In (15Pin D-Sub) | 1 In |
| Audio In (RCA Type) | 1 In |
| PC Stereo In | 1 In |
| Transmitter | |
| Remote Control | Optional |
| Audio | |
| Built-in Speakers | Yes (1W x 2) |
| Features | |
| Filter Type | N/A |
| LCD Protection Glass | N/A |
| Multi Language | English, Spanish, French, German, Italian |
| General | |
| Outline Dimension (W x H x D) | 14.37" x 13.39" x 7.48" |
| Net Weight | 2.3Kg (5.1lbs) |
| Material / Color | ABS Plastic / Black |
| Desk Top Stand | Tilt Back |
| Part / Labor | 2year / 2year |
| Consumption: < On | < 25W |
| | AC100 ~ 240V(50/60Hz) |
| Electrical Ratings | DC12V / 3A |
| Operating Temperature | 0 ~ 40° C / 32 ~ 104° F |
| Storage Temperature | -20 ~ 60° C / -4 ~ 140° F |
| Mounts | |
| VESA™ Mount Size | 75 x 75mm |
| Wall | WB-5, WB-10, WB-30, WB-31 |
| Ceiling | CMK-01 |
| Rack | RMK-08 |

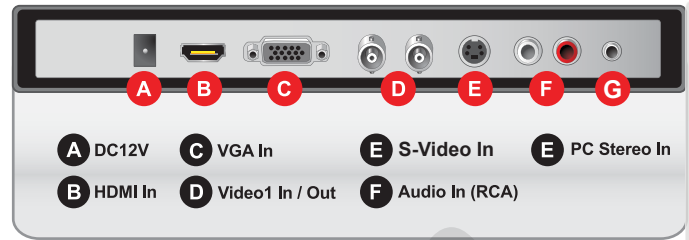
*Design and specifications are subject to change without notice

TILT CAPABILITY

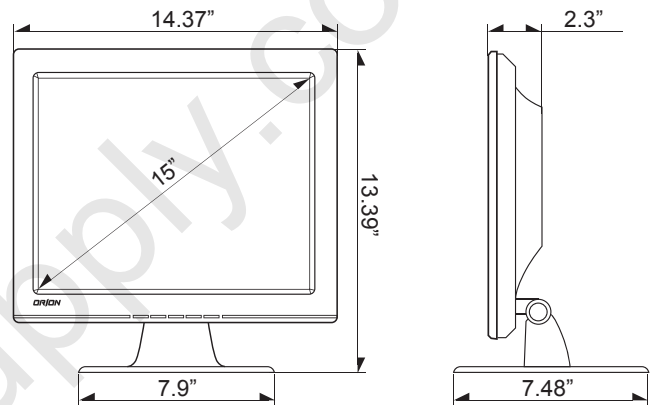
RTV series has flexible tiltable desktop stand capability



INPUT INTERFACE



DIMENSIONS



OPTIONAL MOUNTS



Distributed By: Audio Video Supply -- Tel: 1-800-284-2288 -- www.avsupply.com