

LED

FULL HD 1080p



## SPECIAL FEATURES

The ORION LCD w/ LED BLU (backlight unit) high brightness displays are a truly professional experience in next generation technology using eco-friendly material (no mercury or halogen). This technology exceeds the NTSC color gamut standard of 100% with the LED BLU at 123% to provide a wider range of colours than ever before – you will see colors on screen as you see them in real world.

- 1920 x 1080p Full HD
- LED BLU (Back Light Unit) Display Monitor
- DVI-D 1 In / VGA 1 In, PC Stereo 1 In
- 5ms Response, 300 NITS
- 1000:1 Contrast Ratio
- Auto Color Balance Function
- VESA Mount Compatible
- Wall and Ceiling Mount

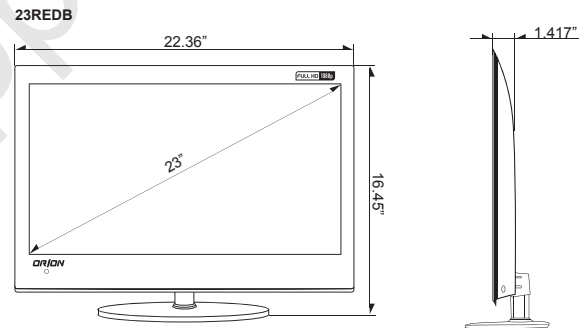


## SPECIFICATIONS

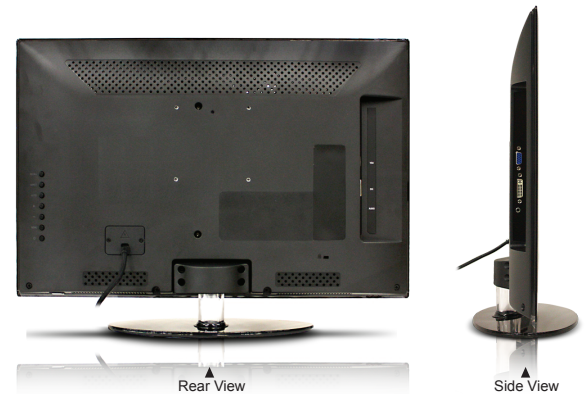
|                       |                             | 23REDB                                 |
|-----------------------|-----------------------------|--|
| Display               | Screen Size                 | 23 Inch                                |
|                       | Panel Type                  | LED BLU                                |
|                       | Max. Resolution             | 1920 x 1080 @ 60Hz                     |
|                       | Pixel Pitch                 | 0.265 x 0.265 mm                       |
|                       | Brightness                  | 300cd/m <sup>2</sup>                   |
|                       | Contrast Ratio              | 1000 : 1                               |
|                       | Aspect Ratio                | 16 : 9                                 |
|                       | Viewing Angle (H/V)         | 176° / 176°                            |
|                       | Display Color               | 16.7 Million                           |
|                       | Response Time               | < 5ms                                  |
| Interface             | Video System                | NTSC / PAL                             |
|                       | DVI-D In                    | 1                                      |
|                       | VGA In (15Pin D-Sub)        | 1                                      |
| Audio                 | PC Stereo In                | 1                                      |
|                       | Built-In Speaker            | Yes (2W x 2)                           |
| Features              | Auto Color Balance          | Yes                                    |
|                       | Multi Language              | English, Dutch, Spanish, French, Korea |
| Dimension (W x H x D) | Outline Dimension (w stand) | 22.36" x 16.45" x 1.417"               |
|                       | Net. Weight                 | 4.99Kg (11.02 lbs)                     |
|                       | Material / Color            | ABS Plastic / Black                    |
| Cabinet               | Desk Top Stand              | Yes                                    |
|                       | Tilt Function               | Yes                                    |
| Warranty              | Part / Labor                | 2year / 2year                          |
|                       | MTBF (Approx.)              | 30,000 Hours                           |
| Regulations           |                             | RoHS, UL, FCC (A), TUV/GS, CE, RRL     |
| Power                 | Consumption: < On           | < 35 W                                 |
|                       | Electrical Ratings          | AC110 ~ 230V(50/60Hz)<br>DC12V / 3.7A  |
| Circumstance          | Operating Temperature       | 0 ~ 50°C / 32 ~ 122°F                  |
|                       | Storage Temperature         | -20 ~ 60°C / -4 ~ 140°F                |
| Mounts                | VESA® Mount Size            | 75 x 75mm                              |
|                       | Wall                        | WB-5, WB-10, WB-30, WB-31              |
|                       | Ceiling                     | CMK-01                                 |

\*Design and specifications are subject to change without notice

## DIMENSIONS



## OTHER VIEW



Distributed By: Audio Video Supply -- Tel: 1-800-284-2288 -- www.avsupply.com