



# CHDC-22BHSC

**2.2M FULL HD HIGH SPEED CAMERA WITH SDI AND HDMI OUTPUT**

**FULL HD**

1920 x 1080 60p / 50p / 60i / 50i or 1280 x 720 / 60p / 50p

**Video Output**

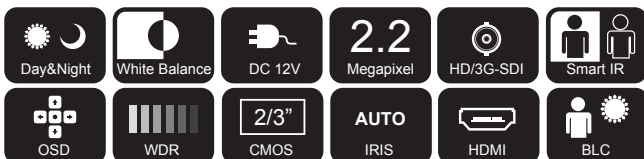
## SPECIAL FEATURES

- » 2.2M CMOS Image Sensor
- » Full HD 1920 x 1080p (Max. 340fps)
- » HD 1280 x 720p (Max. 500fps)
- » D1 720 x 480 (Max. 745fps)
- » HDMI, SDI, CVBS Video Output Support
- » Internal 8GB Memory
- » H.264 Compression backup
- » High speed image sensor raw video full frame Host transmit & interface
- » On Screen Display
- » 340 frame internal DDR memory recording & real 30 frame, 60frame display

## OUTPUT INTERFACE



- 1 **Setup Switch**  
*Used for setting the camera's functions*
- 2 **HDMI Out Terminal**  
*HDMI terminal for HD-SDI video signal output.*
- 3 **IRIS Connection**  
*DC IRIS Jack Connection*
- 4 **HD-SDI Video Out Terminal**  
*BNC terminal for HD-SDI video signal output.*
- 5 **Main Cable Terminal**  
*6 pin main cable connector.*
- 6 **Power LED**  
*Indicate when the power is applied to the camera.*
- 7 **HOST I/F**
- 8 **External Memory**
- 9 **Control I/F**



# CHDC-22BHSC

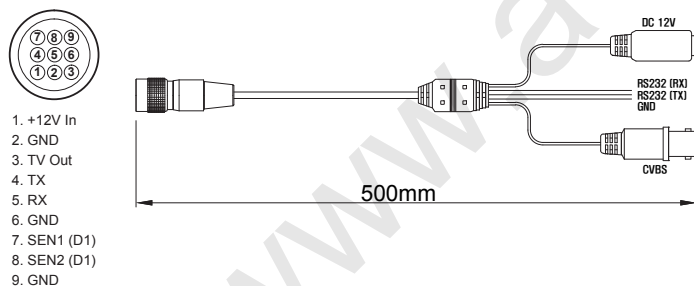
FULL HD HIGH SPEED CAMERA WITH **SDI & HDMI** OUTPUT

## SPECIFICATIONS

CHDC-22BHSC	
Image Sensor	Max resolution@rate: 2048x1088p @340fps
Recording Memory	Internal 8GB (max. 2048 x 1088 @ 340fps)
Live Display resolution	Max. 1920 x 1080p @ 60fps
Play Display resolution	Max. 1920 x 1080p @ 60fps
Recording Image Compress	H.264 Max, 1920 x 1080p @ 30fps
Control I/F	Recording / Play trigger & OSD button External trigger I/F
External Memory	Micro SD (T-Flash) H.264 compress image recording
Display Output Port	HDMI x 1 port SDI x 1 Port CVBS x 1 Port (include Multi-cable)
HOST I/F	Max. 3Gbps 4Lane Host I/F Channel (HDMI connect I/F)
I/O I/F	RS232 x 1 port, D1 x 1 Port, IR-Remote
Power	DC +12V
Total Pixels	2048(H) x 1088(V) / 2,228,224 (Pixel)
Active Pixels	1920(H) x 1080(V) / 2,073,600 (Pixel)
Scanning System	Progressive Scan (Sync System Internal)
VIDEO Output	HD-SDI, HDMI, CVBS Max.1920 x 1080p @ 60
Min. Illumination	5.56V / Lux
LENS Mount	C, CS
Serial Port	RS-232
IRIS	Yes
OSD	Yes
Power Supply	DC12V / 1.0A
Dimensions (mm)	209.7(W) x 78.78(H) x 98.1(D)
Net Weight	1.4 Kg

\*Design and specifications are subject to change without notice

## MAIN CABLE CONFIGURATION



## APPLICATION

The new ORION Images CHDC-22BHSC HD CCTV 2.1 Mega pixel Camera can be used in Broadcast Security and Sport applications.



▲ Sporting Events



▲ Educational

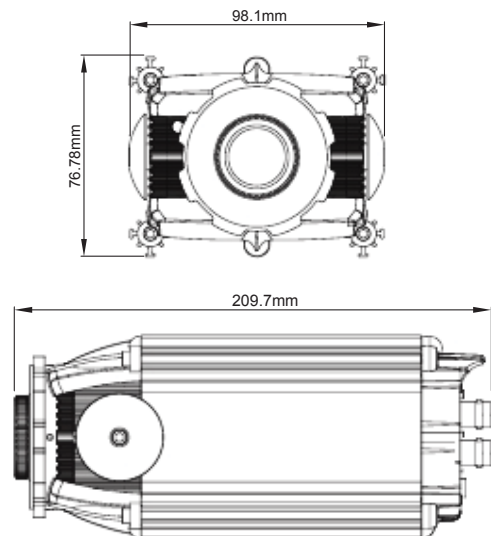


▲ Manufacturing Process

## WHAT IS BETTER WITH CHDC-22BHSC

- High Frame per Second than normal HD-SDI Security camera (Motion video with better Movement)
- Multi Output of HDMI, HD-SDI, CVBS
- 1920 x 1080p @ 340 frame rate
- 340 frame internal DDR memory recording & real 30 frame, 60frame display
- Recording video H.264 compression & SD Card recording
- High speed image sensor raw video full frame Host transmit & interface

## DIMENSION



Distributed By: Audio Video Supply -- Tel: 1-800-284-2288 -- www.avsupply.com