

VIDEO WALLS TILE SYSTEM

ORION's RNK22SNH square tile LCD display system is a dynamic alternative to traditional rectangular displays. Flexible enough to be used in unlimited configurations while creating an immersive visual experience.

RNK22SNH NEW



ORION RNK22SNH tile system LCD display solution is technologically advanced energy efficient LED backlighting is merged with an ultra narrow 5.5mm bezel-to-bezel seam to create a stunning space saving installation. ORION's 21.6 inch 1:1 aspect ratio tiles utilize high resolution 960 x 960 panels to enhance any HD content. Digital and analog loop out (DVI, HDMI, and VGA) allows a single image to be displayed across up to 100 video tiles for limitless video wall artistic design possibilities.

 Backlight Unit	 HDMI Input	 RS-232 Input	 DVI Input	 VGA Input	 PIP / PBP	 Auto Power Recovery
--------------------	----------------	------------------	---------------	---------------	---------------	-------------------------

VIDEO TILE DISPLAY SYSTEM FOR UNIQUE VIDEO WALL & SIGNAGE CREATION

ORION's RNK22SNH square tile LCD display system is a dynamic alternative to traditional rectangular displays. Flexible enough to be used in unlimited configurations while creating an immersive visual experience. x 10 configuration.

No longer limited by legacy large format display technologies, professionals are now able to create more functionally designed video walls to better fit the needs of the application and businesses can create even more immersive point-of-sale and advertising displays to engage consumers. The RNK22SNH is the next step in digital display solutions.

SUPER NARROW BEZEL

5.5mm

5.5mm

RNK22SNH video wall's bezel width is 5.5mm two sides of the monitor.

- » Security / Control Rooms
- » Retail
- » Universities & colleges
- » Corporations
- » Transportation
- » Health Care & Medical
- » Government
- » Financial Institutions
- » Hospitality
- » Gaming



For design help, accessories or pricing, please contact: sales@avsupply.com or call: 1-858-565-1101

AUDIOVIDEO SUPPLY

1-800-284-2288 sales@avsupply.com
www.avsupply.com

Distributed By: Audio Video Supply -- Tel: 1-800-284-2288 -- www.avsupply.com

SPECIFICATIONS

RNK22SNH	
Bezel Width	
Bezel to Bezel	5.5mm
Display	
Screen Size	21.6 Inch
Max. Resolution	950 x 950 pixels
Pixel Pitch	0.4035 x 0.4035mm
Brightness	450cd/m ²
Contrast Ratio	4000 : 1
Aspect Ratio	1 : 1
Viewing Angle	178° / 178°
Display Color	16.7 Million
Response Time	< 8ms (Gray to Gray)
Video System	NTSC / PAL
Interface	
HDMI In / Out	1 / 1
VGA In / Out (15Pin D-Sub)	1 / 1
DVI-D In / Out	1 / 1
RS232 In / Out	1 / 1
PC Stereo In	1
Transmitter	
IR Remote Control	Yes
Magnetic Key Button Control	Yes
Features	
Multi Display Function	PBP / PIP
Temperature Sensor	Option
Filter Type	3D Comb Filter
De-Interface	Yes
Noise Reduction	Yes
One Image Up to 10 x 10	Yes
Advance Auto Power Recovery	Yes
Auto Pixel Shift	Yes
Trigger Source Switching	Yes
Auto Source Switching	Yes
Edge Setting (Horizontal / Vertical)	Yes
Multi Language	English, Spanish, French, German, Italian
RS-232C Control	Monitor OSD control using PC
Cabinet	
Color	Black
Material	Electro-Galvanized Steel
Outline Dimension	
Dimension (W x H x D)	15.483" x 15.483" x 3.937"
Net. Weight	7.98Kg (17.6 lbs)
Warranty	
Part / Labor	2year / 2year
Circumstance	
Operating Temperature	0° ~ 40° C / 32° ~ 104° F
Power	
Electrical Ratings	AC 100 ~ 240V (50/60Hz)
Power Consumption	< 64W
Mount	
VESA™ Mount Size	300 x 300mm
Stand Alone	WB-2642

MOUNTS



- WB-2642 | Slim Tilt**
- Fits 26"-47" flat panel
 - Depth from Wall 1.8"
 - 10° adjustable tilt
 - Mounting patterns up to 405 x 410mm
 - Max weight 165 lbs



- FMA-06 | Adapter**
- Optional mount adaptor for multiple VESA mount usage



- Joint Bracket**
- Built-in the joint brackets easy to assemble 2 x 2 configuration

SOFTWARE

Video Wall Control Management S/W features:

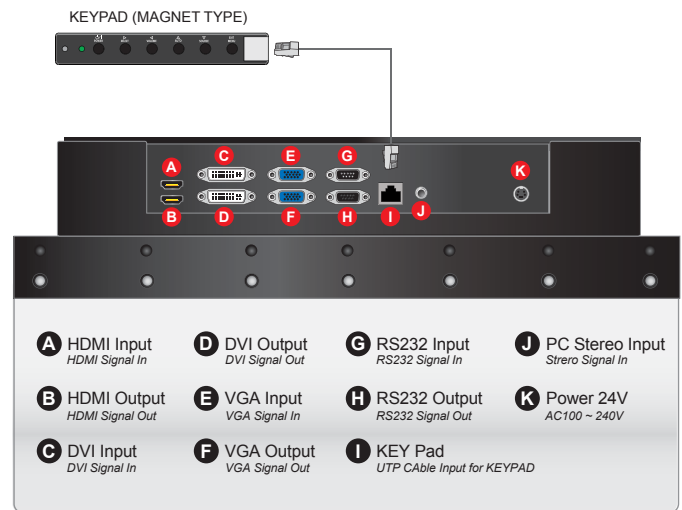
- ▶ Extremely easy to use
- ▶ Control each display Separately or All at once
- ▶ Select 1 or multiple monitor viewing configurations
- ▶ Multi Vision options: example - 5 x 5 (boarder) from DVI and 3 x 3 (in the center)
- ▶ Schedule a sequence of multiple display content configurations
- ▶ File Management – Save and store edited contents for easy replay access
- ▶ Select input source
- ▶ Menu lock out (IR or panel)
- ▶ Power control – On / Off
- ▶ Color setting (RGB) & Brightness
- ▶ Edge setting (horizontal & vertical gap)

HARDWARE

Hardware features:

- ▶ Spread 1 image across multiple monitors using 1 video source
- ▶ Configure up to a 10 x 10
- ▶ Video Wall Processor built in
- ▶ Stylish Slim & Ultra Slim Bezel Design
- ▶ Remote Display Management
- ▶ Landscape and Portrait
- ▶ DVI-D & HDMI In / Out
- ▶ VGA In / Out
- ▶ RS-232C In / Out for pc / server control
- ▶ Control panel Lock (panel or IR)
- ▶ All metal chassis
- ▶ Auto power recovery
- ▶ Auto pixel shift
- ▶ PIP / PBP – Dual signal In
- ▶ VESA standard hole patterns

INTERFACE



*Design and specifications are subject to change without notice