

### PUSH-IN POP-OUT VIDEO WALL MOUNT



10.69" EXTENSION



VIDEO WALL



UP TO 200 LBS

# WBLS2

BUILT TO RUN 24 X 7 X 365 CONTINUOUSLY

## OVERVIEW

The ORION Images's best value in class Video Wall Mount System features lateral, vertical, horizontal, and plumb adjustments that enable quick installation, easy operation and simple maintenance. Our proprietary Push in - Pop out™ Technology allows a single display to be accessed without any disruption to the rest of the matrix, and the entire grid can be laid out by a single installer.



## FEATURES

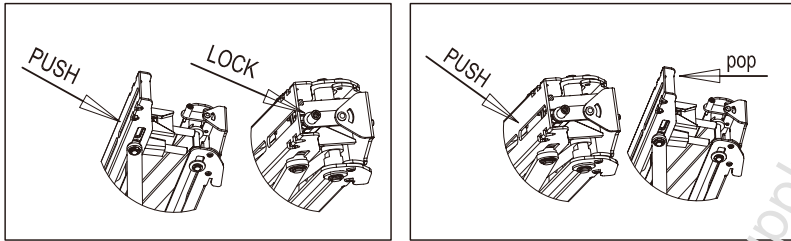
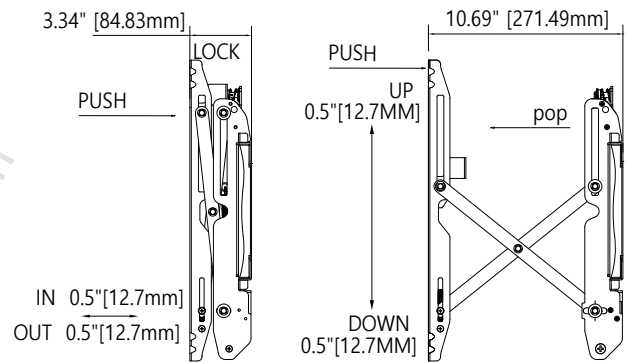
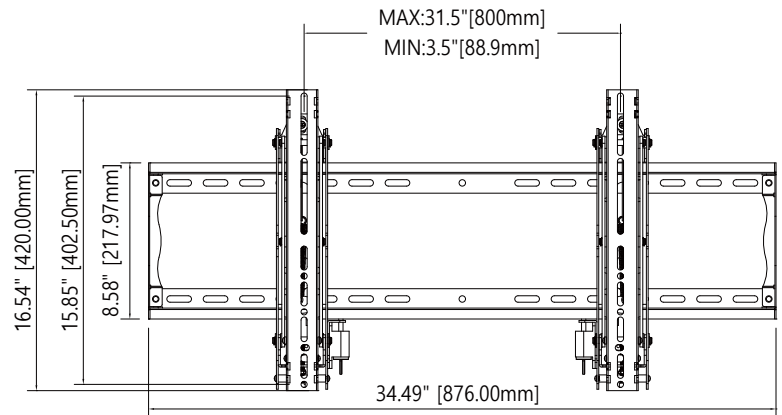
- » Universal Design/VESA Compatible : Fits any hole pattern up to 800x400mm.
- » Extendable : Extends up to 10.69" for easy access and wiring.
- » Screen Size Variety : Fits most 37" to 75" flat panel screens weighing up to 200lb (91kg).
- » Adjustment : Features lateral, vertical, horizontal and plumb adjustments that enables easy operation and simple maintenance.
- » Easy Installation : Multiple adjustment points make installation fast and easy
- » Cable Management : Integrated cable management for a clean look.
- » Included Hardware : Pre-sorted hardware pack for easy component selection and installation (hardware for installation to wood studs or concrete surfaces included).

### SPECIFICATIONS

| WBLS2                          |   |
|--------------------------------|---|
| TV size range                  | 37 - 75"  |
| Color                          | Black   |
| Lateral Adjustment             | varies with screen  |
| Maximum Extension              | 10.69" (271.49mm)   |
| Minimum Depth                  | 3.34" (84.83mm)   |
| Mounting Pattern Compatibility | 100x100mm, 200x100mm, 200x200mm, 300x200mm, 300x300mm, 400x300mm, 400x400mm, 600x400mm, 800x400mm |
| Mounting Surface               | wood stud, concrete, cinder block or metal stud (accessory required HT4)                          |
| Construction                   | high-grade cold rolled steel  |
| Product finish                 | scratch resistant epoxy powder coat   |
| Dimensions (W x H x D)         | 34.49" x 16.54" x 3.34"   |
| Product Weight                 | 16lbs (7.3kg)   |
| Weight Capacity                | 200 lbs (91kg)  |

\*Design and specifications are subject to change without notice

### DIMENSIONS



### CAPABILITY

**Lateral Adjustment**  
Left to right lateral adjust at wall plate.

**Vertical Adjustment**  
One inch of vertical adjustment.

**Plumb Adjustment**  
Adjusts pitch of the screen.

**Push-in Pop-out Technology**  
Display can be accessed without disrupting the rest of the matrix.

**Lock**  
One touch lock and key system for added security.