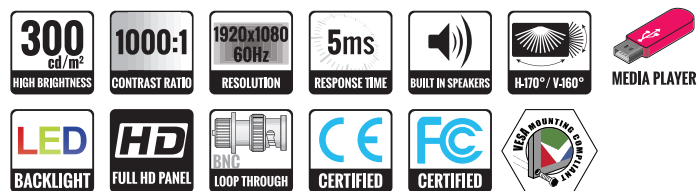


## HYBRID PREMIUM FULL HD LED CCTV MONITOR

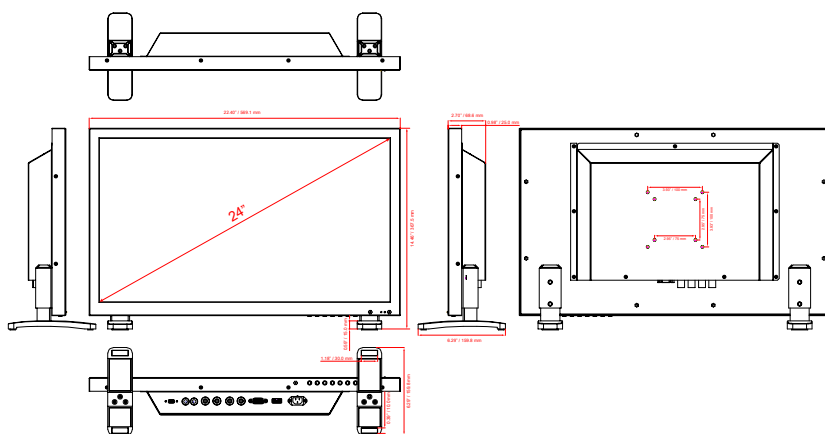


MODEL #		VZ-24HX
<b>VIDEO</b>		
Screen Size	24"	
Max. Resolution	1920 x 1080 @60Hz	
Pixel Pitch	0.2715 mm x 0.2715 mm	
Brightness	300cd/m <sup>2</sup> (Typical)	
Contrast Ratio	1000:1	
Aspect Ratio	16 : 9	
Viewing Angle (H/V)	170° / 160°	
Display Color	16.7 Million	
Response Time	< 5ms	
Video System	NTSC / PAL	
<b>INTERFACE</b>		
BNC (AHD, TVI, CVI) In / Out	1 / 1	
BNC (CVBS) In / Out	1 / 1	
USB In (Media Player)	1	
VGA In (15Pin D-Sub)	1	
HDMI In	1	
PC Audio In / AV Audio In	1 / 1	
<b>AUDIO</b>		
Built in speaker	5W X 2	
<b>SPECIAL FEATURES</b>		
Filter Type	3D Comb-filter / De-Interlace	
Image Retention	YES	
Hybrid Input - AHD, TVI, CVI	Support	
Multi-lingual Language	English, Deutsch, French, Spanish, Italian	
<b>MEDIA PLAYER</b>		
External Storage	Support SD CARD (Max.64GB), USB (2TB)	
VIDEO Format	RM, RMVB, AVI, DVIX, MKV, MOV, HDMOV, MP4, M4V, PMP, AVC, FLV, VOB, MPG, DAT, MPEG, TS, TP, M2TS, WMV, H.264, H.263, WMV9, VC-1, MPEG1/2/4	
AUDIO Format	MPEG1/2/4, MP3, WMA, OGG, AAC, FLAC, APE, AC-3, DTS, ATRAC, WAV, PCM	
Image Format	JPEG, TIF, PNG, BMP	
VIDEO Resolution	1080P @60Hz	
<b>DIMENSIONS &amp; WEIGHT</b>		
Outline Dimension (W x H x D) (Including Stand)	22.40" x 14.46" x 6.29"	
	569.1mm x 367.5mm x 159.8mm	
Net Weight / Gross Weight	17.63 lbs ( 8.0 kg ) / 25.35 lbs ( 11.5 kg )	
<b>MOUNT</b>		
VESA	75mm x 75mm	
	100mm x 100mm / 4 x (M4 x L10) Screws	
<b>GENERAL</b>		
Power	Electrical Ratings	AC100 ~ 240V(50/60Hz)
	Consumption	≤ 40 W
Warranty	Parts/ Labor	3 Year / 3 Year
Operating Temperature	14 - 122°F / -10°C ~ 50°C	
Regulation	CE, FCC (A), ROHS	
Compatible Mounts	Wall	VZ-AM02, VZ-WM50
	Ceiling	VZ-CMKIT-01, VZ-CMKIT-02

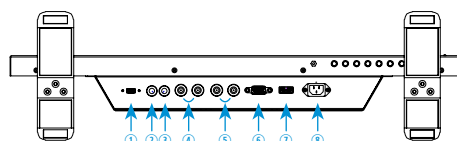
## VZ-24HX ADVANTAGES

- 24" 1080p CCTV LED Monitor
- 3D Comb-filter, De-interlace
- 16:9 / 4:3 Ratio Available, HDMI, VGA, PC Audio, AV Audio
- 1 Hybrid BNC (AHD2.0 / HD-TVI / HD-CVI) Input / Output (Loop-through)
- 1 BNC (CVBS) Input / Output (Loop-through)
- Built-in Speakers, Auto Source & Power Recovery
- USB - Media Player
- 3-Year Warranty

## DIMENSIONS



## INTERFACE



1. USB IN
2. PC Audio IN
3. AV Audio IN
4. BNC (AHD, TVI, CVI) IN / OUT
5. BNC (CVBS) IN / OUT
6. VGA IN
7. HDMI IN
8. AC 110V IN

## Contact ViewZ

- Address : 177 W. Orangethorpe Ave., Placentia, CA 92870
- Phone : (714) 996-1177, Fax : (714) 996-1138
- Sales : sales@viewzusa.com
- Specification subject to change without notice.