

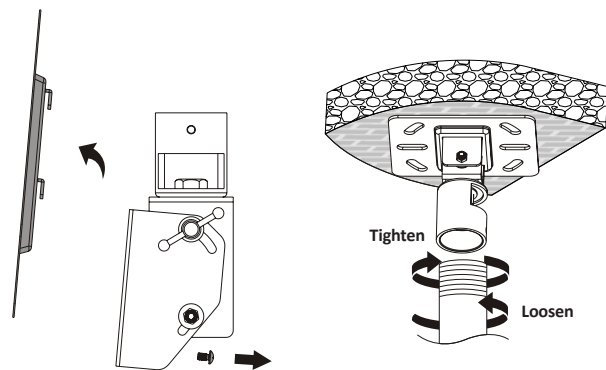
VZ-CMKiT-01 ADVANTAGES

- Mounting head for 23" to 42" CCTV & video wall monitors
- Load capacity is 50 kg / 110 lbs
- Additional features allow 5° tilt up and 12° tilt down adjustment as well as 360° pan rotation for achieving that perfect viewing angle
- VESA Standard - 75x75, 100x100, 200x100 and 200x200
- Easy cable management
- Connect to standard pole size - 1-1/2" (38.1mm)
- Pole not included

Designed specifically for

- VZ-23LED-P
- VZ-23LED-E
- VZ-23 IP-PVM
- VZ-23PVMZ
- VZ-27 IP-PVM
- VZ-27PVMZ
- VZ-32 IP-PVM
- VZ-32PVMZ
- VZ-24/27/32 RTHL

FEATURES



MODEL #	VZ-CMKiT-01
FEATURES	
Net Weight	6.21 lbs / 2.82 kg
Weight Capacity	110 lbs / 50 kg
Display Range	23" ~ 42"
VZ-CM-V1 Plate Size (W x H x D)	904 x 440 x 103 mm / 35.59 x 17.32 x 4.05"
VZ-CM-V1 Pole (R x Length)	Ø 38.1 x 76mm / Ø 1.5 x 3"
VZ-CM-T Plate Size (W x H x D)	150 x 120 x 53mm / 5.9" x 4.72" x 2.08"
VZ-CM-T Pole (R x Length)	Ø 38.1 x 76mm / Ø 1.5 x 3"
PAN Rotation	360 °
Tilt Capability (VZ-CM-V1 / VZ-CM-T)	+5° ~ -12° / ± 80 °
Mounting Patterns Type	VESA
Mounting Patterns	75x75, 100x100, 200x100, 200x200

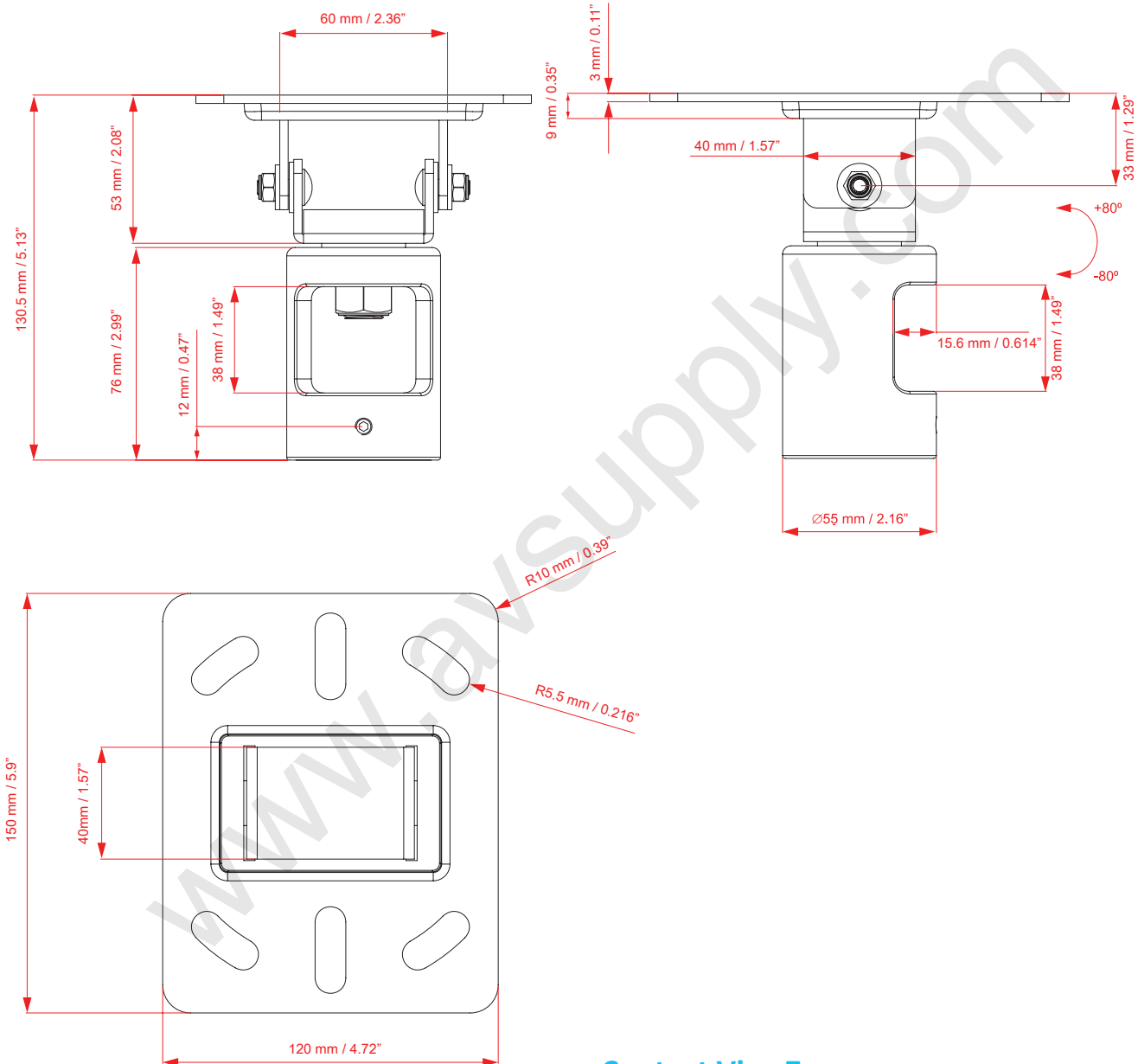
Contact ViewZ

- Address : 177 W. Orangethorpe Ave., Placentia, CA 92870
- Phone : (714) 996-1177, Fax : (714) 996-1138
- Sales : sales@viewzusa.com
- Specification subject to change without notice

For design help, accessories or pricing, please contact:
sales@avsupply or call: 1-858-565-1101



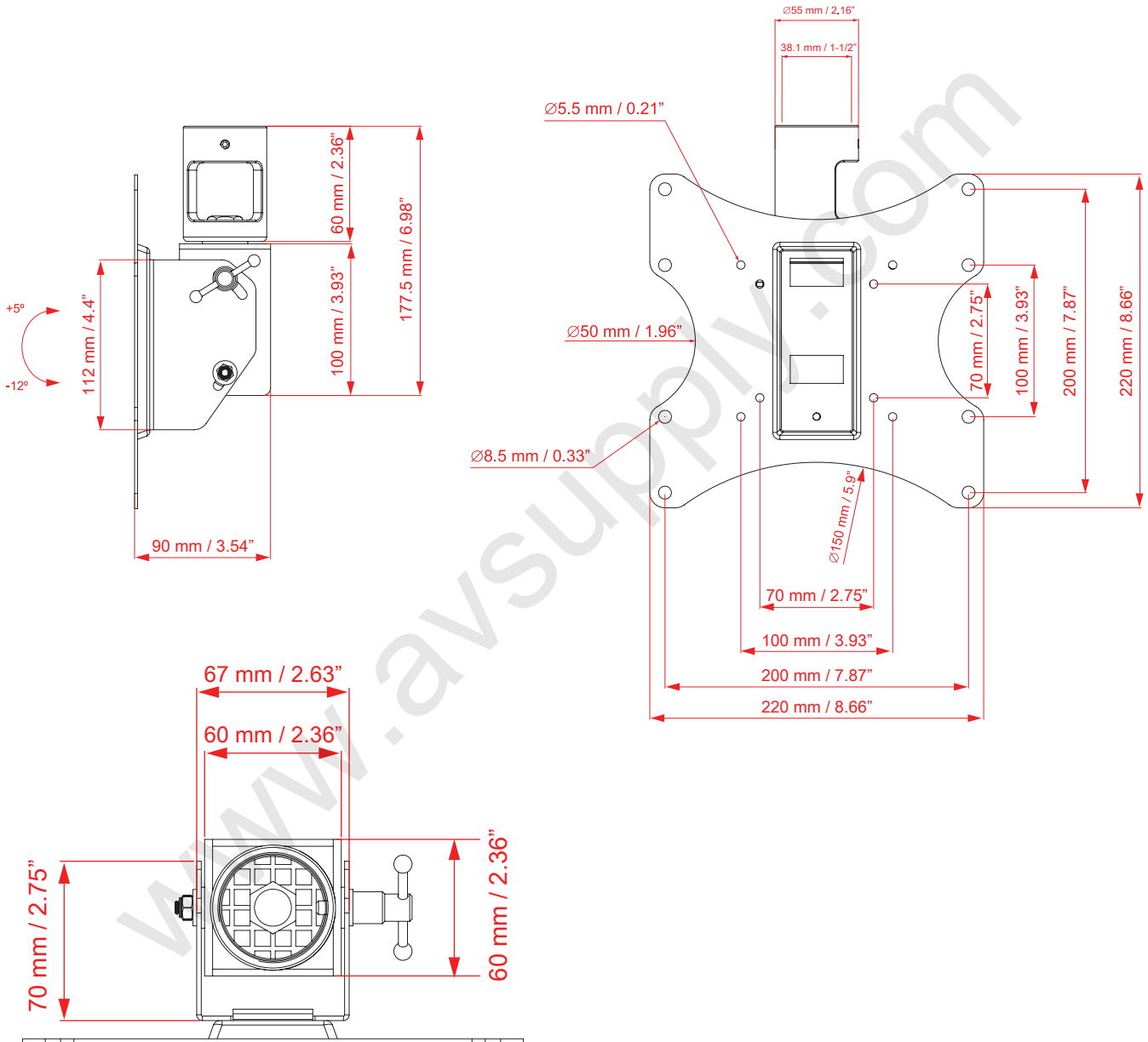
DIMENSIONS



Contact ViewZ

- Address : 177 W. Orangethorpe Ave., Placentia, CA 92870
- Phone : (714) 996-1177, Fax : (714) 996-1138
- Sales : sales@viewzusa.com
- Specification subject to change without notice.

DIMENSIONS



Contact ViewZ

- Address : 177 W. Orangethorpe Ave., Placentia, CA 92870
- Phone : (714) 996-1177, Fax : (714) 996-1138
- Sales : sales@viewzusa.com
- Specification subject to change without notice.