

## FLIR CHAMELEON<sup>®</sup>3

P/N: CM3-U3-13S2, USB3 VISION



### FLEXIBLE FORM FACTOR + USB3 VISION

The Chameleon3 camera line combines the ease-of-use of USB 3.0, the small size and flexibility of board-level, and the most popular CCD and CMOS image sensors into an affordable package. Available in a compact 44 x 35 x 19.5 mm case or as a 40 x 31 mm board stack. The lightweight metal case is designed for reliability and offers multiple mounting points and a locking USB 3.0 connection. Includes on-camera frame buffer for image retransmission, opto-isolated GPIO with locking connection, and a hassle-free 3-year warranty.

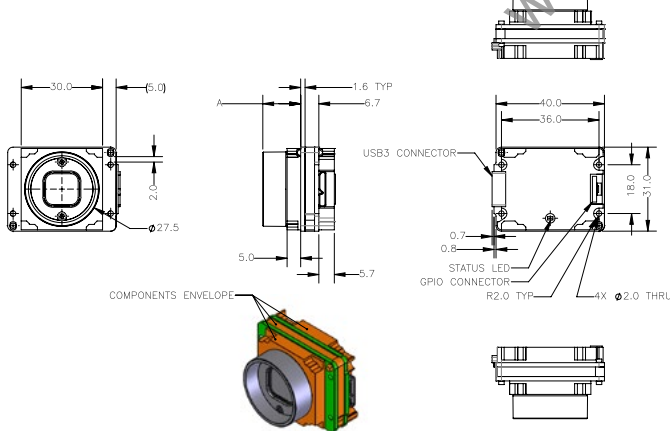


### KEY FEATURES

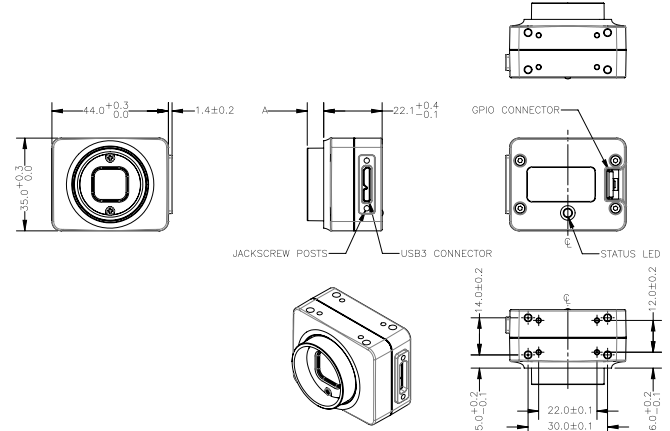
- Boxed and board level available
- On-camera image processing: color interpolation, gamma, and LUT
- 16 MByte frame buffer; LED status indicator



### Board Level



### With Case



## Specifications

	CM3-U3-13S2M	CM3-U3-13S2C
Firmware	1.1.3.0	1.1.3.0
Resolution	1288 x 964	1288 x 964
Frame Rate	30 FPS	30 FPS
Megapixels	1.3 MP	1.3 MP
Chroma	Mono	Color
Sensor	Sony ICX445, CCD, 1/3"	Sony ICX445, CCD, 1/3"
Readout Method	Global shutter	Global shutter
Pixel Size	3.75 µm	3.75 µm
Lens Mount	CS-mount	CS-mount
ADC	12-bit	12-bit
Gain Range	-11 dB to 23.991 dB	-11 dB to 23.991 dB
Exposure Range	0.046 ms to 31.9 seconds	0.046 ms to 31.9 seconds
Trigger Modes	Standard, bulb, low smear, overlapped, multi-shot	Standard, bulb, low smear, overlapped, multi-shot
Partial Image Modes	Pixel binning, ROI	Pixel binning, ROI
Image Processing	Gamma, lookup table, and sharpness	Gamma, lookup table, hue, saturation, and sharpness
HDR Sequencing	4 x exposure, 4 x gain (Firmware: 1.10.3.0)	4 x exposure, 4 x gain (Firmware: 1.10.3.0)
Image Buffer	16 MB	16 MB
User Sets	2 memory channels for custom camera settings	2 memory channels for custom camera settings
Flash Memory	1 MB non-volatile memory	1 MB non-volatile memory
Opto-isolated I/O Ports	1 input, 1 output	1 input, 1 output
Non-isolated I/O	2 bi-directional	2 bi-directional
Auxiliary Output	3.3 V, 150 mA maximum	3.3 V, 150 mA maximum
Interface	USB 3.0	USB 3.0
Power Requirements	5 - 24 V via GPIO or 5 V via USB 3.0 interface	5 - 24 V via GPIO or 5 V via USB 3.0 interface
Power Consumption	<3 W maximum	<3 W maximum
Dimensions/Mass	44 mm x 35 mm x 19.5 mm (case enclosed); 40 mm x 31 mm (board level) / 54.9 g (cased) / 27.9 g (board level)	44 mm x 35 mm x 19.5 mm (case enclosed); 40 mm x 31 mm (board level) / 54.9 g (cased) / 27.9 g (board level)
Machine Vision Standard	USB3 Vision v1.0	USB3 Vision v1.0
Compliance	CE, FCC, KCC, RoHS. The ECCN for this product is: EAR099.	CE, FCC, KCC, RoHS. The ECCN for this product is: EAR099.
Temperature	Operating: 0° to 45°C Storage: -30° to 60°C	Operating: 0° to 45°C Storage: -30° to 60°C
Humidity	Operating: 20% to 80% (no condensation) Storage: 20% to 95% (no condensation)	Operating: 20% to 80% (no condensation) Storage: 20% to 95% (no condensation)
Warranty	3 years	3 years

### FLIR Integrated Imaging Solutions

#### CANADA

12051 Riverside Way  
Richmond, BC, Canada  
V6W 1K7  
T: +1 866.765.0827 (toll free)  
T: +1 604.242.9937  
F: +1 604.242.9938  
E: mv-sales@flir.com  
www.flir.com/iis

#### EUROPE

T: +49 7141 488817-0  
F: +49 7141 488817-99  
E: mv-eusales@flir.com

#### CHINA

T: +86 10 8215 9938  
F: +86 10 8215 9936  
E: mv-chinasales@flir.com

©2017 FLIR® Integrated Imaging Solutions Inc. All rights reserved. Names and marks appearing on the products herein are either registered trademarks or trademarks of FLIR® Systems, Inc. and/or its subsidiaries.