

# Real clarity with HD-SDI



## Full HD HD-SDI Dome Camera

# SCD-6080

The SCD-6080 is Samsung Techwin's HD-SDI megapixel digital camera, using HD-SDI technology this camera transfers HD Megapixel images without signal interruption or video delay; it is ideal for use in high-security surveillance applications for example; casinos, banking and hotels. The SCD-6080 can transfer full HD (1920 x 1080) resolution videos max. 100m distance at 30fps real-time. In addition, this true day/night camera has a 2.8x motorized varifocal lens provides flexibility for installation, SDR and SSNR III.

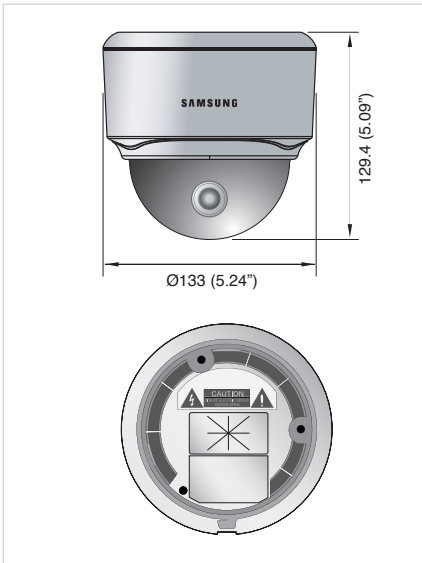
- Full HD (1,920x1,080, 30fps) mega resolution, HD(1280 x 720, 60fps)
- Min. Illumination 1 Lux @F1.2 (Color), 0.1 Lux (B/W)
- 2.8x varifocal lens(3 ~ 8.5mm)
- True Day & Night (ICR), MD
- SSNR III (3D+2D), RS-485, dual Power

# Full HD HD-SDI Dome Camera

# SCD-6080



## Dimensions



## Specifications

SCD-6080	
<b>VIDEO</b>	
Imaging Device	1/3" Progressive Scan CMOS
Total Pixels	2,010(H) x 1,108(V), 2.2M Pixels
Effective Pixels	1,944(H) x 1,092(V), 2.1M Pixels
Scanning System	Progressive Scan
Min. Illumination	Color : 1Lux @ F1.2, 0.017Lux (Sens-up, 60x), B/W : 0.1 Lux @ F1.2, 0.0017Lux (Sens-up, 60x)
S / N Ratio	50dB (AGC off, Weight on)
Video Output	SMPT292M (HD-SDI)
<b>LENS TYPE</b>	
Focal Length (Zoom Ratio)	3 ~ 8.5mm (2.8x), Motorized V/F
Max. Aperture Ratio	1 : 1.24(Wide) ~ 2.16(Tele)
Angular Field of View	H : 105°(Wide) ~ 36.9°(Tele) / V : 58°(Wide) ~ 20.8°(Tele)
Min. Object Distance	0.5m
Focus Control	Manual, One-shot
Lens Type	DC Auto Iris
Mount Type	Board Type
<b>PAN / TILT</b>	
Pan Range	0° ~ 355°
Tilt Range	0° ~ 90°
Rotate Range	0° ~ 355°
<b>OPERATIONAL</b>	
On Screen Display	English, Korean, French, German, Spanish, Italian, Chinese, Russian, Polish, Swedish, Danish, Portuguese, Japanese, Serbian, Czech, Romanian, Turkish, Taiwanese, Thai
Camera Title	Off / On (Displayed 15 characters)
Day & Night	Auto (ICR), Color & B/W, External
Backlight Compensation	Off / User BLC / HLC
Contrast Enhancement	SSDR (Off / On)
Digital Noise Reduction	SSNRIII (Off / On)
Motion Detection	Motion Detection (Off / On)
Privacy Masking	Off / On (16 Rectangular zones)
Sens-up (Frame Integration)	2x ~ 60x
Gain Control	Off / Low / Medium / High
White Balance	ATW / Outdoor / Indoor / Manual / AWC (1,700K° ~ 11,000K°)
Electronic Shutter Speed	Esc / A.FLK / Manual
Digital Zoom	Off / On (1x ~ 16x)
Reverse	Off / H-Rev / V-Rev / HV-Rev
Alarm	(MD) Output 1, External D/N In 1
Communication	RS-485
Protocol	RS-485 : SAMSUNG-T, SAMSUNG-E, Pelco-D, Pelco-P, BOSCH, Honeywell, VICON, PANASONIC, GE, AD
<b>ENVIRONMENTAL</b>	
Operating Temperature / Humidity	0°C ~ +50°C (+14°F ~ +122°F) / Less than 90% RH
<b>ELECTRICAL</b>	
Input Voltage/Current	Dual (24V AC±10% & 12V DC±10%)
Power Consumption	Max. 6W
<b>MECHANICAL</b>	
Color / Material	Body : Ivory / Plastic
Dimension (WxHxD)	H129.4 x Ø133mm (5.09" x 5.24")
Weight	537g (1.18 lb)
<b>TRANSMISSION DISTANCE</b>	
L-5C2V ( 75ohm )	Max. 100~140m
L-6CHD ( 75ohm )	Max. 200m

\* This transmission distance is theoretically calculated number, and real transmission distance can be affected by installation environment.



SAMSUNG TECHWIN AMERICA Inc.  
100 Challenger Road, Suite 700, Ridgefield Park, NJ 07660, UNITED STATES  
Tol Free : 1-877-213-1222 Fax : 1-201-373-0124  
www.samsungsecurityusa.com



The Eco mark represents Samsung Techwin's will to create environment-friendly products, and indicates that the product satisfies the EU RoHS Directive.

■ DISTRIBUTED BY

