



SAMSUNG TECHWIN

960H High Resolution Indoor Dome Camera

960H AIO Accessory Camera

SDC-7310DC

960H Indoor IR Dome Camera

- 720TV lines of high resolution*
- True Day & Night with ICR for perfect color reproduction
- Night vision up to 26.25ft (8m)

* SDC-7310DCN : 720TV lines / SDC-7310DCP : 700TV lines



960H Indoor IR Dome Camera
SDC-7310DC



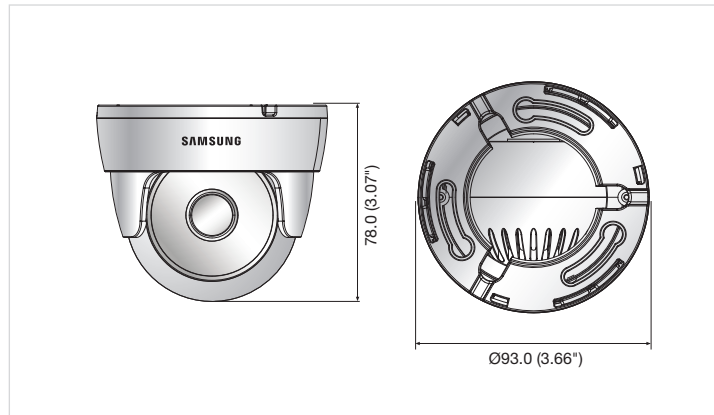
Kit Contents

- Camera (SDC-7310DC) 1pcs
- 60ft BNC Cable 1pcs
- Plastic Achors / Screws
- User Manual

	SDC-7310DCN	SDC-7310DCP
VIDEO		
Imaging Device	1/3" 960H CMOS	
Effective Pixels	976(H) x 494(V)	976(H) x 582(V)
Scanning System	Interlace	
Frequency	H : 15.734KHz / V : 59.94Hz	H : 15.625KHz / V : 50Hz
Horizontal Resolution	720TV lines	700TV lines
Min. Illumination	Color : 7Lux B/W : 0Lux (IR LED on)	
S / N Ratio	46dB	
Min. Cable Length	60ft (18.3m) included	
LENS		
Focal Length	3.6mm (Fixed)	
Max. Aperture Ratio	F2.0	
Angular Field of View	H : 60° / V : 48° / D : 72°	
OPERATIONAL		
Shutter Mode	Auto (Rolling shutter)	
Gain Control	Auto	
White Balance	Auto (1,800°K ~ 10,500°K)	
Digital Noise Reduction	Auto	
Day & Night	Mechanical : Auto (ICR)	
IR Distance (850nm)	26.25ft (8m)	
ENVIRONMENTAL		
Operating Temperature / Humidity	-10°C ~ +50°C (+14°F ~ +122°F) / 20% ~ 85%RH	
Storage Temperature / Humidity	-20°C ~ +60°C (+4°F ~ +140°F) / 20% ~ 85%RH	
Ingress Protection	Indoor only	
ELECTRICAL		
Input Voltage	12V DC	
Power Consumption	Max. 3W (TBD)	
MECHANICAL		
Color / Material	Ivory / Plastic (Poly carbonite)	
Dimensions (WxH)	Ø93.0 x 78.0mm (Ø3.66" x 3.07")	
Weight	179g (0.39 lb)	

Dimensions

Unit : mm (inch)



Design and specifications are subject to change without notice.



The **Eco mark** represents Samsung Techwin's will to create environment-friendly products, and indicates that the product satisfies the EU RoHS Directive.

SAMSUNG TECHWIN CO., LTD.

6, Pangyo-ro 319beon-gil, Bundang-gu, Seongnam-si, Gyeonggi-do, SEOUL 463-400 Rep. of KOREA
 Tel : +82-70-7147-8741 ~ 8749, 8752 ~ 8760 Fax : +82-31-8018-3745 www.samsungsecurity.com www.samsungcctv.com
 COPYRIGHT BY SAMSUNG TECHWIN. ALL RIGHT RESERVED

SAMSUNG TECHWIN AMERICA INC.
 100 Challenger Rd. Suite 700 Ridgely Park, NJ 07660
 Toll Free : +1-877-213-1222 Direct : +1-201-325-6920
 Fax : +1-201-373-0124

SAMSUNG TECHWIN EUROPE LTD.
 2nd Floor, No. 5 The Heights, Brooklands, Weybridge,
 Surrey, KT13 0NY, UK
 Tel : +44-1932-82-6700 Fax : +44-1932-82-6701

SHANGHAI SAMSUNG TECHWIN CO., LTD.
 32F, Blk B, International Business Center,
 No. 391 Guiping Rd., Shanghai, China, 200233
 Tel : +86-21-5427-1155 Fax : +86-21-5423-5122



SAMSUNG TECHWIN