

# Value line 1.3 Megapixel Network Camera



1.3 Megapixel HD Network Dome Camera

## SND-5061

This cost effective 1.3MP High Definition network camera is a great fit for applications which require high resolution video. The SND-5061 features contrast enhancement and day/night capabilities for challenging lighting conditions, and is equipped with high-end functionalities such as Tampering Detection and Motion Detection.

- Maximum 1.3 MP resolution (1280 x 1024)
- 3 ~ 8.5mm(2.8x) vari-focal lens
- Multiple Streaming
- H.264 & MJPEG dual codec
- Tampering Alarm, Motion Detection
- Privacy Masking
- Day & Night (Software)
- Vandal Resistant (IK08)



# 1.3 Megapixel HD Network Dome Camera

## SND-5061



### Specifications

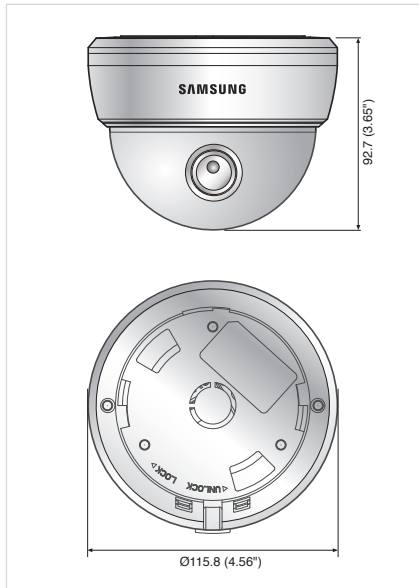


SND-5061N/P

VIDEO	
Imaging Device	1/3" 1.3M PS CMOS
Total Pixels	1,384(H) x 1,076(V)
Effective Pixels	1,329(H) x 1,049(V)
Scanning System	Progressive
Min. Illumination	Color / B/W : 0.7 Lux (F1.2, 50IRE)
Video Out	CVBS : 1.0 Vp-p / 75Ω composite, 704x480(N), 704x576(P), for installation
LENS	
Focal Length (Zoom Ratio)	3 ~ 8.5mm (2.8x) Vari-focal
Max. Aperture Ratio	F1.2
Angular Field of View	H : 88.3°(Wide) ~ 32.4°(Tele), V : 71.5°(Wide) ~ 26°(Tele)
Min. Object Distance	50cm (500mm, 19.69")
Focus Control	Manual
Lens Type	DC Auto Iris
Mount Type	Board-in Type
PAN / TILT / ROTATE	
Pan Range	0° ~ 355°
Tilt Range	17° ~ 90°
Rotate Range	0° ~ 355°
OPERATIONAL	
Camera Title	Off / On (Displayed up to 15 characters)
Day & Night	Auto (S/W) / Color / B/W
Backlight Compensation	Off / BLC
Digital Noise Reduction	SSNR (Off / On)
Motion Detection	Off / On (4 programmable zones, 20fps)
Privacy Masking	Off / On (12 rectangular zones)
Sens-up (Frame Integration)	Off / Auto (2x ~ 60x)
Gain Control	Off / Low / Middle / High
White Balance	ATW / AWC / Manual / Indoor / Outdoor
Electronic Shutter Speed	Auto / A.FLK / Manual (1/30 ~ 12,000sec)
Flip / Mirror	Off / On
Intelligent Video Analytics	Tampering (20fps)
Alarm I/O	Input 1ea
NETWORK	
Ethernet	RJ-45 (10/100BASE-T)
Video Compression Format	H.264, MJPEG
Resolution	1280 x 1024, 1280 x 720P(HD), 1024 x 768, 800 x 600, 640 x 480, 320 x 240
Max. Framerate	H.264 : 30fps, MJPEG : 30fps (1280 x 1024), 30fps (720P HD)
Video Quality Adjustment	H.264 : Compression Level, Target Bitrate Level Control MJPEG : Quality Level Control
Bitrate Control Method	H.264 : CBR or VBR, MJPEG : VBR
Streaming Capability	Multiple Streaming (Up to 10 Profiles)
IP	IPv4, IPv6
Protocol	TCP/IP, UDP/IP, RTP(UDP), RTP(TCP), RTSP, NTP, HTTP, HTTPS, SSL, DHCP, PPPoE, FTP, SMTP, ICMP IGMP, SNMPv1/v2c/v3(MIB-2), ARP, DNS, DDNS, ONVIF
QoS	On / Off
Security	HTTPS(SSL) Login Authentication, Digest Login Authentication, IP Address Filtering, User access Log, 802.1x authentication
Streaming Method	Unicast / Multicast
Max. User Access	10 users at Unicast Mode
ONVIF Conformance	Yes
Web Language	English, French, German, Spanish, Italian, Chinese, Korean, Russian, Japanese, Swedish, Danish, Portuguese, Turkish, Polish, Czech, Rumanian, Serbian, Dutch, Croatian, Hungarian, Greek, Norwegian,
Web Viewer	Supported OS : Windows XP / VISTA / 7, MAC OS 10.7 or higher Supported Browser : Internet Explorer 7.0 or Higher, Firefox 9 or higher, Google Chrome 15 or higher, Apple Safari 5.1 or higher
Central Management Software	NET-i viewer
ENVIRONMENTAL	
Operating Temperature / Humidity	-10°C ~ +55°C (+14°F ~ +131°F) / Less than 90% RH
Storage Temperature / Humidity	-30°C ~ +60°C / Less than 90% RH
ELECTRICAL	
Input Voltage / Current	12V DC, PoE (IEEE802.3af)
Power Consumption	Max 3.7W (12V DC), Max 4.3W (PoE)
MECHANICAL	
Color / Material	Ivory, Plastic
Dimensions (WxH)	Ø115.8 x 92.7mm (Ø4.56" x 3.65")
Weight	345g (0.76 lb)

### Dimensions

Unit : mm (inch)



Design and specifications are subject to change without notice.

■ DISTRIBUTED BY



SAMSUNG TECHWIN AMERICA Inc.  
100 Challenger Rd., Suite 700 Ridgefield Park, NJ 07660  
Toll Free : +1-877-213-1222 Direct : +1-201-325-6920  
Fax : +1-201-373-0124  
www.samsungtechwin.com



The Eco mark represents Samsung Techwin's will to create environment-friendly products, and indicates that the product satisfies the EU RoHS Directive.