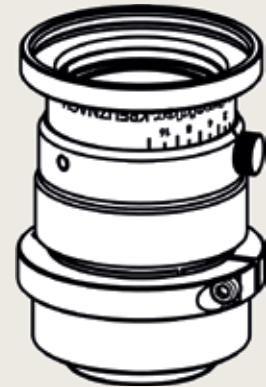


Compact C-Mount anti-shading lenses for up to 12 megapixel 1.3" sensor with lenslet on the pixel. This 35 mm focal length lens covers an image circle of 24 mm, which enables to achieve a large field of view at a short working distance.

The lockable focus and iris setting, a robust housing and the 400 nm to 1000 nm broadband AR coating makes this lens ideal for measurement applications in factory automation.

A version with motorized p-iris is available on request. The series of anti-shading lenses for 1.3" sensor is completed with lenses of 16 mm, 20 mm, 24 mm and 50 mm focal length.



Apo-Xenoplan 2.0/35

Key features

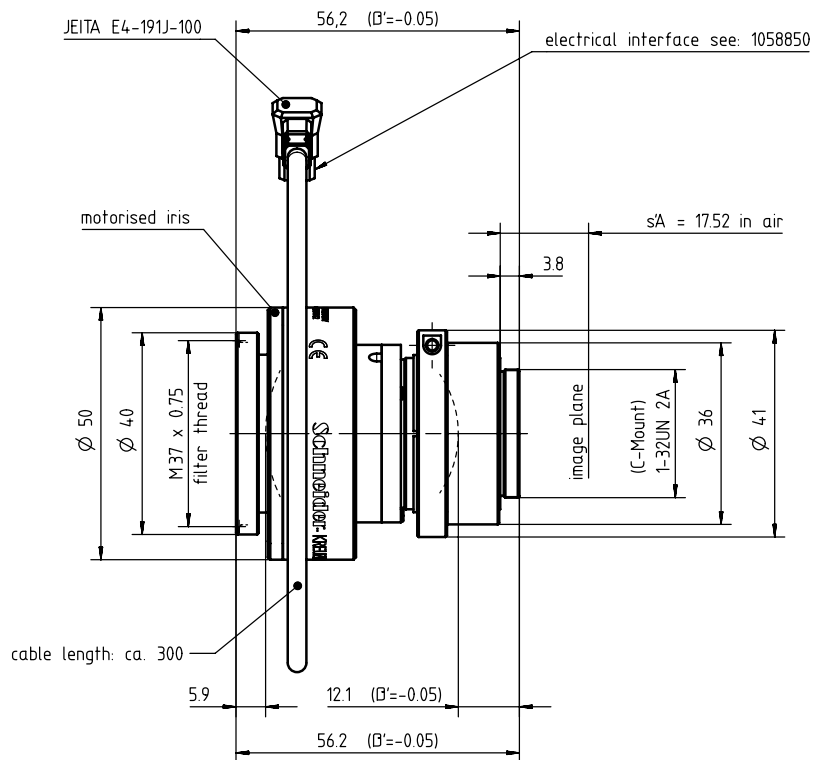
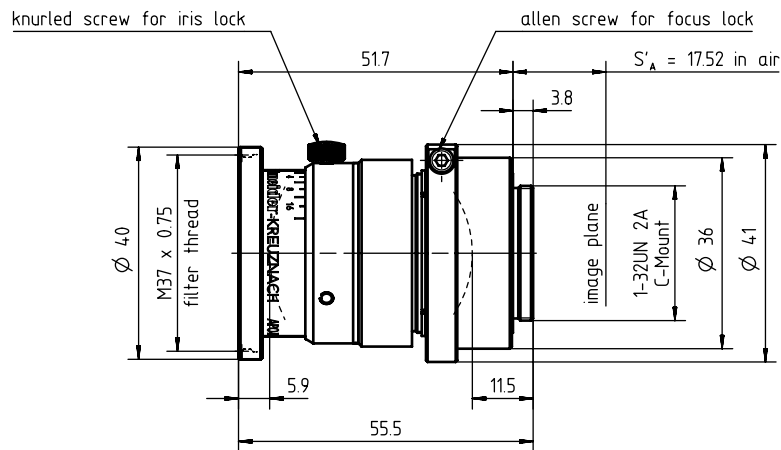
- Anti-shading lens for up to 1.3" 12 megapixel sensor with lenslet
- Covers 24 mm image circle
- Version with motorized p-iris on request
- 400 - 1000 nm broadband AR coating
- Focus and iris setting lockable

Applications

- 3D measurement
- 2D measurement
- Traffic surveillance

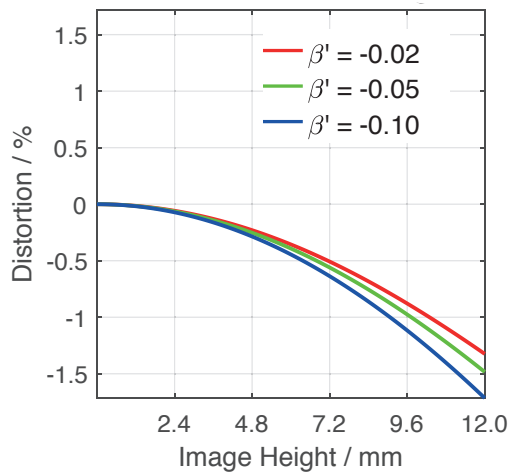
| Name | Apo-Xenoplan 2.0/35 |
|------------------------------|---------------------|
| Type | -2001 -1901 |
| Focal Length [mm] | 35 |
| Magnification | -0.2 |
| Image circle [mm] | 24 |
| Resolution [μm] | 3.65 |
| F/# range | 2 ... 11 |
| NA | 0.25 |
| Interface | C-Mount |
| Working distance [mm] | ∞ - 173 |
| AoV [°] | 37 |
| Focus control | manual |
| Transmission | 400 - 1000 nm |
| Filter thread [mm] | M37 x 0.75 |
| Dimensions L x D [mm] | 57.3 x 50.0 |

| Name | Apo-Xenoplan 2.0/35 |
|--------------------------|---------------------|
| Weight [g] | 204 |
| Storage temperature [°C] | -25°C ... +70°C |
| f'_{eff} [mm] | 35.08 |
| S_F [mm] | 1.63 |
| S'_F [mm] | 25.18 |
| HH' [mm] | -8.38 |
| β'_P | 1.981 |
| S_{EP} [mm] | 19.34 |
| S'_{AP} [mm] | -44.29 |
| Σd [mm] | 38.22 |
| ID | 1006219 |
| ID Motorized p-iris | 1076612 |

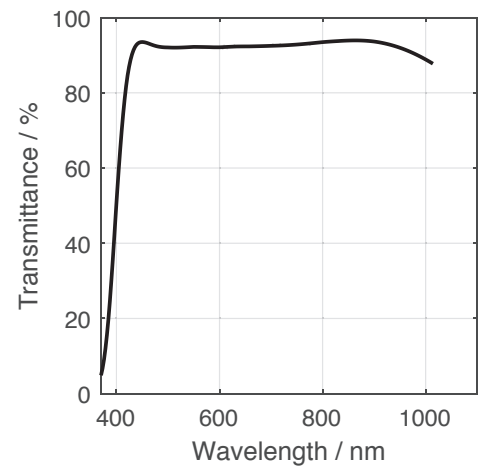


Motorized p-iris

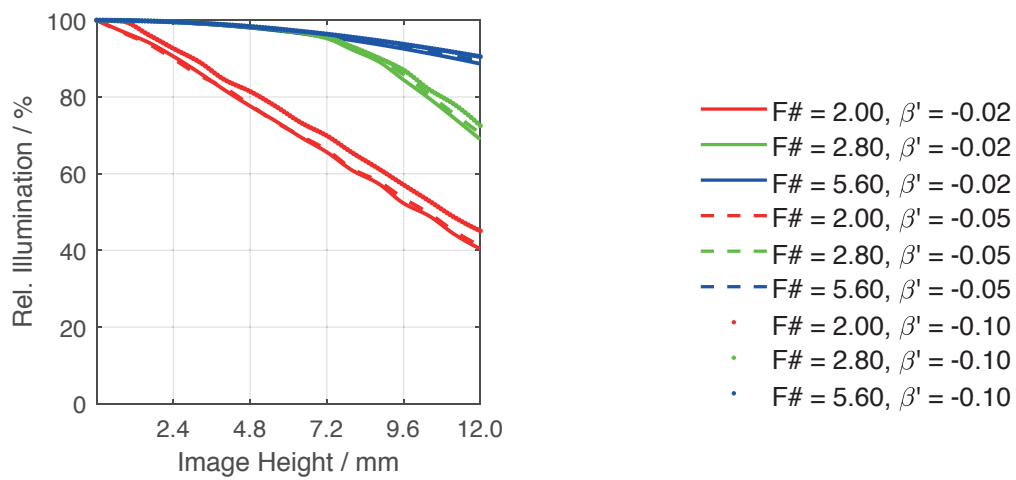
Distortion vs. Image Height



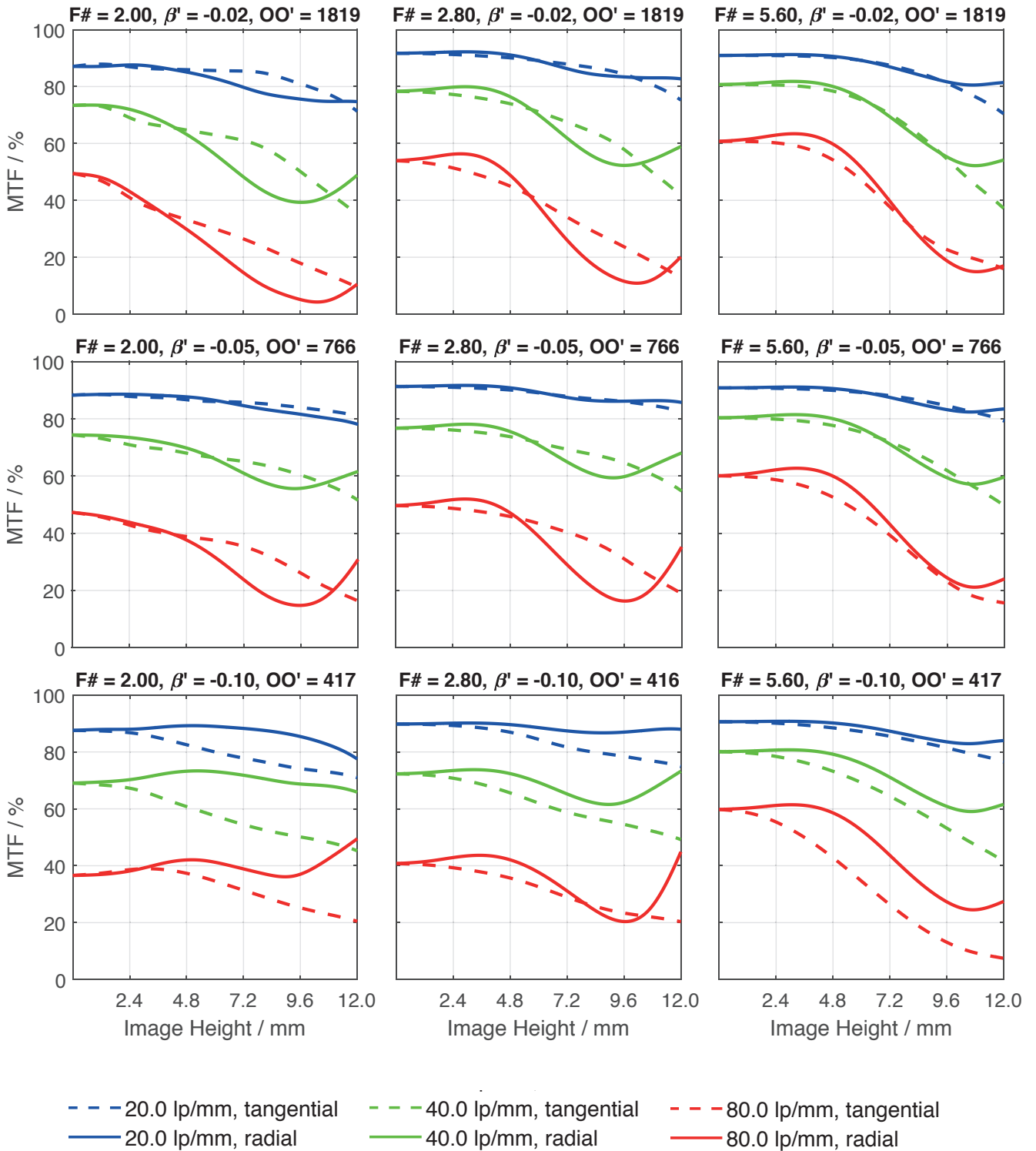
Transmittance vs. Wavelength



Relative Illumination vs. Image Height



| Spectrum Name | VIS | | | | | |
|------------------|-----|-----|-----|-----|-----|-----|
| Wavelengths [nm] | 425 | 475 | 525 | 575 | 625 | 675 |
| Weights | 8 | 16 | 23 | 22 | 19 | 13 |



| Accessories | Mount | Length | ID |
|-------------|---------------------------|--------|---------|
| Adapter | CS-Mount Adapter | 5 mm | 25081 |
| | C-Mount / M42 x 1 Adapter | - | 1075817 |
| Ext. Tube | C-Mount | 5 mm | 39316 |
| | C-Mount | 8 mm | 39315 |
| | C-Mount | 10 mm | 39312 |

Get more information

Contact our local offices



Headquarter Germany

Jos. Schneider Optische Werke GmbH

Ringstraße 132

55543 Bad Kreuznach

☎ +49 671 601 205

✉ cs@schneiderkreuznach.com

www.schneiderkreuznach.com

Offices Worldwide

China

☎ +86 755 8832 1170

✉ shawn.liu@schneider-asiapacific.com

North America

☎ +1 800 645 7239 (East Coast)

☎ +1 800 228 1254 (West Coast)

✉ info@schneideroptics.com

Singapore

☎ +65 9488 0062

✉ thongv@schneiderkreuznach.com