

Apo-Xenoplan 2.0/24

Compact C-Mount anti-shading lenses for up to 12 megapixel 1.3" sensor with lenslet on the pixel. This 24 mm focal length lens covers an image circle of 24 mm, which enables to achieve a large field of view at a short working distance.

The lockable focus and iris setting, a robust housing and the 400 nm to 1000 nm broadband AR coating makes this lens ideal for measurement applications in factory automation. Also available is a version with motorized p-iris.

The series of anti-shading lenses for 1.3" sensor is completed with lenses of 16 mm, 20 mm, 35 mm and 50 mm focal length.



Apo-Xenoplan 2.0/24

Key features

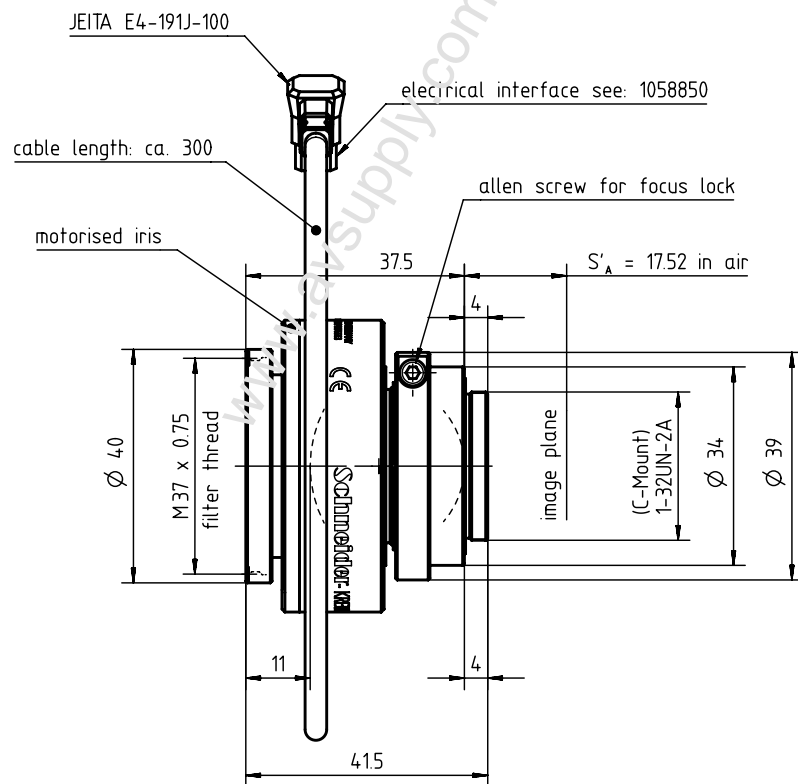
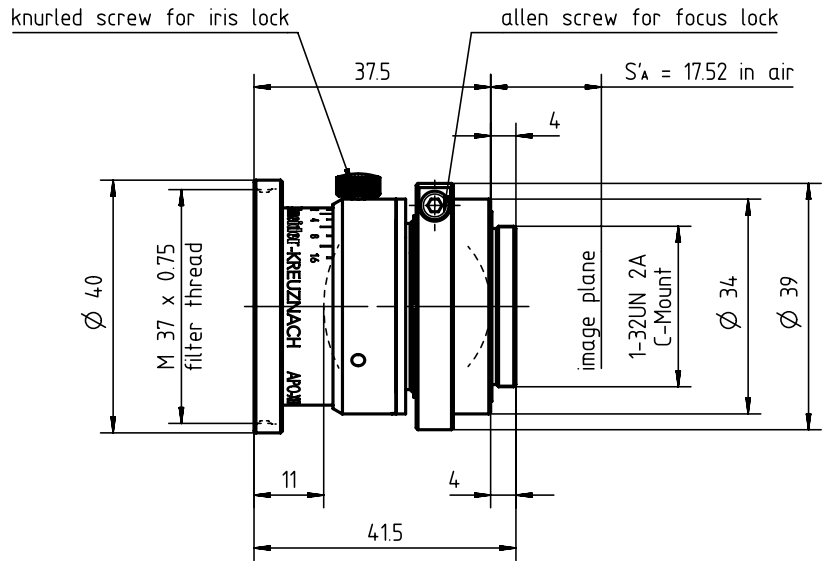
- Anti-shading lens for up to 1.3" 12 megapixel sensor with lenslet
- Covers 24 mm image circle
- Version with motorized p-iris available
- 400 - 1000 nm broadband AR coating
- Focus and iris setting lockable

Applications

- 3D measurement
- 2D measurement
- Traffic surveillance

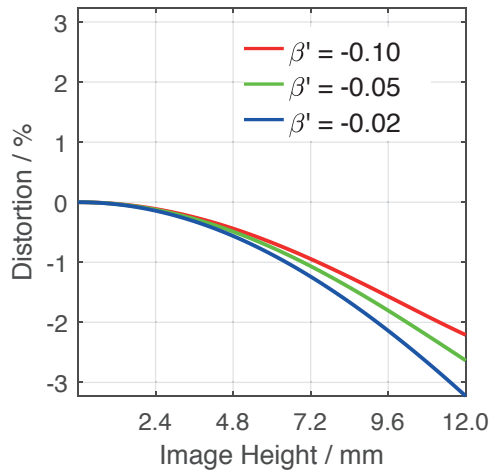
Name	Apo-Xenoplan 2.0/24
Type	-0005 -1901
Focal Length [mm]	24.51
Magnification	-0.2
Image circle [mm]	24
Resolution [μ m]	3.65
F/# range	2.00 ... 16
NA	0.24
Interface	C-Mount
Working distance [mm]	113.68
AoV [°]	52.17
Focus control	manual
Transmission [nm]	400 - 1000
Filter thread [mm]	M37 x 0.75
Dimensions L x D [mm]	41.7 x 40.0

Name	Apo-Xenoplan 2.0/24
Weight [g]	120
Storage temperature [°C]	-25 ... +70
f'_{eff} [mm]	24.51
S_F [mm]	0.86
S'_F [mm]	18.41
HH' [mm]	-5.05
β'_p	1.938
S_{EP} [mm]	22.82
S'_{AP} [mm]	-29.77
Σd [mm]	26.42
ID	1071371
ID Motorized p-iris	1076613

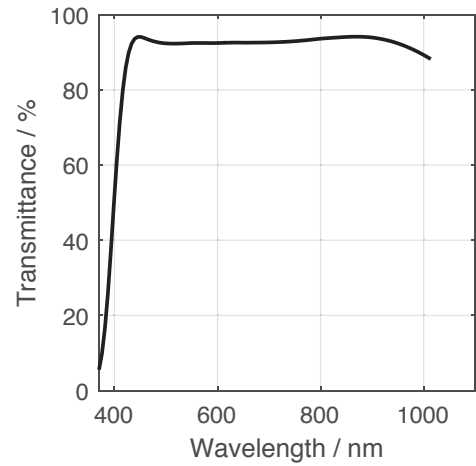


Motorized p-iris

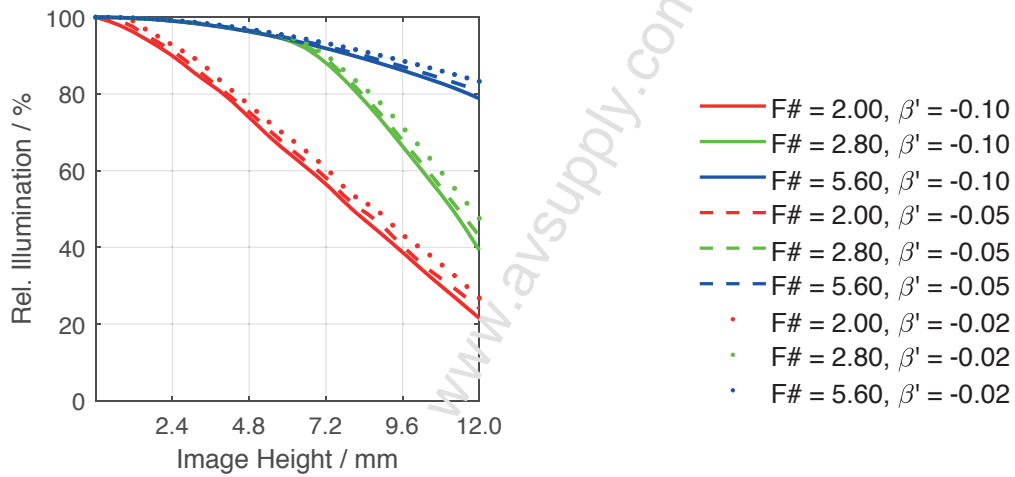
Distortion vs. Image Height



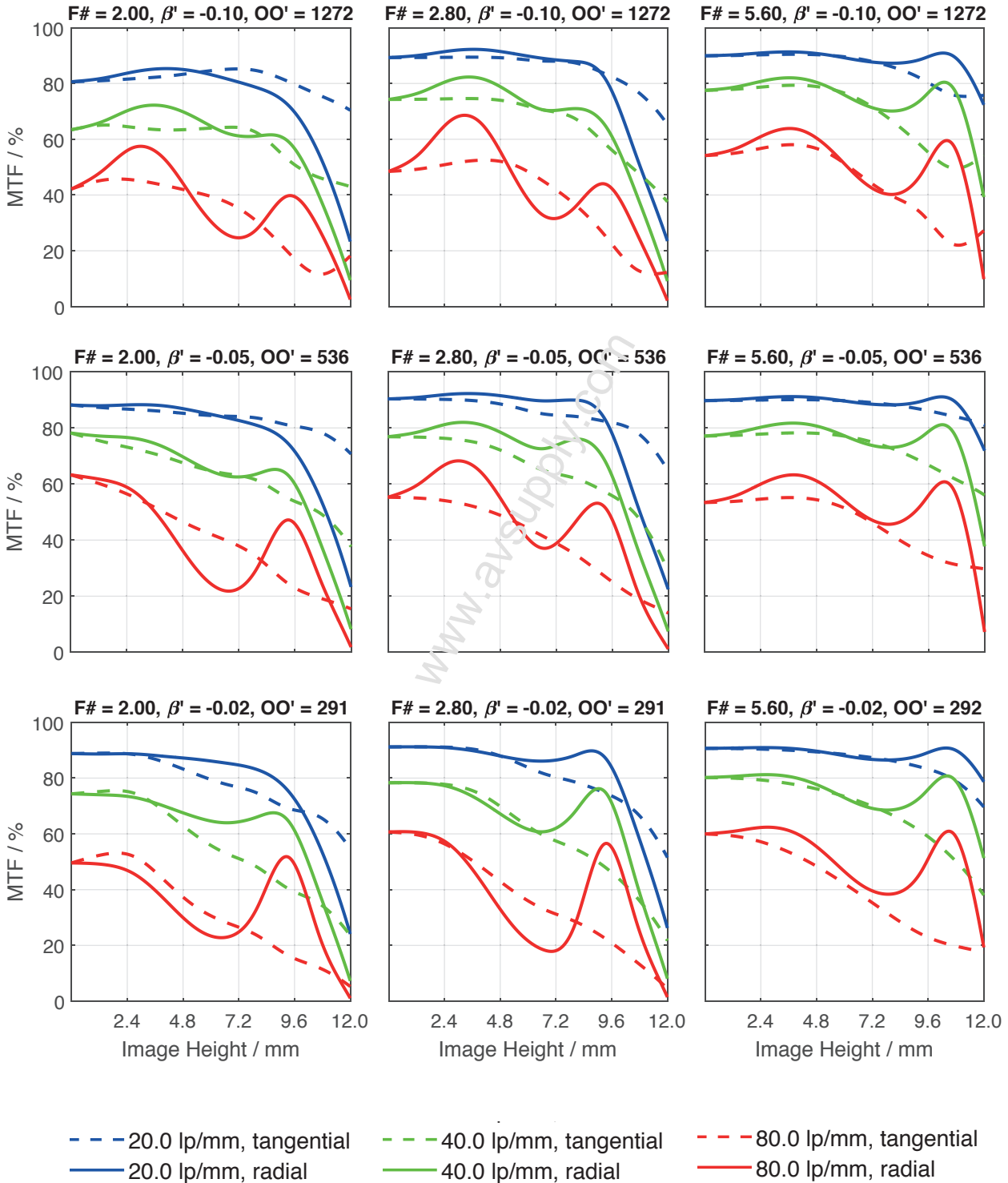
Transmittance vs. Wavelength



Relative Illumination vs. Image Height



Spectrum Name	VIS					
Wavelengths [nm]	425	475	525	575	625	675
Weights	8	16	23	22	19	13



Accessories	Mount	Length	ID
Adapter	CS-Mount Adapter	5 mm	25081
	C-Mount / M42 x 1 Adapter	-	1075817
Ext. Tube	C-Mount	5 mm	39316
	C-Mount	8 mm	39315
	C-Mount	10 mm	39312

www.avsupply.com