

## Xenon-Emerald 4.0/80

Large format 80 mm focal length lens covering up to 43.2 mm image circle, optional with V48-Mount or F-Mount developed for cameras with 29 megapixel sensors.

Distinguish a low distortion for a high optical quality over the entire image field of 43.2 mm ideal for scanning. Usable for VIS range to NIR as needed for web inspection. The robust and compact housing with lockable focus and iris setting makes this lens ideal for sorting systems in factory environmental.



Xenon-Emerald 4.0/80

### Key features

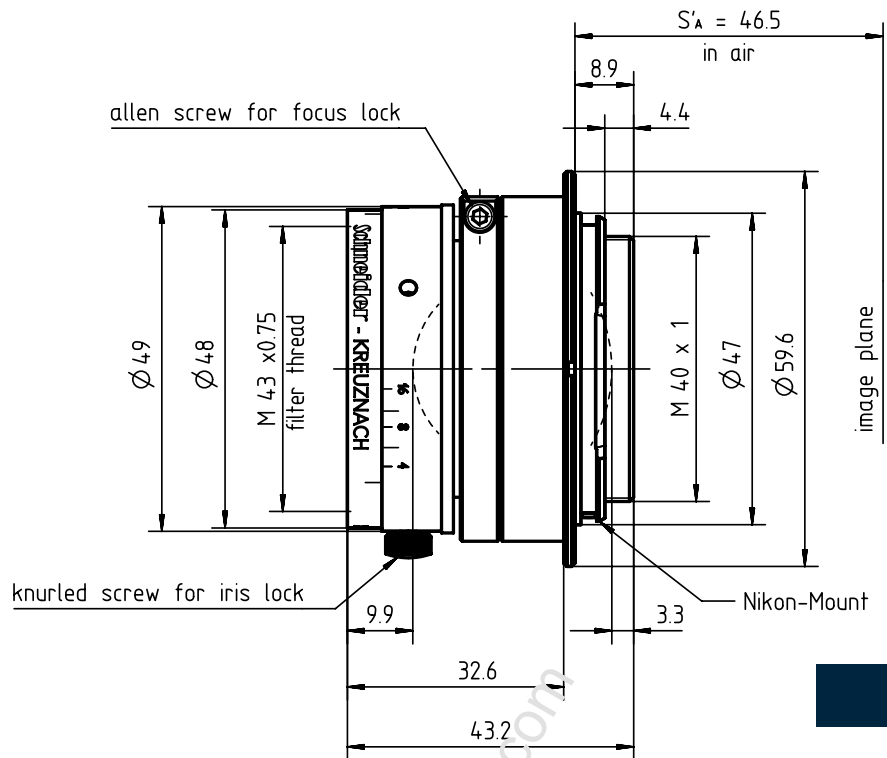
- For large sensors up to 43.2 mm diagonal
- With V48-Mount or F-Mount available
- Lockable focus and iris setting
- 400 nm to 1000 nm broadband AR coating

### Applications

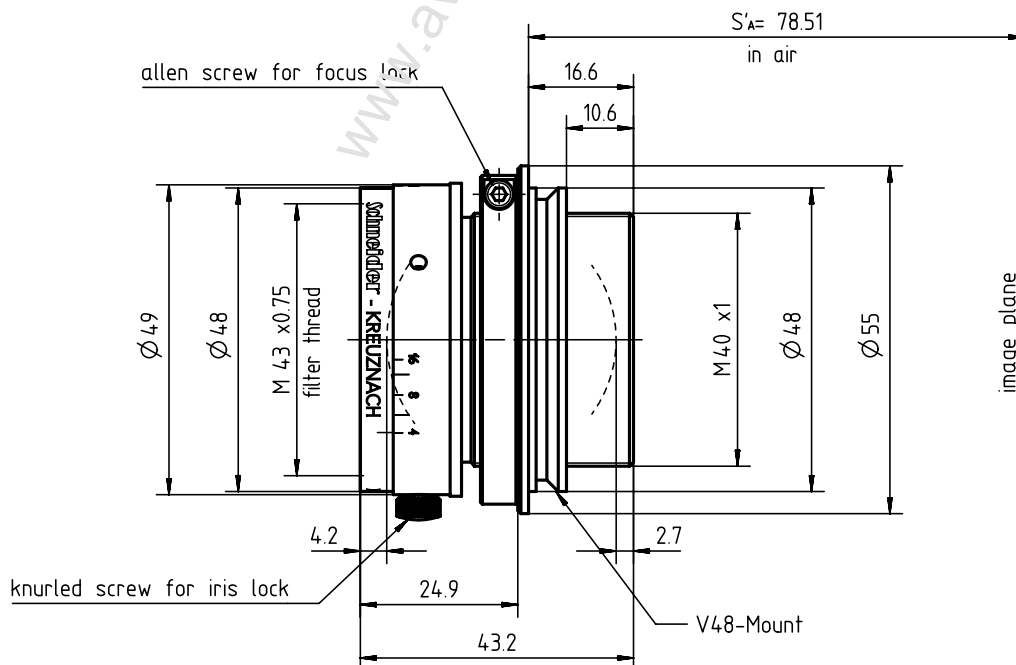
- Web inspection
- Scanner
- Logistic
- Sorting systems

Name	Macro Varon 4.5/35
Type	-0033   0044
Focal Length [mm]	80
Magnification	-0.5
Image circle [mm]	80
Resolution [ $\mu\text{m}$ ]	6.45
F/# range	4 ... 16
NA	0.12
Interface	F-Mount   V48-Mount
Working distance [mm]	221
AoV [°]	52
Focus control	manual
Transmission [nm]	400 - 1000
Filter thread [mm]	M43 x 0,75
Dimensions L x D [mm]	43.2 x 55.0

Name	Macro Varon 4.5/85
Weight [g]	215
Storage temperature [°C]	-25 ... +70
$f'_{\text{eff}}$ [mm]	80.34
$S_F$ [mm]	-57.92
$S'_F$ [mm]	64.67
HH' [mm]	-1.81
$\beta'P$	1.027
$S_{EP}$ [mm]	20.29
$S'_{AP}$ [mm]	-17.86
$\Sigma d$ [mm]	36.28
ID F-Mount	1085115
ID V48-Mount	1086888

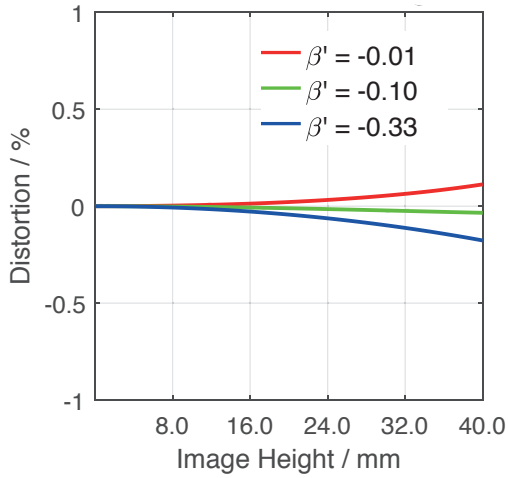


F-Mount

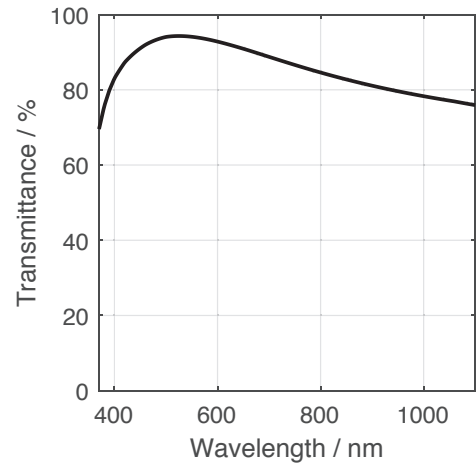


V48-Mount

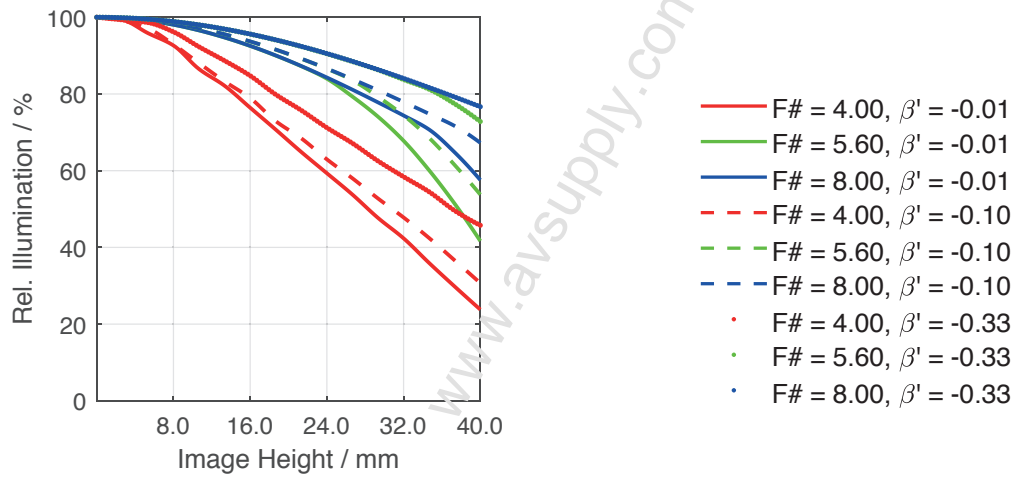
Distortion vs. Image Height



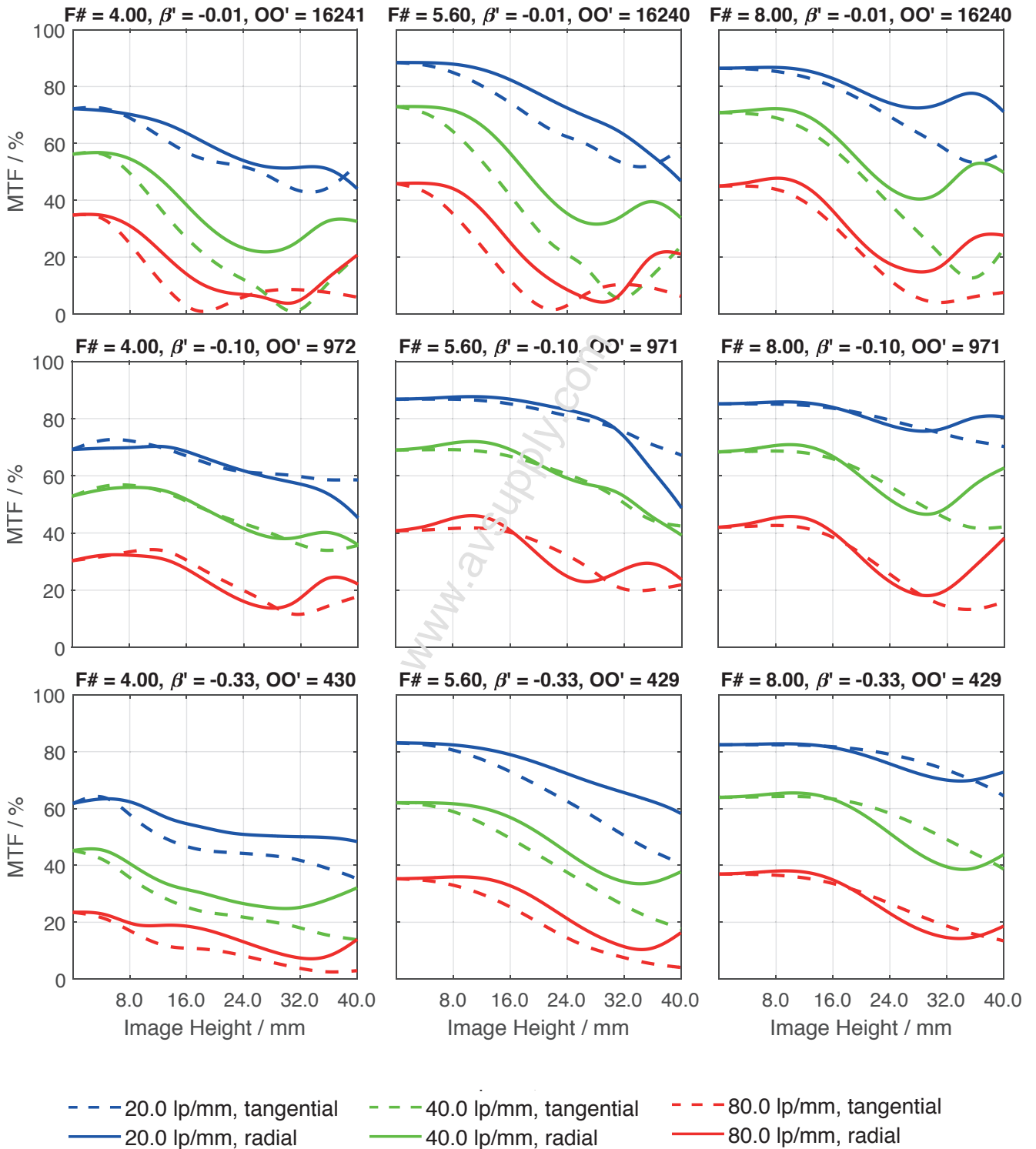
Transmittance vs. Wavelength



Relative Illumination vs. Image Height



Spectrum Name	VIS					
Wavelengths [nm]	425	475	525	575	625	675
Weights	8	16	23	22	19	13



Accessories	Mount	Length	ID
Adapter	V 48 / C-Mount	-	25081
	V 48 / M 42 x 1	-	1075817
	V 48 / M 42 x 0.75	-	1077013
	V 48 / M 58 x 0.75	-	1075556
Ext. Tube	V 48	10 mm	1072661
	V 48	25 mm	1072651
	V 48	50 mm	1072662

www.avsupply.com