

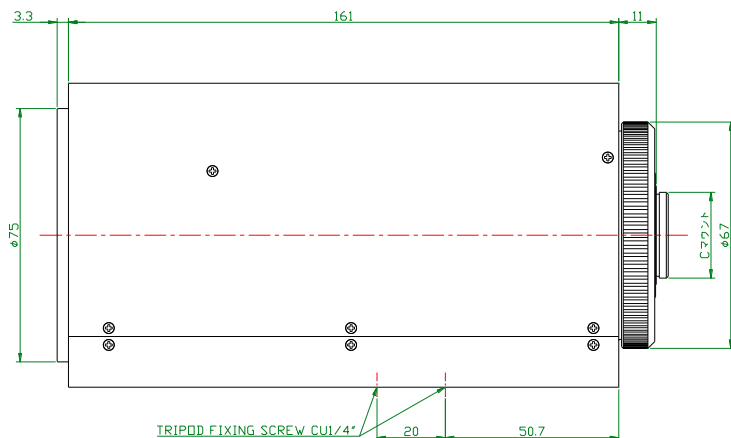
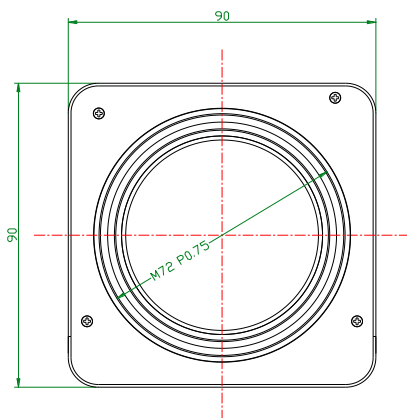
# HZ50X1045DPFIR-T



2 Mega Pixel

Type	AI ZOOM		Mount	C	
Focal Length	10~500mm		Back Focus	33.625mm	
Fno.	F4.5		Mechanical Bf	17.53mm	
Designed Image Format	1/1.8"		Exit Pupil	-50.13m	
Operation Range	Iris	F4.5~Close	Filter Size	M65 P=0.75	
	Focus	5m~infinity	Aperture	Front	φ 56
	Zoom	10~500mm		Rear	φ 8.56
Control	Iris	DC Galvanometer	Dimension	90 x 90 x 175.3mm	
	Focus	DC Motor	Weight	1,850g	
	Zoom	DC Motor			
Object Size at MOD	Wide	3460.6x2589.5mm			
	Tele	72.0x54.1mm			
Field of View	D	47.7° ~1.04°	42.9° ~0.93°		
	H	1/1.8" 38.9° ~0.84°	1/2" 34.8° ~0.75°		
	V	29.5° ~0.63°	26.3° ~0.56°		
Control	Iris	Focus	Zoom	-	
Driving Coil/Supply Volt	180Ω	DC6- 12V	DC6- 12V	-	
Damping Coil/Current	1100Ω	-	-	-	
Response Time	-	4 sec. 12V DC	4.5 sec. 12V DC	-	
Potentiometer	-	-	-	-	
Operating Temperature	-10 ~+50 °C				

## DIMENSIONS



## CABLE CONNECTION

### IRIS

### 4 - PLUG

- ① (-) DAMPING COIL
- ② (+) DAMPING COIL
- ③ (+) DRIVING COIL
- ④ (-) DRIVING COIL

### DRIVE

### molex 5102-1000

- ① FOCUS (+) FAR (12V) • White
- ② FOCUS (-) • Gray
- ③ ZOOM (+) WIDE (12V) • Purple
- ④ ZOOM (-) • Blue
- ⑤ FILTER (+) Dummy (12V) • Green
- ⑥ Filter (-) Visible Cut • Yellow
- ⑦ LENS POT (+) (12V) • Orange
- ⑧ FOCUS POT WIP • Red
- ⑨ ZOOM POT WIP • Brown
- ⑩ LENS POT (-) • Black