

MSVF3X3313IR-BCD

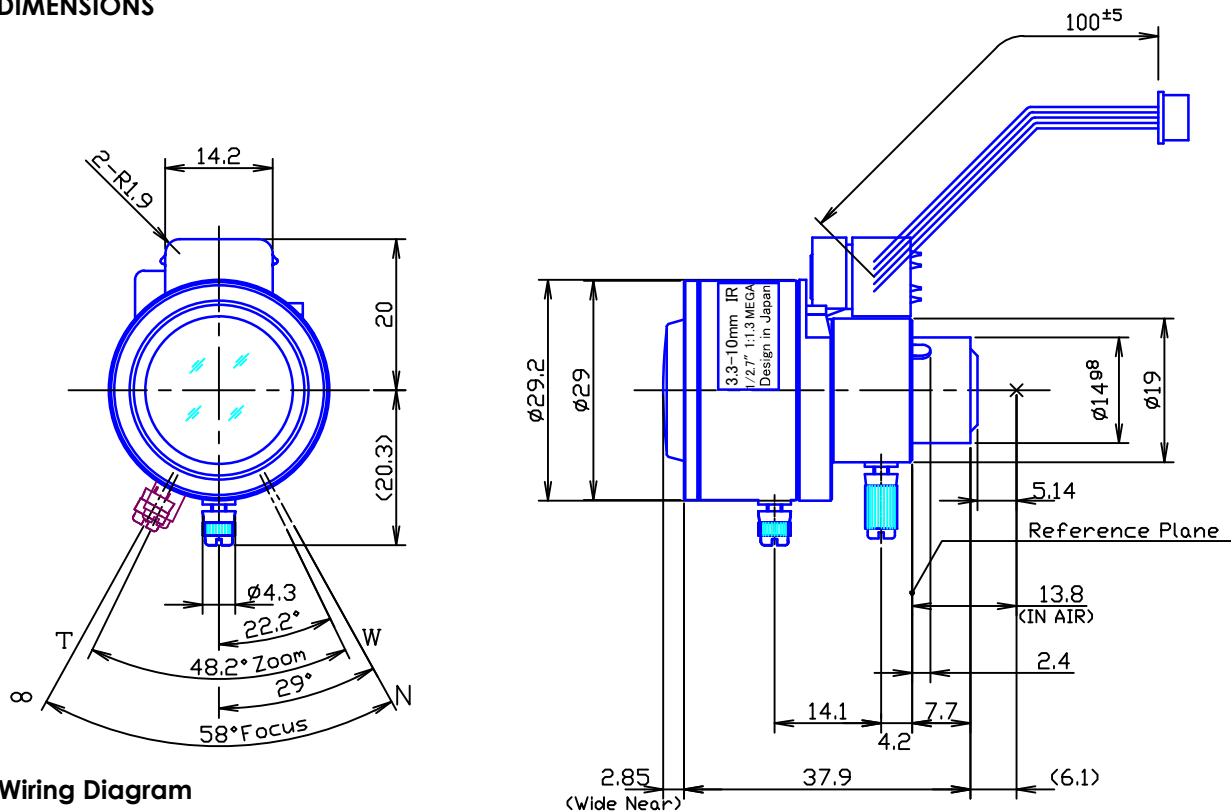
Type	AI VARI		Mount	ø14 Straight Mount		
Focal Length	3.3~10.0mm		Back Focus	5.7~12.3mm		
Fno.	F1.3		Flange Back	13.8mm		
Designed Image Format	1/2.7"(ø 6.75)		Exit Pupil	-66.7 ~ -21.1mm		
Operation Range	Iris	F1.3-F360	Filter Size	-		
	Focus	0.5m~ ∞	Aperture	Front ø 15.9mm		
	Zoom	3.3~10.0mm		Rear ø 6.5mm		
Control	Iris	DC Galvanometer	Dimension	ø29 x 37.9mm		
	Focus	Manual			Weight	22g
	Zoom	Manual				
Object Size at MOD	Wide	692.0x1105.9mm	545.9x1403.5mm			
	Tele	214.2x288.9mm	178.2x324.0mm			
Field of View	D	4:3 125.3°~39.5°	16:9 Screen	129.3°~40.5°		
	H	94.5°~31.6°			108.2°~35.4°	
	V	68.3°~23.7°			56.2°~19.8°	
Control	Iris		Focus	Zoom		
Driving Coil/Supply Volt.	190Ω		-	-		
Damping Coil/Current	855Ω		-	-		
Response Time	-		-	-		
Potentiometer	-		-	-		
Light Measuring Method	-		-	-		
Input Signal	-		-	-		
Iris Accuracy	-		-	-		
Sensitivity Adjustment	-		-	-		
Operating Temperature	-20 ~ +50 degree C		-	-		

1/2.7"

FM

BCD

DIMENSIONS



Wiring Diagram

1) 4-pin Connector for Auto Iris
(Molex : 51021-0400 Single Socket)

Pin No.1	Yellow	Damping(+)
2	Orange	Damping(-)
3	Brown	Driving (+)
4	Red	Driving (-)