

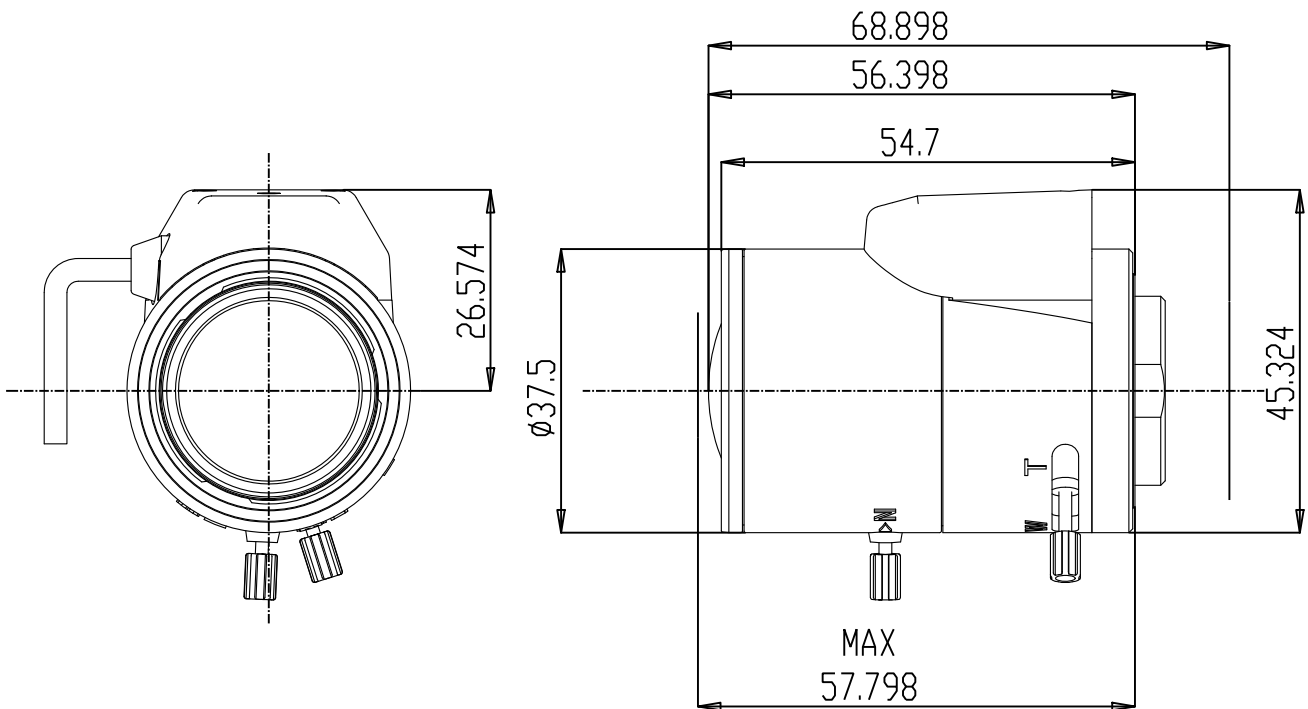
MTV3X0314D



Type	AI VARI		Mount	CS		
Focal Length	3.0~10mm		Back Focus	9.67~18.95mm		
Fno.	F1.4		Mechanical Bf	8.5mm		
Designed Image Format	1/3"(4.8x3.6mm)		Exit Pupil	-		
Operation Range	Iris	F1.4-F360	Filter Size	-		
	Focus	0.3m ~ ∞	Aperture	Front	∅23.7mm	
	Zoom	3.0~10mm		Rear	∅7.8mm	
Control	Iris	DC Galvanometer	Dimention	37,5x45.3x57.8mm		
	Focus	Manual		Weight	73g	
	Zoom	Manual				
Object Size at MOD	Wide	-				
	Tele	-				
Field of View	D	110.2°~34.8°	1/4"	83.2°~26.2°		
	H	88.5°~27.9°		66.6°~21.0°		
	V	66.6°~21.0°		49.9°~15.8°		
Control	Iris		Focus		Zoom	
Driving Coil/Supply Volt.	190Ω		-		-	
Damping Coil/Current	465Ω		-		-	
Response Time	-		-		-	
Potentiometer	-		-		-	
Light Measuring Method	-					
Input Signal	-					
Iris Accuracy	-					
Sensitivity Adjustment	-					
Operating Temperature	-5°C~+50°C					

1/3"
CS
CSD

DIMENSIONS



Wiring Diagram

1) 4 Pin Standard Connector for Auto Iris

Pin No.1	Damping (-)
2	Damping (+)
3	Driving (+)
4	Driving (-)

