

TVF2.4X2513IR-BCD

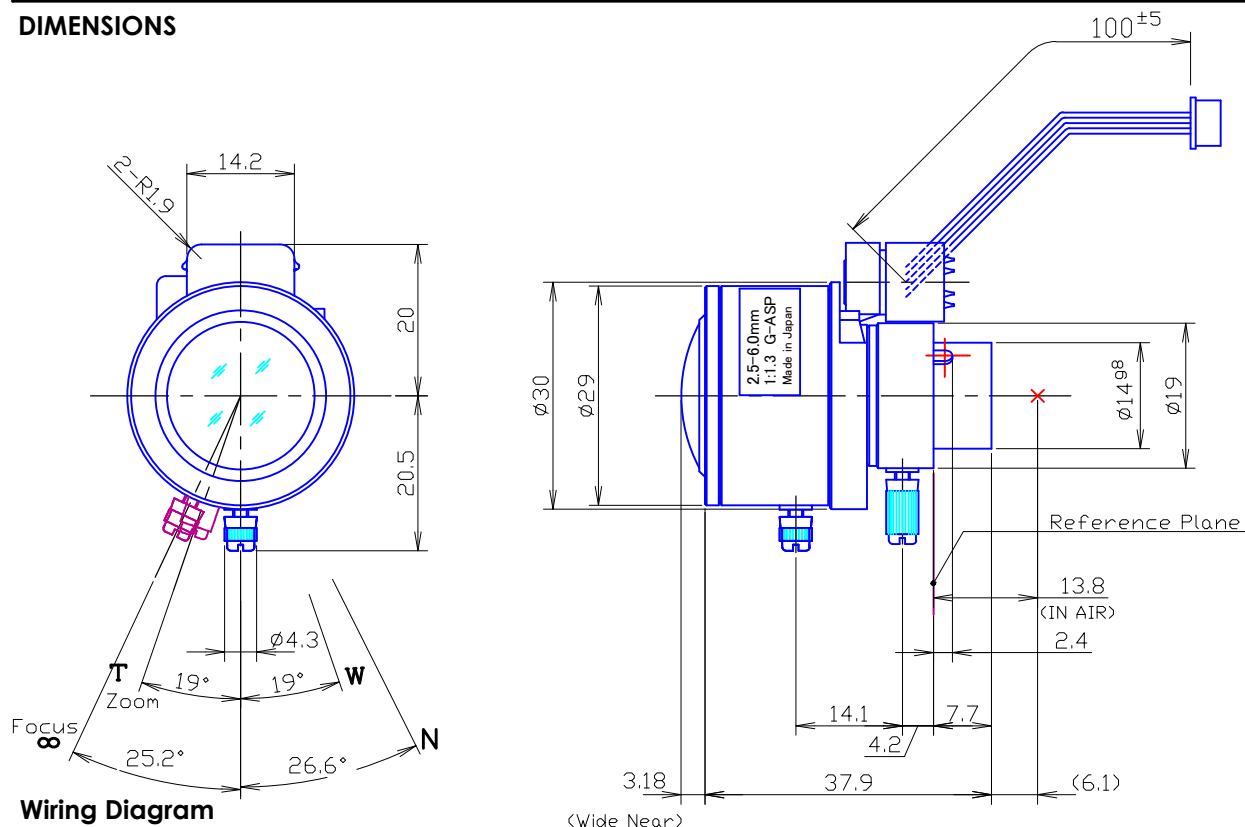
Type	AI VARI		Mount	ø14 Straight Mount		
Focal Length	2.5~6.0mm		Back Focus	6.2~10.6mm		
Fno.	F1.3		Flange Back	13.8mm		
Designed Image Format	1/3"(4.8x3.6mm)		Exit Pupil	-288.0 ~ -25.5mm		
Operation Range	Iris	F1.3-F360	Filter Size	-		
	Focus	0.5m~ ∞	Aperture	Front	ø18.9mm	
	Zoom	2.5~6.0mm		Rear	ø7.2mm	
Control	Iris	DC Galvanometer	Dimension	ø29 x 37.9mm		
	Focus	Manual		Weight	27g	
	Zoom	Manual				
Object Size at MOD	Wide	860.3x1405.2mm				
	Tele	327.8x448.5mm				
Field of View	D	1/3" $\frac{136.6^{\circ} \sim 59.4^{\circ}}$	1/4" $\frac{101.2^{\circ} \sim 44.6^{\circ}}$			
	H	$\frac{108.2^{\circ} \sim 47.6^{\circ}}$	$\frac{80.4^{\circ} \sim 35.6^{\circ}}$			
	V	$\frac{80.4^{\circ} \sim 35.6^{\circ}}$	$\frac{60.0^{\circ} \sim 26.8^{\circ}}$			
Control	Iris		Focus	Zoom		
Driving Coil/Supply Volt.	190Ω		-	-		
Damping Coil/Current	855Ω		-	-		
Response Time	-		-	-		
Potentiometer	-		-	-		
Light Measuring Method	-		-	-		
Input Signal	-		-	-		
Iris Accuracy	-		-	-		
Sensitivity Adjustment	-		-	-		
Operating Temperature	-10 ~ +50 degree C		-	-		

1/3"

FM

BCD

DIMENSIONS



Wiring Diagram

1) 4-pin Connector for Auto Iris
(Molex : 51021-0400 Single Socket)

Pin No.1	Yellow	Damping(+)
2	Orange	Damping(-)
3	Brown	Driving (+)
4	Red	Driving (-)