

# TVF3X1815IR-BCD

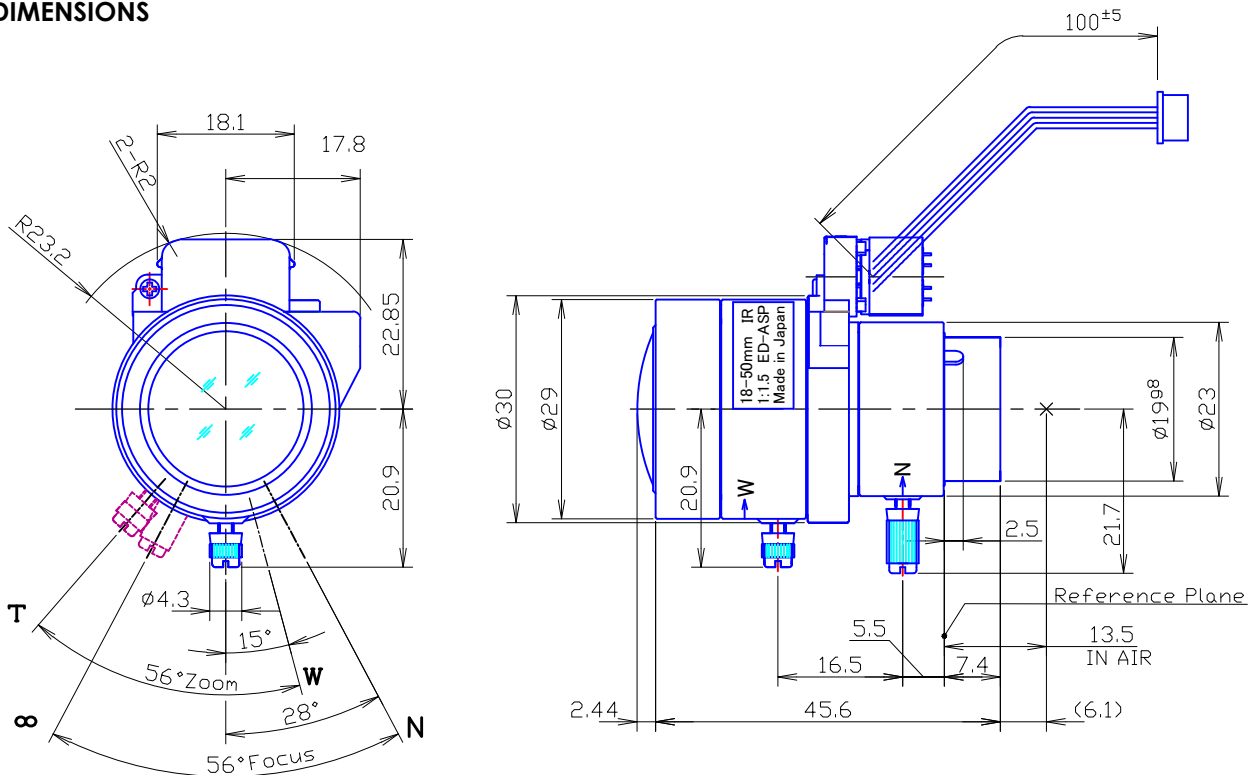
Type	AI VARI		Mount	ø19 Straight Mount		
Focal Length	18~50mm		Back Focus	12.92~7.59mm		
Fno.	F1.5		Flange Back	13.5mm		
Designed Image Format	1/3"(4.8x3.6mm)		Exit Pupil	-39.24~1617.32mm		
Operation Range	Iris	F1.5-F360	Filter Size	-		
	Focus	1.0m~ ∞	Aperture	Front	ø20.5mm	
	Zoom	18~50mm		Rear	ø9.2mm	
Control	Iris	DC Galvanometer	Dimension	ø29 x 45.6mm		
	Focus	Manual		Weight	35g	
	Zoom	Manual				
Object Size at MOD	Wide	198.0x266.2mm				
	Tele	84.2x 112.1mm				
Field of View	D	1/3" 18.4°~7.0°	1/4" 13.7°~5.3°			
	H	14.6°~5.6°				
	V	10.9°~4.2°				
Control	Iris		Focus		Zoom	
Driving Coil/Supply Volt.	190Ω		-		-	
Damping Coil/Current	465Ω		-		-	
Response Time	-		-		-	
Potentiometer	-		-		-	
Light Measuring Method	-					
Input Signal	-					
Iris Accuracy	-					
Sensitivity Adjustment	-					
Operating Temperature	-20 ~ +50 degree C					

1/3"

FM

BCD

## DIMENSIONS



## Wiring Diagram

1) 4-pin Connector for Auto Iris  
(Molex : 51021-0400 Single Socket)

Pin No.1	Yellow	Damping(+)	▶
2	Orange	Damping(-)	
3	Brown	Driving (+)	
4	Red	Driving (-)	