

EGE-F Series

The EGE-F Series is based on high-resolution 1/4", 1/3", and 1/2" inch color CCDs. With a flexible printed circuit cable (FPC) connecting the main camera boards and the CCD board, the EGE-F offers very flexible integration to almost any application. Sentech also offers a two-headed camera for very special a " "


EGE-F-42N

Image shown not actual size

Features

- Flexible Integration
- High Resolution
- OEM
- Compact
- NTSC & PAL Formats

Specifications >>

Image Sensor:	EGE-F-22N: Color 1/2" NTSC 768 (H) x 494 (V) IT CCD (ICX418AKL) EGE-F-22P: Color 1/2" PAL 752 (H) x 582 (V) IT CCD (ICX419AKL) EGE-F-32N: Color 1/3" NTSC 768 (H) x 494 (V) IT CCD (ICX408AK) EGE-F-32P: Color 1/3" PAL 752 (H) x 582 (V) IT CCD (ICX409AK) EGE-F-42N: Color 1/4" NTSC 768 (H) x 494 (V) IT CCD (ICX228AK) EGE-F-42P: Color 1/4" PAL 752 (H) x 582 (V) IT CCD (ICX229AK)
Connection to CCU:	Flexible printed circuit cable (length can vary)
Special Configuration:	Available in a two-headed CCD configuration
Signal Formats:	Available in NTSC & PAL formats
Horizontal Resolution:	480 TV Lines
Horizontal Frequency:	15.734 KHz
Vertical Frequency:	59.94 Hz
Gamma:	0.45
AGC:	On/Off (0 to 18 dB)
Minimum Illumination:	0.5 Lux @ F 1.2
Video Out:	1.0 V _{p-p} , 75 Ω
Y/C Out:	1.0 V _{p-p} , 75 Ω
Sync. System:	Internal
White Balance:	ATW / Manual / Push-to-Set
Aperture Gain:	Off/On (On has two levels - user definable) - 2-Bit - Status output
Electronic Shutter:	1/60 to 1/10,000 second
Fixed Shutter:	Low Speed: 2FLD to 16 FLD (8 steps) High Speed: 1/60 to 1/10,000 (8 steps)
S/N Ratio:	>48dB (AGC Off)
Negative Postive:	Selectable
Back Light:	Backlight compensation at electronic shutter
Power Required:	6 to 8 VDC
Operating Temperature:	-10°C ~ 45°C (14°F ~ 113°F)
Storage Temperature:	-30°C ~ 60°C (-22°F ~ 140°F)
Weight:	35 g (1.23 oz.)
CCU Dimensions:	26 (W) x 19 (H) x 60 (L) mm
CCD Head Dimensions:	12 (W) x 12 (H) mm

地址: 广州市广州大道中明月一路 20 号明月阁 2403 室 上海 Tel: 021-64820318 Fax: 021-64512416
 ADD: Rm2403 moon tower NO. 20 ming yue 1 road 深圳 Tel/Fax: 0755-26833943
 gz dadao zhong, guangzhou. 东莞 Tel: 0769-23034173 Fax: 0769-22317600
 电话 (Tel): (8620) 87361761 87392866 87358110 沈阳 Tel/Fax: 024-25853900
 传真 (Fax): (8620) 87361189 成都 13600496428
 Http://www.kmischina.com 洛阳 13939921208
 E-mail: guangzhou@kmischina.com

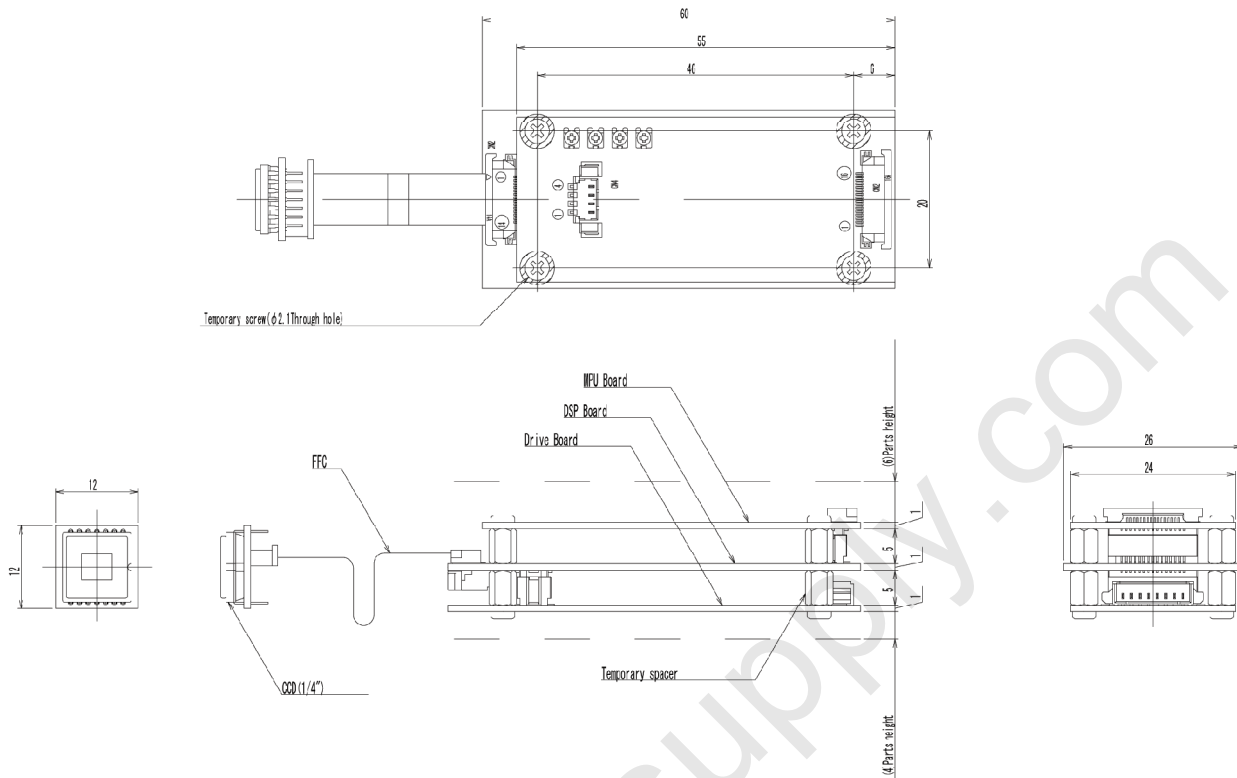
For design help, accessories or pricing, please contact:
 sales@avsupply or call: 1-858-565-1101

AUDIOVIDEO SUPPLY

 1-800-284-2288 sales@avsupply.com
 www.avsupply.com

>> EGE- F

Mechanical Drawings



Note: (Dimensions are given in mm)

地址: 广州市广州大道中明月一路 20 号明月阁 2403 室
ADD: Rm2403 moon tower NO. 20 ming yue 1 road
gz dadao zhong, guangzhou.
电话 (Tel): (8620) 87361761 87392866 87358110
传真 (Fax): (8620) 87361189
Http://www.kmischina.com
E-mail: guangzhou@kmischina.com

上海 Tel: 021-64820318 Fax: 021-64512416
深圳 Tel/Fax: 0755-26833943
东莞 Tel: 0769-23034173 Fax: 0769-22317600
沈阳 Tel/Fax: 024-25853900
成都 13600496428
洛阳 13939921208