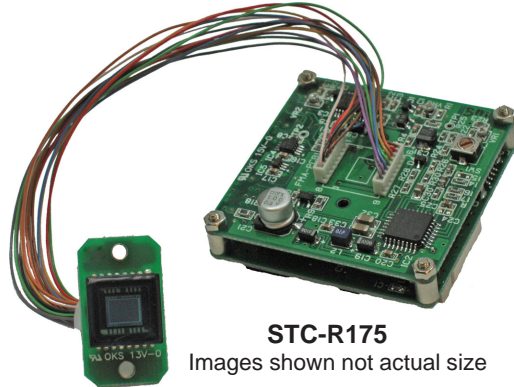


STC-R175

The STC-R170 Series is a 1/3" high resolution remote head CCD machine vision camera in a double board. Small in size, this camera series offers a integration HOLD feature for special applications. Also, the STC-R175 offers both frame and field integration and non-interlace synchronization inputs.



STC-R175

Images shown not actual size

Features

- 1/3" B/W IT CCD
- High Resolution
- Integration HOLD
- EIA & CCIR Formats
- Compact
- Cost Effective

Specifications >>

Image Sensor:	Black & White: 1/3" Interline CCD (ICX258AL - NTSC) (ICX259AL - PAL)
Effective Picture Element:	752 (H) x 582 (V)
Signal Formats:	Available in EIA & CCIR formats
Scanning System:	2:1 Interlace / Non Interlace
Horizontal Frequency:	15.734 kHz
Vertical Frequency:	59.97 Hz
Sync System:	Internal / External (HD/VD) Auto Switching by HD Input
Horizontal Resolution:	570 TV Lines
Vertical Resolution:	Frame Accumulation: 485 TV Lines Frame Accumulation: 350 TV Lines
Minimum Illumination (Standard):	0.17 Lux @ F 1.2, 50 IRE
Minimum Illumination (H Version):	0.06 Lux @ F 1.2, 50 IRE
S/N Ratio:	>56dB (AGC Off)
Accumulation Mode:	Frame / Field Switchable
Gamma:	1 (0.45 is available by replacing an onboard-part)
Lens Mount:	Not Attached
AGC:	AGC / Fixed Switchable
Electronic Shutter:	(8 steps) 1/30 to 1/100,000 second (Flickerless Shutter 1/100)
Video Out:	VS 1.0Vp-p 75 Ω
Power Supply:	DC 10.8 - 13.2 V
Power Consumption:	110mA
Operating Temperature:	-10°C ~ 45°C (14°F ~ 113°F)
Storage Temperature:	-30°C ~ 60°C (-22°F ~ 140°F)
Weight:	25g (.88 oz.)
Dimensions:	CCU Size: 45 (H) x 45 (W) 18 (D)mm (1" x 1" x .72") CCD Board Size: 25 (H) x 15 (W) (1" x .04")

- Includes all wire harnesses

* Cable harnesses for power and other input and output signals are provided with each Sentech board camera.

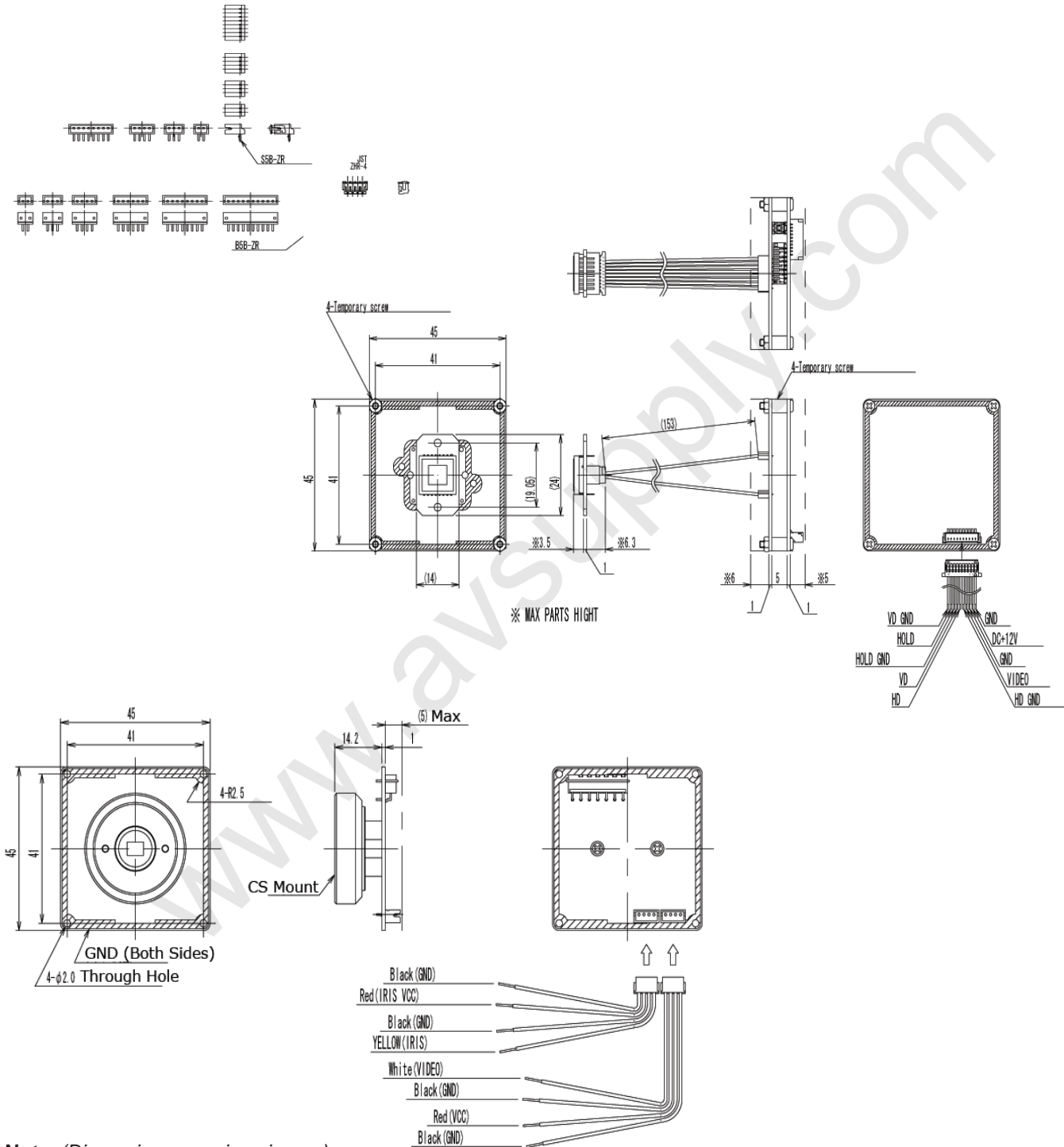
Sensor Technologies America, Inc.
1345 Valwood Parkway, Suite 320 :: Carrollton, Texas 75006
Phone: (972) 481-9223 :: Fax: (972) 481-9209 :: Toll Free: (877) SENTECH (73)
www.SentechAmerica.com

For design help, accessories or pricing, please contact:
sales@avsupply or call: 1-858-565-1101

AUDIOVIDEO SUPPLY
1-800-284-2288 sales@avsupply.com
www.avsupply.com

>> STC-R175

Mechanical Drawings



Note: (Dimensions are given in mm)

Sensor Technologies America, Inc.
 1345 Valwood Parkway, Suite 320 :: Carrollton, Texas 75006
 Phone: (972) 481-9223 :: Fax: (972) 481-9209 :: Toll Free: (877) SENTECH (736-8324)
 www.SentechAmerica.com

For design help, accessories or pricing, please contact:
 sales@avsupply or call: 1-858-565-1101