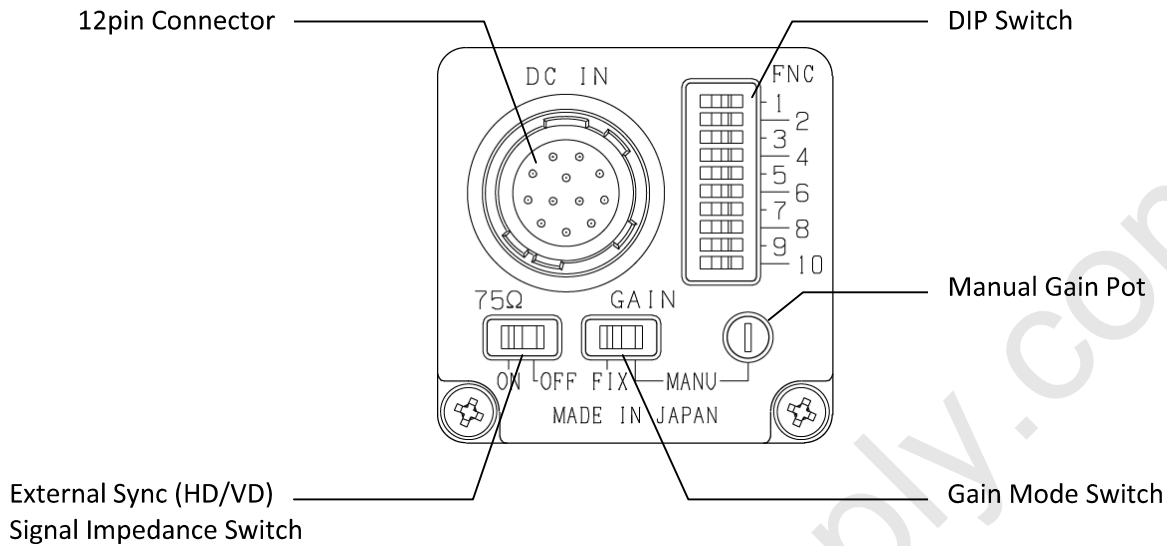


I. Specifications

A. Electronic Specifications / Mechanical Specifications / Environmental Conditions

Product		STC-E42A with Pixel Clock Out	
Electronic Specifications	Imager	1/2" Interline Monochrome EIA CCD: ICX418AL	
	Total Picture Elements	811 (H) x 508 (V)	
	Active Picture Elements	768 (H) x 494 (V)	
	Chip Size	7.40 (H) x 5.95 (V)mm	
	Cell Size	8.4 (H) x 9.8 (V) μm	
	Scanning Systems	2:1 Interlace	
	Vertical Frequency (Frame Rate)	59.94 Hz	
	Horizontal Frequency	15.734 kHz	
	Pixel Frequency	14.318 MHz	
	Resolution	570 TV Lines	
	S/N Ratio	56 dB (Gain 0 dB)	
	Minimum Scene Illumination	1 Lux at F1.4	
	Sync. System	Internal / External	
	Video Output	1.0 Vp-p / 75 Ω, DC coupling	
	Shutter Speed	DIP Switch	OFF; 1/60; 1/100; 1/120; 1/250; 1/500; 1/1000; 1/2000; 1/4000; 1/8000; 1/10000; 1/20000; 1/100000 second
		Communication	OFF; 1/60 to 1/100,000 second (Variable at every H and clock)
	Integration	Field / Frame	
	Gain	0 to 27 dB	
	Gamma	1 / 0.45	
	Power	Input Voltage	DC 12V +/- 10%
Consumption		Less than 1.8 W	
Integration	Field / Frame		
Communication	RS232 via 12pin Connector		
Pixel Clock Output	5Vp-p		
Mechanical Specifications	Dimensions	28 (W) x 28 (H) x 46.3 (D) mm including lens mount and the connector	
	Optical Filter	No IR Cut Filter	
	Optical Center Accuracy	Positional Accuracy in H and V directions: +/- 0.31 mm	
	Materials	Case	Front, Base, and Rear: Aluminum Die Cast (ADC12)
		Tripod	Polycarbonate ABS
	Lens Mount	C Mount	
	Interface Connector	HR 10A-10R-12PB (Hirose) or equivalent	
	Tripod	Tripod can be attached to 4 plates (4 screws on the bottom plate, 3 screws on the other 3 plates)	
Weight	Approximately 52 g (Camera: 43 g; Tripod: 9 g)		
Environmental Conditions	Temperature and Humidity	Operational	Temperature: -5 to 50° C; Relative Humidity: 0 to 90% (No condensation)
		Storage	Temperature: -30 to 65° C; Relative Humidity: 0 to 90% (No Condensation)
	Vibration	20 Hz to 200 Hz to 20 Hz (5 min. / cycle); Acceleration 10G, 3 Directions 30 min. each	
	Shock	Acceleration 70 G, half amplitude 6 ms, 3 directions 3 times each	
	Standard Compliancy	EMS: EN61000-6-2; EMI: EN55011 (Class B)	
	RoHS	RoHS Compliant	

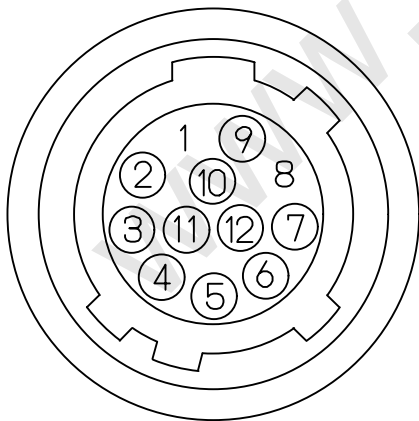
B. Rear Panel Specifications



1. 12pin Connector Pin Assignment

The connector type: HR10A-10R-12PB (Hirose) or equivalent

Pin Assignment

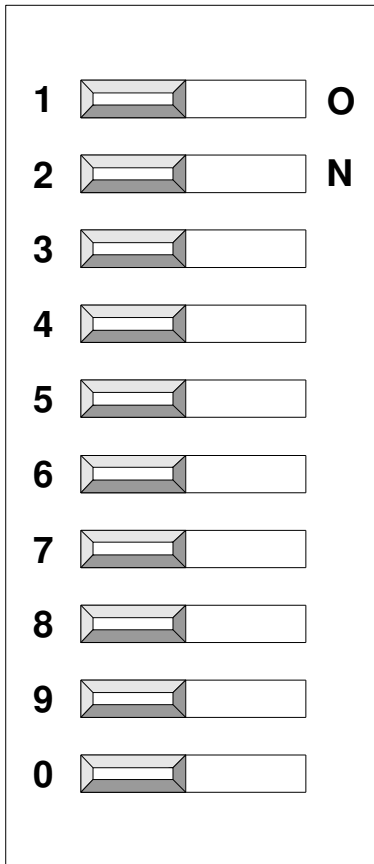


No.	Signal types	
	Internal sync	External sysnc
1	GND	GND
2	+12V DC	+12V DC
3	VIDEO GND	VIDEO GND
4	VIDEO OUT	VIDEO OUT
5	HD GND	HD GND
6	HD OUT	HD IN
7	VD OUT	VD IN
8	GND	GND
9	TXD	TXD
10	CLOCK OUT	CLOCK OUT
11	-	-
12	RXD (Note)	RXD (Note)

* Note: Pin No.12 can be connected to GND

The camera settings can be changed by RS232C communication with No. 9 and 10. Please refer to the user's guide for further details.

2. DIP Switch Settings



DIP Switch Settings

DIP Switch No. 1 to 4: Shutter Speed -----

Shutter Speed	No. 1	No. 2	No. 3	No. 4
OFF	OFF	OFF	OFF	OFF
1/60 sec.	ON	OFF	OFF	OFF
1/100 sec.	OFF	ON	OFF	OFF
1/120 sec.	ON	ON	OFF	OFF
1/250 sec.	OFF	OFF	ON	OFF
1/500 sec.	ON	OFF	ON	OFF
1/1000 sec.	OFF	ON	ON	OFF
1/2000 sec.	ON	ON	ON	OFF
1/4000 sec.	OFF	OFF	OFF	ON
1/5000 sec.	ON	OFF	OFF	ON
1/8000 sec.	OFF	ON	OFF	ON
1/10,000 sec.	ON	ON	OFF	ON
1/20,000 sec.	OFF	OFF	ON	ON
1/100,000 sec.	ON	OFF	ON	ON
OFF	OFF	ON	ON	ON
OFF	ON	ON	ON	ON

DIP Switch No. 5 to 7: No Function -----

DIP Switch No. 8: Gamma -----

Gamma	No. 8
1.0	OFF
0.45	ON

DIP Switch No. 9: Sync. System -----

Sync. System	No. 9
External	OFF
Internal	ON

DIP Switch No. 10 Integration -----

Integration	No. 10
Frame	OFF
Field	ON

3. External Sync. (HD/VD) Signal Impedance Setting

ON: 75Ohm termination
OFF: High Impedance

4. Gain Mode Setting

FIX: Fixed Gain
MANU: Manual Gain

5. Clock Out (Pixel Clock Out) Signal Specifications

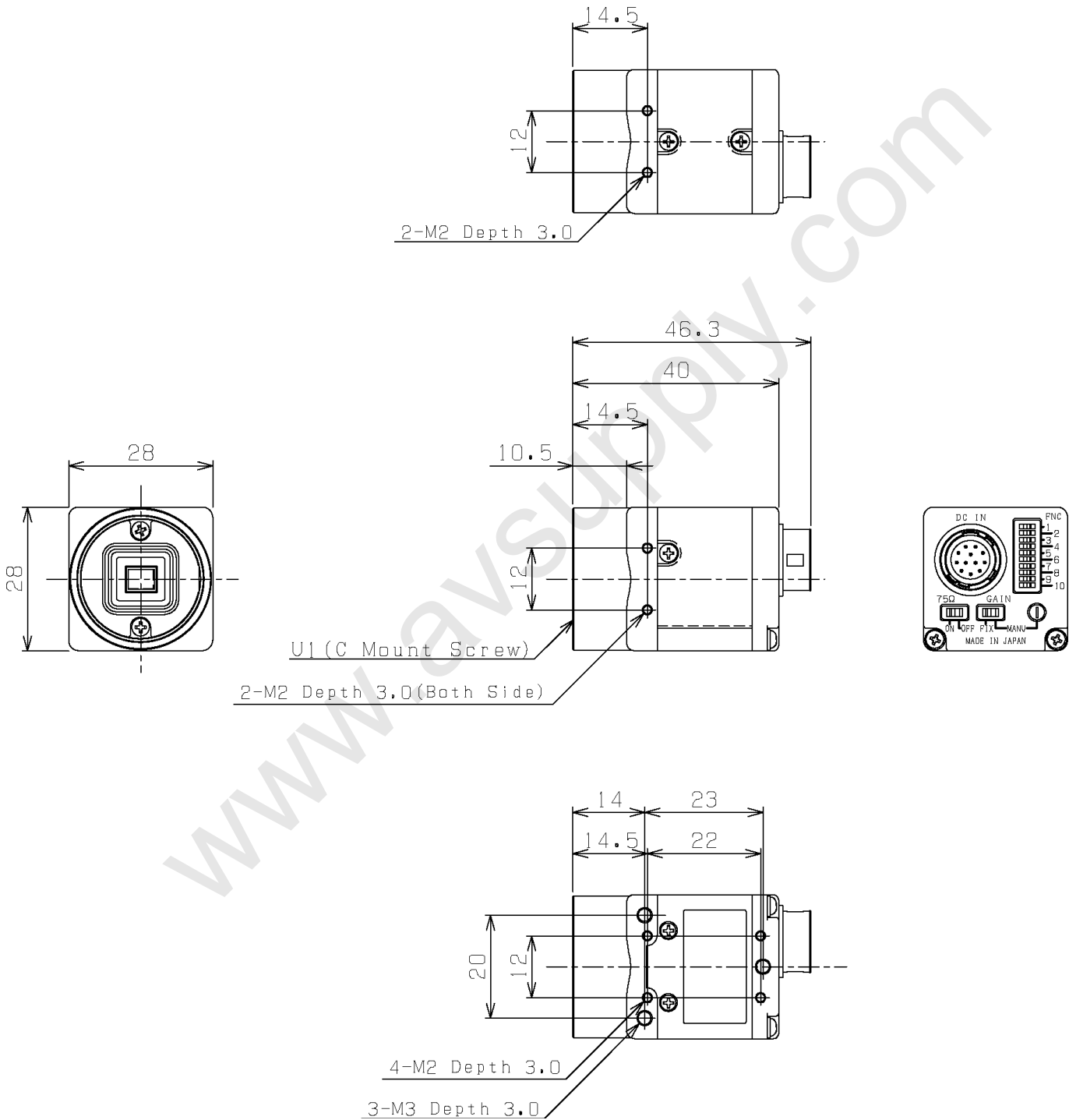
- a. Signal Level: 0 to 5.0V
- b. Signal Polarity: Positive (Rising Edge)
- c. Signal Frequency: 14.318 MHz



www.avsupply.com

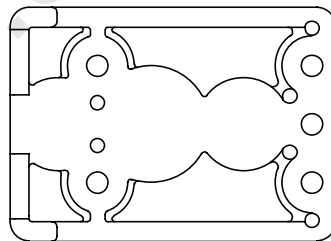
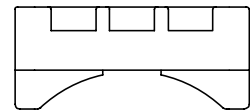
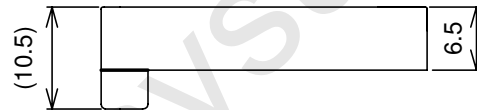
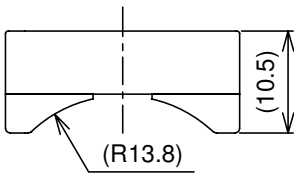
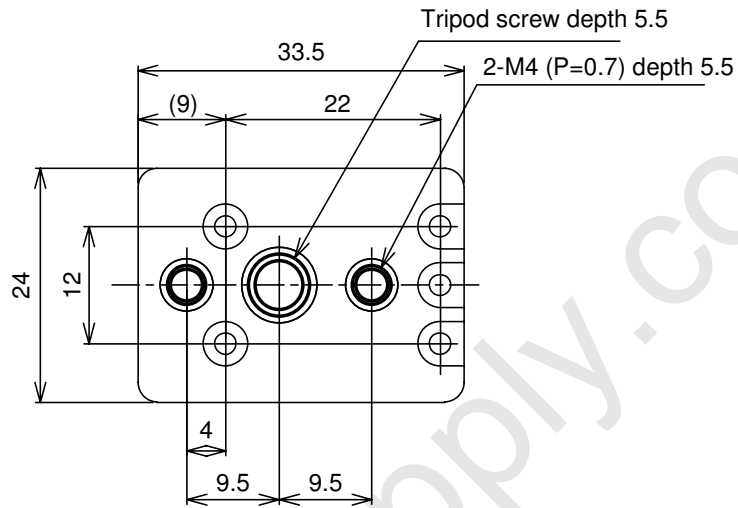
II. Dimensions

A. Camera Dimensions

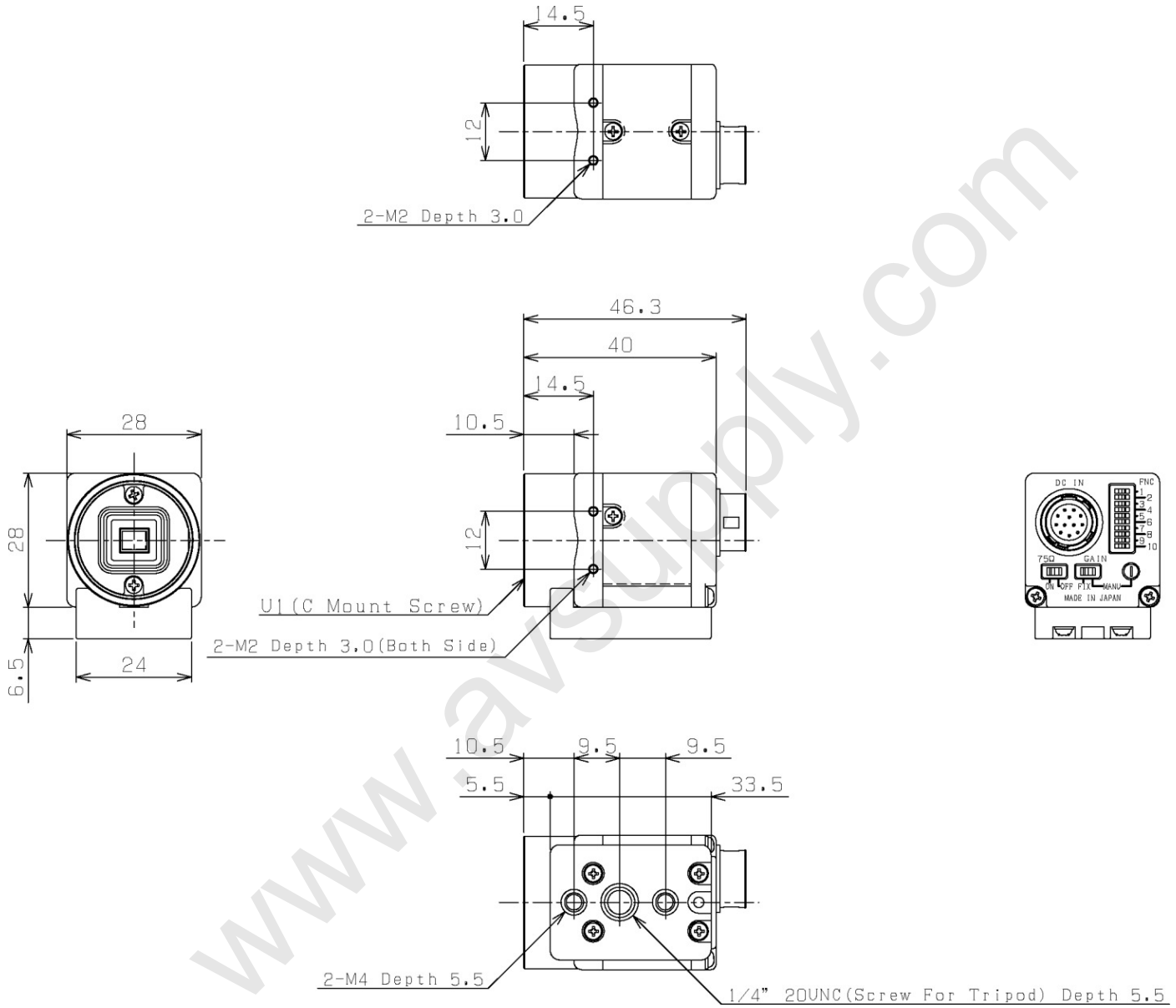


Distributed By: Audio Video Supply -- Tel: 1-800-284-2288 -- www.avsupply.com

B. Tripod Dimensions



C. Camera Dimensions with Tripod



Revisions

Rev	Date	Changes	Notes
1.0	2008/02/13	Created Document	

www.avsupply.com

Distributed By: Audio Video Supply -- Tel: 1-800-284-2288 -- www.avsupply.com