

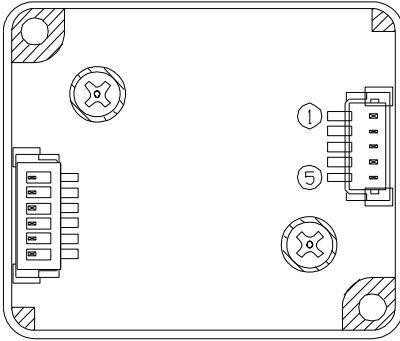
I. Specifications

Product		STC-N54	STC-N64	STC-P54	STC-P64
Electronic Specifications	Imager	¼" NTSC low resolution Interline CCD (SHARP: RJ2411AB0PB)	¼" NTSC high resolution Interline CCD (SONY: ICX648BKA)	¼" NTSC low resolution Interline CCD (SHARP: RJ2421AB0PB)	¼" NTSC high resolution Interline CCD (SONY: ICX649BKA)
	Active Picture Element	512 (H) x 492 (V)	768 (H) x 494 (V)	512 (H) x 582(V)	752 (H) x 582 (V)
	Chip Size	-	4.34 (H) x 3.69 (V) mm	-	4.34 (H) x 3.69 (V)mm
	Cell Size	7.2 (H) x 5.6 (V) µm	4.75 (H) x 5.55 (V) µm	7.2 (H) x 5.6 (V) µm	4.85 (H) x 4.65 (V) µm
	Scanning System	2:1 Interlace			
	Horizontal Frequency	15.734 kHz		15.625 kHz	
	Vertical Frequency	59.94 MHz		50.00 MHz	
	Sync. System	Internal			
	Horizontal Resolution	330 TV Lines	480 TV Lines	330 TV Lines	480 TV Lines
	Video Output	VBS 1.0Vp-p 57 Ohm			
	Min. Scene Illumination	0.61 Lux at F1.2	0.71 Lux at F1.2	0.54 Lux at F1.2	0.54 Lux at F1.2
	S/N Ratio	More than 48 dB			
	Electronic Shutter	Electronic Iris (1/60 to 1/100,000 seconds) (adjustable via the communication)		Electronic Iris (1/50 to 1/100,000 seconds) (adjust via the communication)	
	Gain	AGC ON (adjustable via the communication)			
	Gamma	0.45 (Adjustable via the communication)			
	White Balance	Auto white balance (2,800 to 7,000K) (Adjustable via the communication)			
	Mirror	Normal Image / Horizontal Image			
Power	Input Voltage	+5 to +12Vdc			
	Consumption	<0.6 W			
Mechanical Specifications	Dimensions	26 (W) x 22 (H) x variable (D) mm (excluding connectors)			
	Optical Filter	includes IR cut filter			
	Lens Mount	CS mount / Fixed lens / Pin hole lens / Without lens			
	Weight	Approximately 70g			
Environmental Specifications	Operational Temperature	Environmental temperature: -10°C to 50°C			
	Storage Temperature	Environmental temperature: -20°C to 60°C			
	RoHS	RoHS compliance			

II. Pin Assignments

A. STC-N54/P54

Communication Connector: A Communication JIG is required for communication.



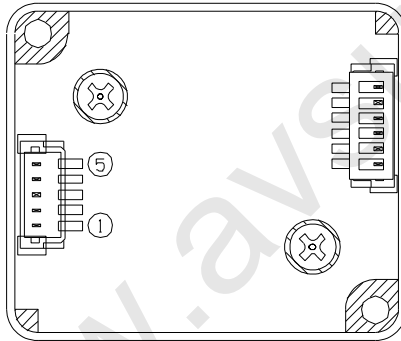
No.	Signal Type
1	Power Input
2	GND
3	Video Output
4	GND
5	Mirror Image

* Horizontal Mirror Image appears when the 5pin is connected to the GND

B. STC-N64/P64

Communication Connector: A Communication JIG is required for communication.

No.	Signal Type
5	Mirror Image
4	GND
3	Video Output
2	GND
1	Power Input

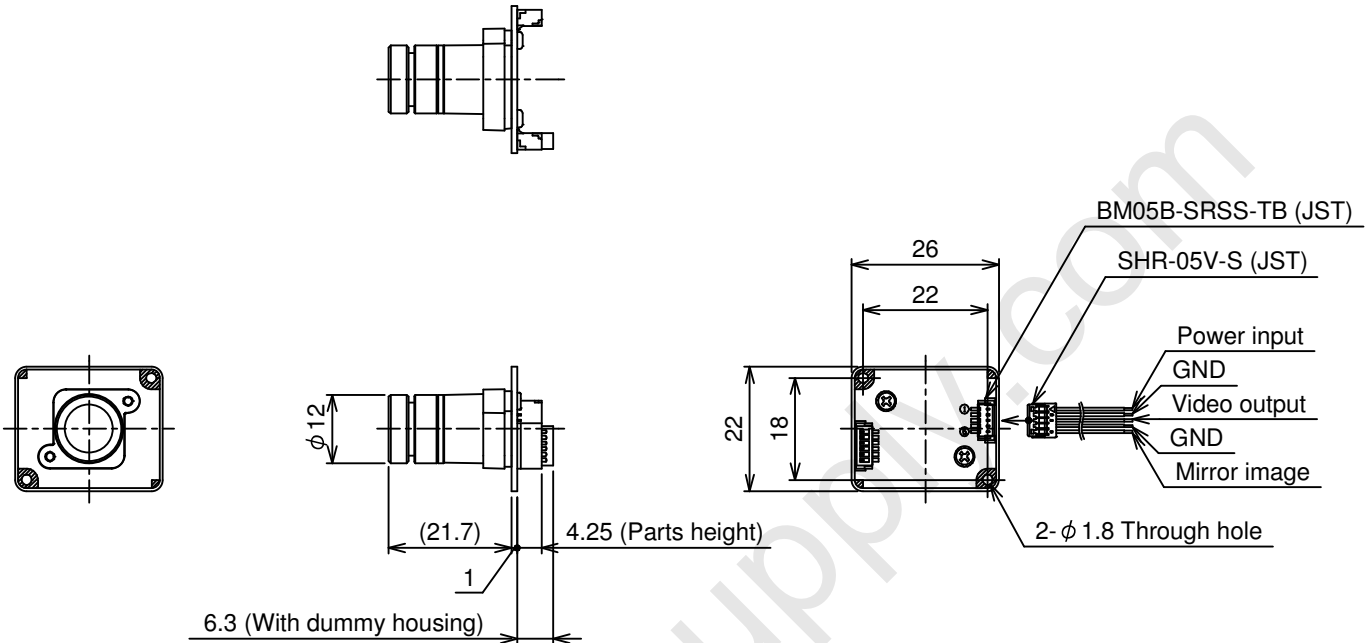


* Horizontal Mirror Image appears when the 5pin is connected to the GND

III. Dimensions

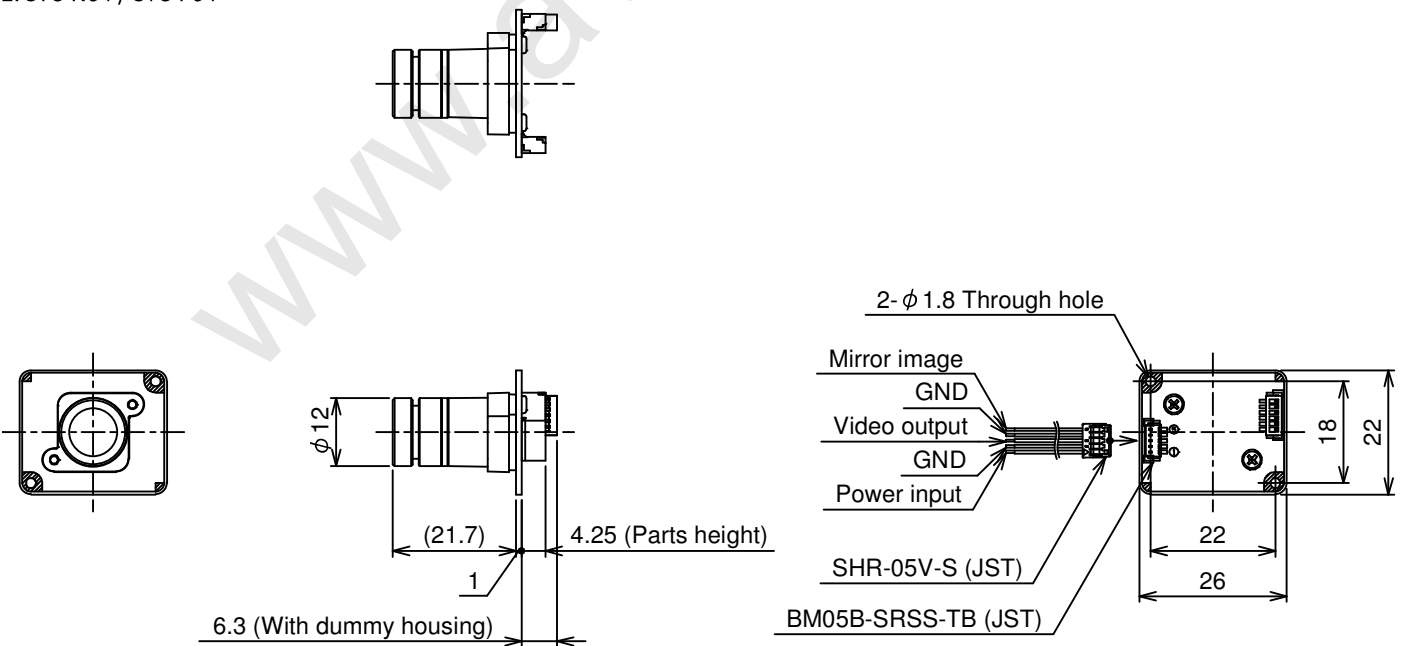
A. Fixed Lens Type (with 3.0mm lens)

1. STC- N54 / STC-P54



Unit: mm

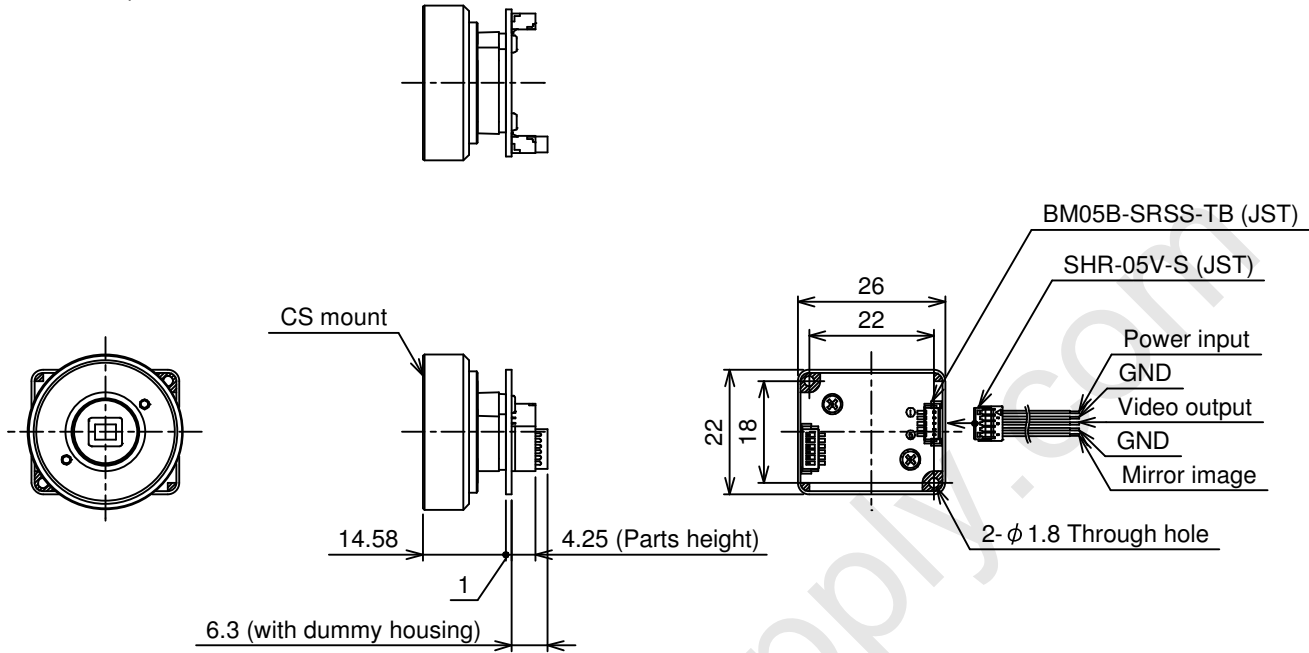
2. STC-N64 / STC-P64



Unit: mm

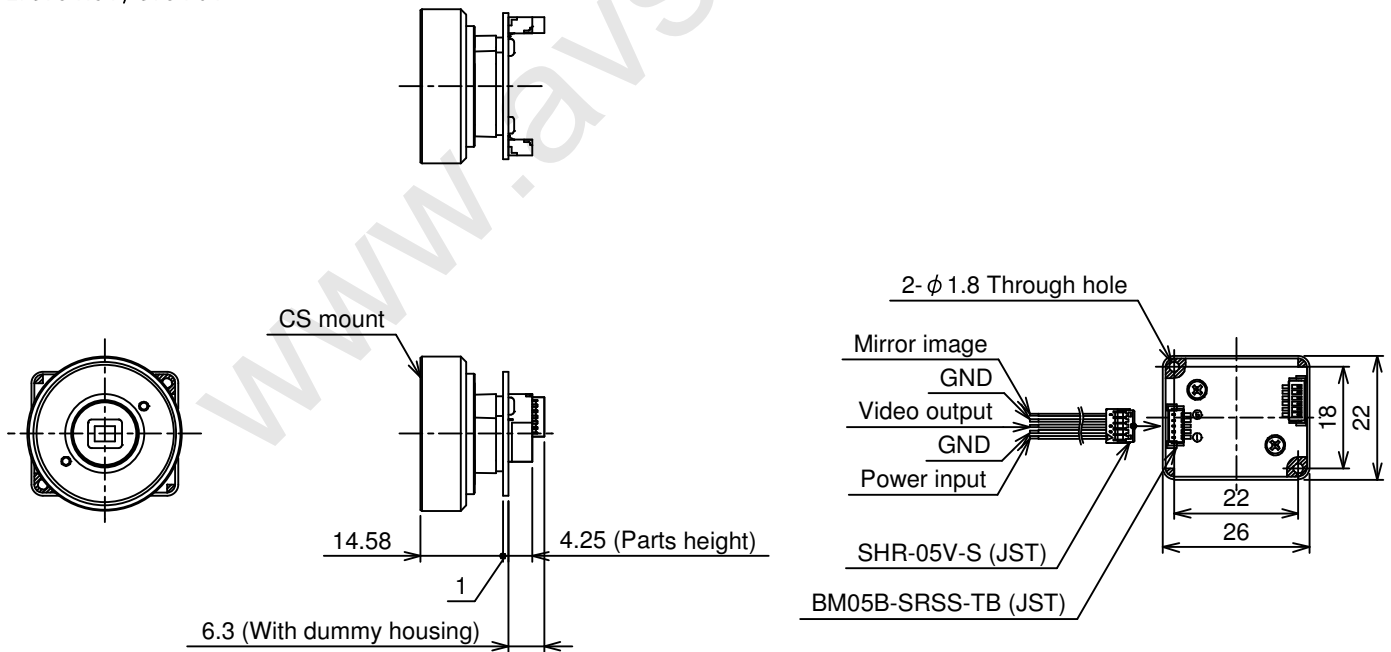
B. CS Type

1. STC- N54 / STC-P54



Unit: mm

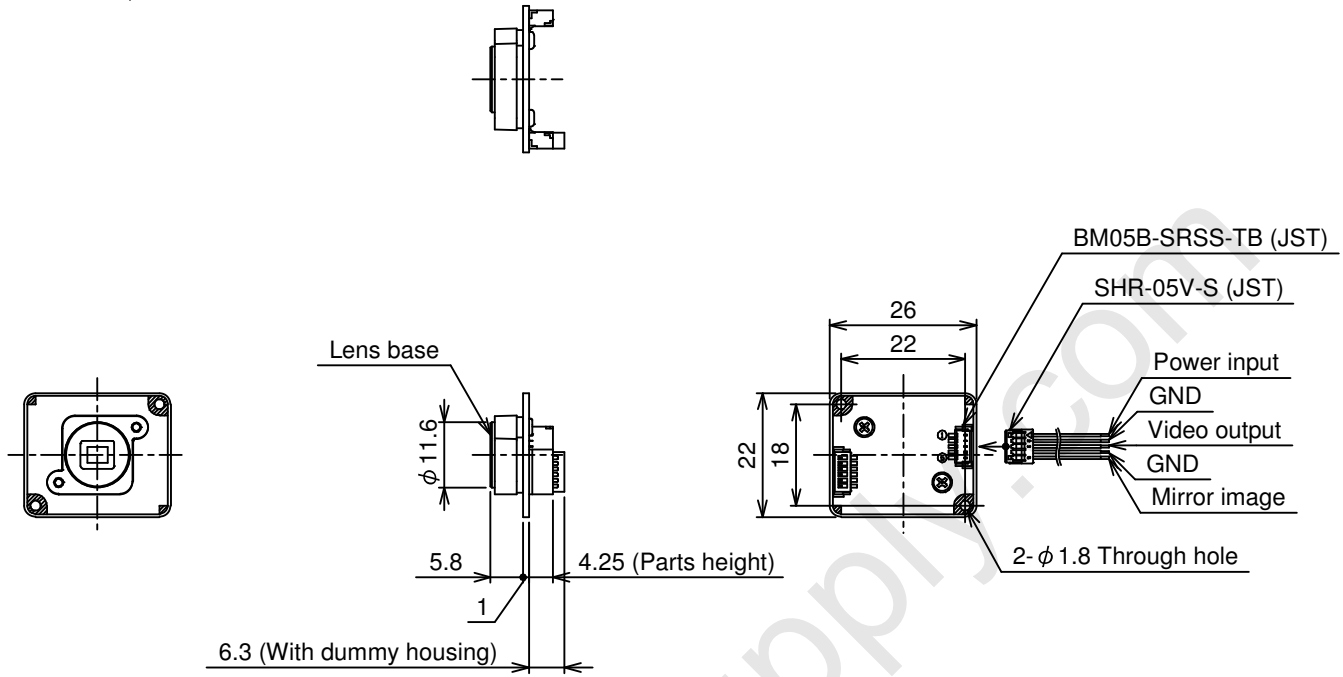
2. STC-N64 / STC-P64



Unit: mm

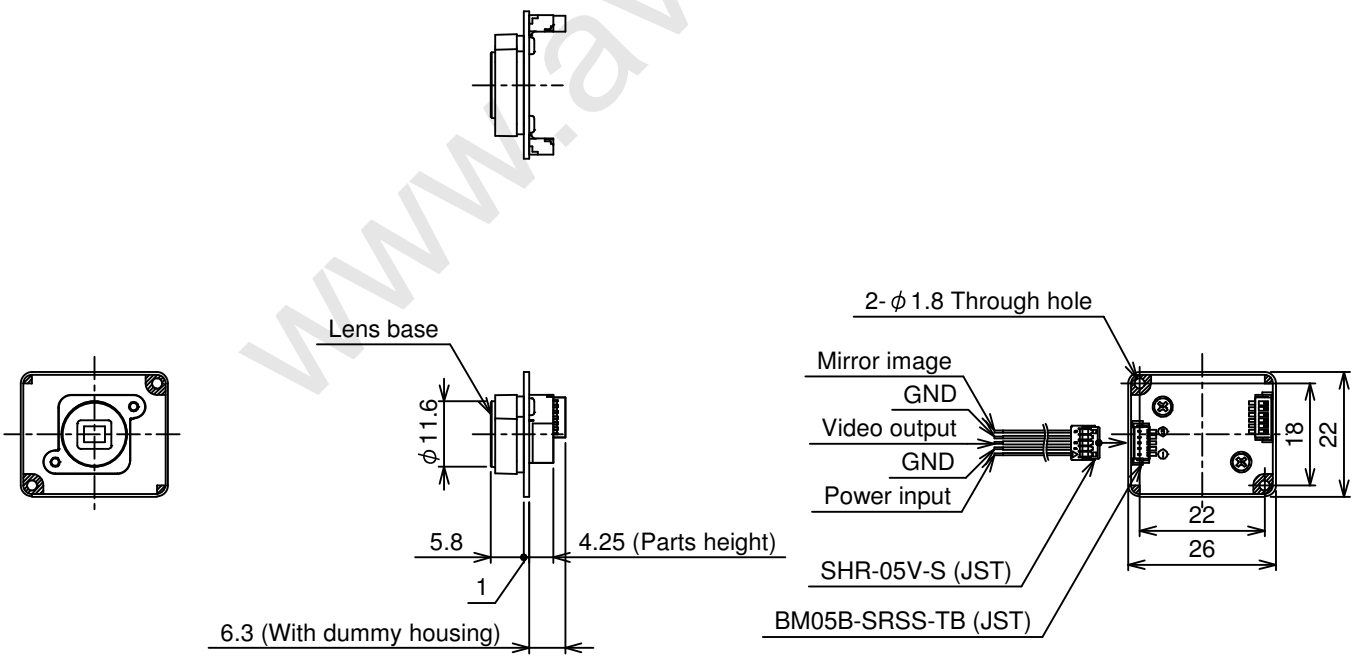
C. Without Lens Type

1. STC- N54 / STC-P54



Unit: mm

2. STC-N64 / STC-P64

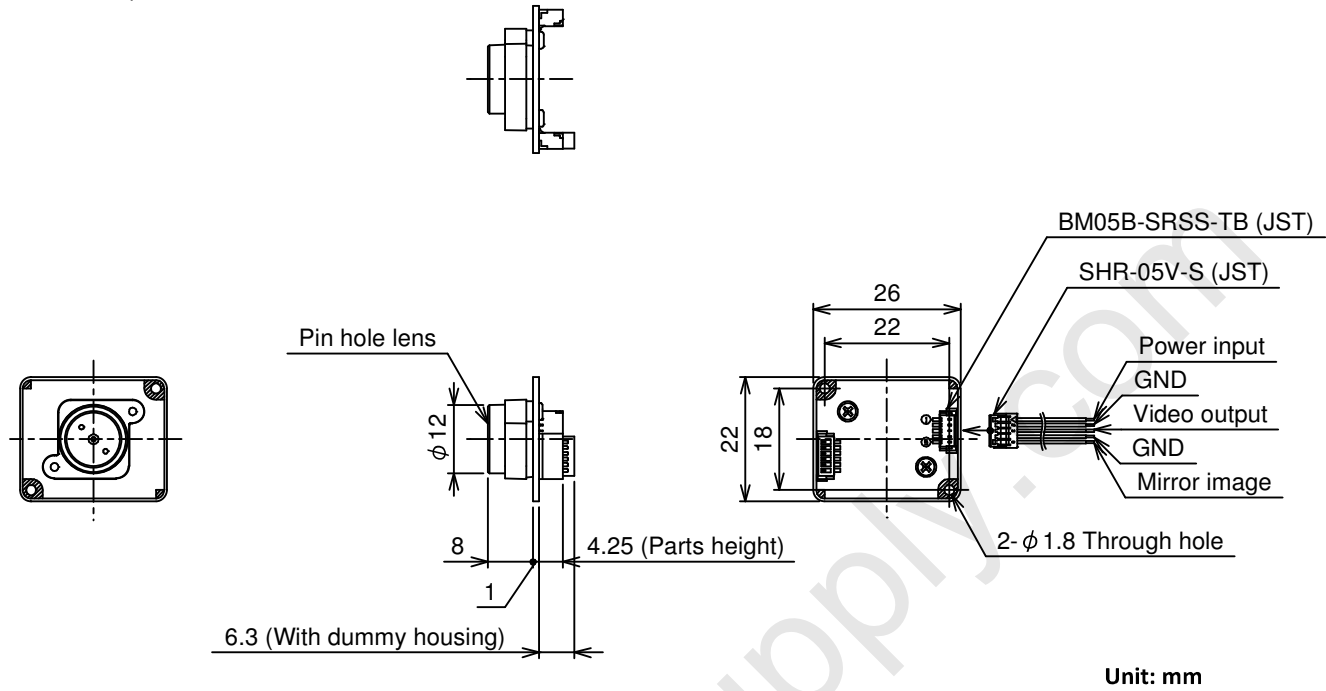


Unit: mm

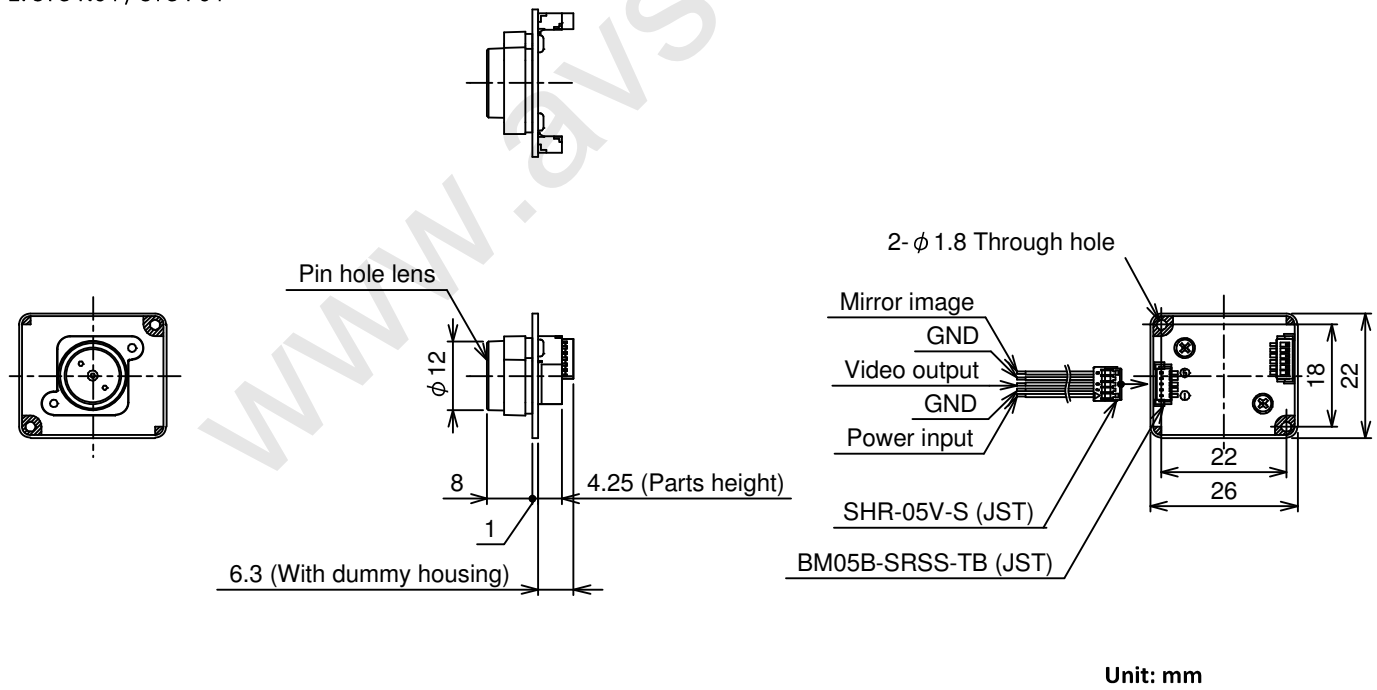
Distributed By: Audio Video Supply -- Tel: 1-800-284-2288 -- www.avsupply.com

D. Pinhole Lens Type

1. STC- N54 / STC-P54



2. STC-N64 / STC-P64



Revisions

Rev	Date	Changes	Notes
1.0	Feb. 1, 2012	New Document	
	Feb. 27, 2012	Removed all of the "B" at the end of part numbers	"B" is STJ's nomenclature

www.avsupply.com

Distributed By: Audio Video Supply -- Tel: 1-800-284-2288 -- www.avsupply.com

www.avsupply.com

Distributed By: Audio Video Supply -- Tel: 1-800-284-2288 -- www.avsupply.com

Senor Technologies America, Inc.

1345 Valwood Parkway, Suite 320
Carrollton, Texas 75006-6891
TEL (972)481-9223 FAX(972) 481-9209
URL <http://www.sentechamerica.com/>

Sensor Technology Co., Ltd.

7F, Harada Center Building
9-17, Naka cho 4 chome
Atsugi-city, Kanagawa
243-0018 Japan
TEL +81-46-295-7061 FAX +81-46-295-7066
URL <http://www.sentech.co.jp/>

Taiwan Sensor Technology, Inc.

3F-6, No. 9, Aiguo W, Rd., Jhong Jheng District
Taipei City 100, Taiwan, R.O.C.
TEL 886-2-2383-2331 FAX 886-2-2370-8775
EMAIL sentech0501@yahoo.com.tw