

## GigE POE, Sony CMOS 2.3MP, Color & Mono Progressive

# GigE

### GigE POE Sony CMOS Cameras

STC-SBS241POE 【Mono】      STC-SCS241POE 【Color】

Sentech is releasing a brand new GigE Vision, 2.3MP color and monochrome GigE Vision cameras. The STC-SCS241POE and STC-SBS241POE features 165 FPS, and a dazzling 2.3MP resolution. Utilizing CMOS Global Shutter, these camera are capable of capturing moving objects without any motion blur. By utilizing the GigE Vision interface, speed and power have never been easier to use.



**GigE**<sup>™</sup>  
VISION

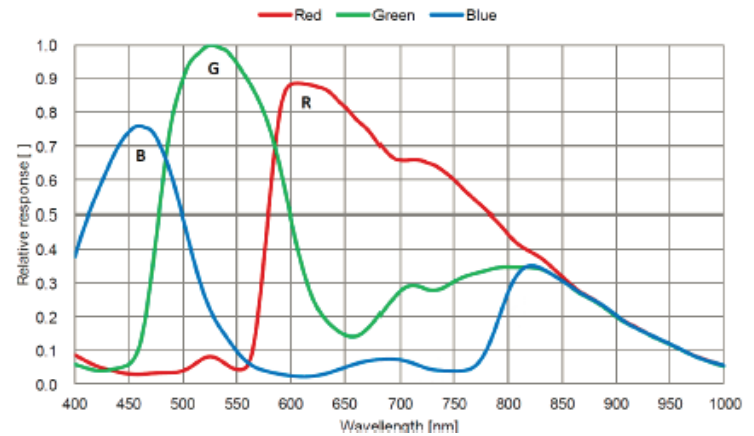
#### Features

- Sony 1/1.2 Progressive CMOS
- 2.35 MP Resolution
- 165 FPS
- 1920 (H) x 1200 (V)
- GigE Vision POE
- Global Shutter

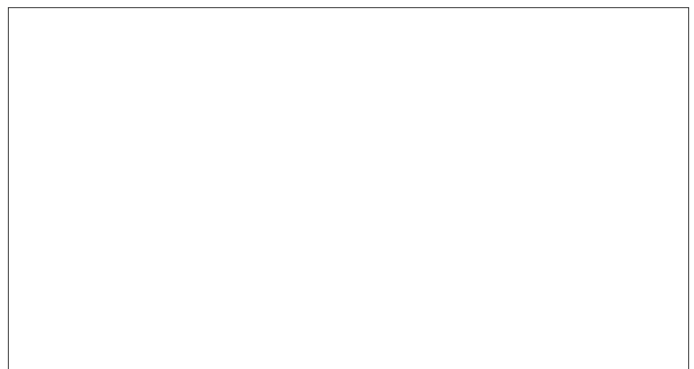
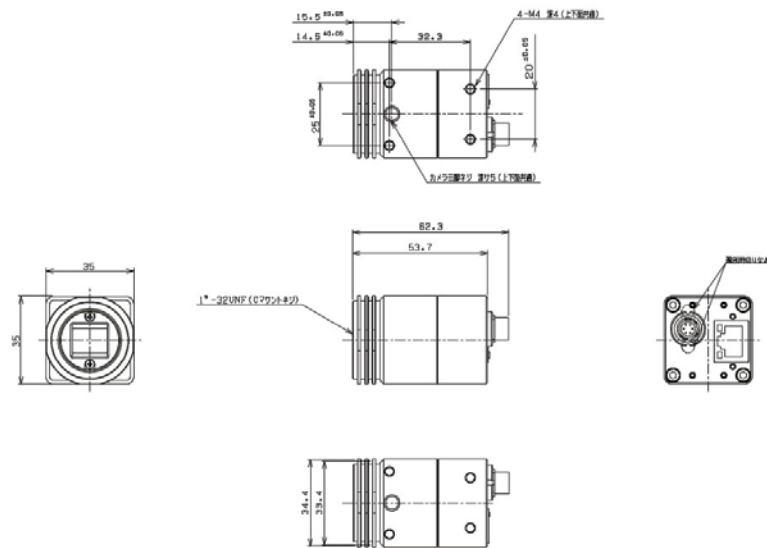
## Specifications

Model Numbers	: STC-SCS241POE (Color) STC-SBS241POE (Monochrome)
Image Sensor	: 1/1.2" 2.3 MP Color CMOS (Sony: IMX174) 1/1.2" 2.3 MP Monochrome CMOS (Sony: IMX174)
Shutter Type	: Global Shutter
Active Picture Element	: 1920 (H) X 1200 (V)
Cell Size	: 5.86 (H) x 5/86 (V) $\mu$
Scanning System	: Progressive
Scanning mode	: Full scanning (Full resolution) / ROI
Frame Rate	: 45 Hz at full resolution Maximum frame rate is 1628.29 Hz when ROI setting is 16 x 2
ADC Bit Depth	: 12bit
Video Output	:
- Color:	8/10/12 bit Raw, BayerGR8, BayerGR10, BayerGR10Packed, BayerGR12, BayerGR12Packed, RGB8Packed (Default: 8bit Raw)
- Monochrome:	8/10/12 bit Raw (Default: 8bit Raw)
Noise Level	:
- @ 8 Bit Output	<= 1.3 Digit (Gain 0 dB)
- @ 10 Bit Output	<= 5.5 Digit (Gain 0 dB)
- @ 12 Bit Output	<= 22 Digit (gain 0 dB)
Sensitivity	: TBD
Minimum Scene Illumination	: TBD
ALC	: Auto shutter / Auto gain (AGC) / Manual (Default: Auto shutter OFF, AGC OFF)
Electronic Shutter	: 30 useconds to 16,777,215 useconds
Interface	: PoE: IEEE802.3af CLASS2 (1000BASE-T)
Protocol	: GigE Vision® 1.2 and GenICam™ 2.0 Compliant
Gain	: Analog: 0 to 24 dB (Default: 0dB) Digital: 0 to 6 dB (Default: 0dB)
Gamma	: Gamma 1.0 or uploadable gamma table (Default: 1.0)
Decimation Function	: Individual x2 Horizontal, Vertical decimation
Mirror Image	: Hor. / Ver. / Horizontal and vertical / Off (Default: Off)
White Balance	:
- Color	Auto / Manual / Push to Set (Default: Manual)
- Monochrome	N/A
Operating Mode	: Free-run / Edge preset trigger / Pulse width trigger (Default: Free-run)
Power	:
- Input Voltage	: +10.8 to +26.4 Vdc via power-I/O connector or POE (Power-I/O connector power supply is prioritized.)
- Consumption	: 12V: 2.9W / 2.8W, PoE: 3.3W / 3.1W
Dimensions	: 35 (W) x 35 (H) x 53.4 (D) mm (excluding connectors)
Lens Mount	: C Mount
Weight	: Approximately 100 g
RoHS Compliance	: RoHS Compliant

## Spectral Sensivity



## Dimensions



※Specifications are subject to change without notice.