

REGURUS

[SPECIFICATIONS] **1.3Mega Pixel + Day&Night IR Lens**

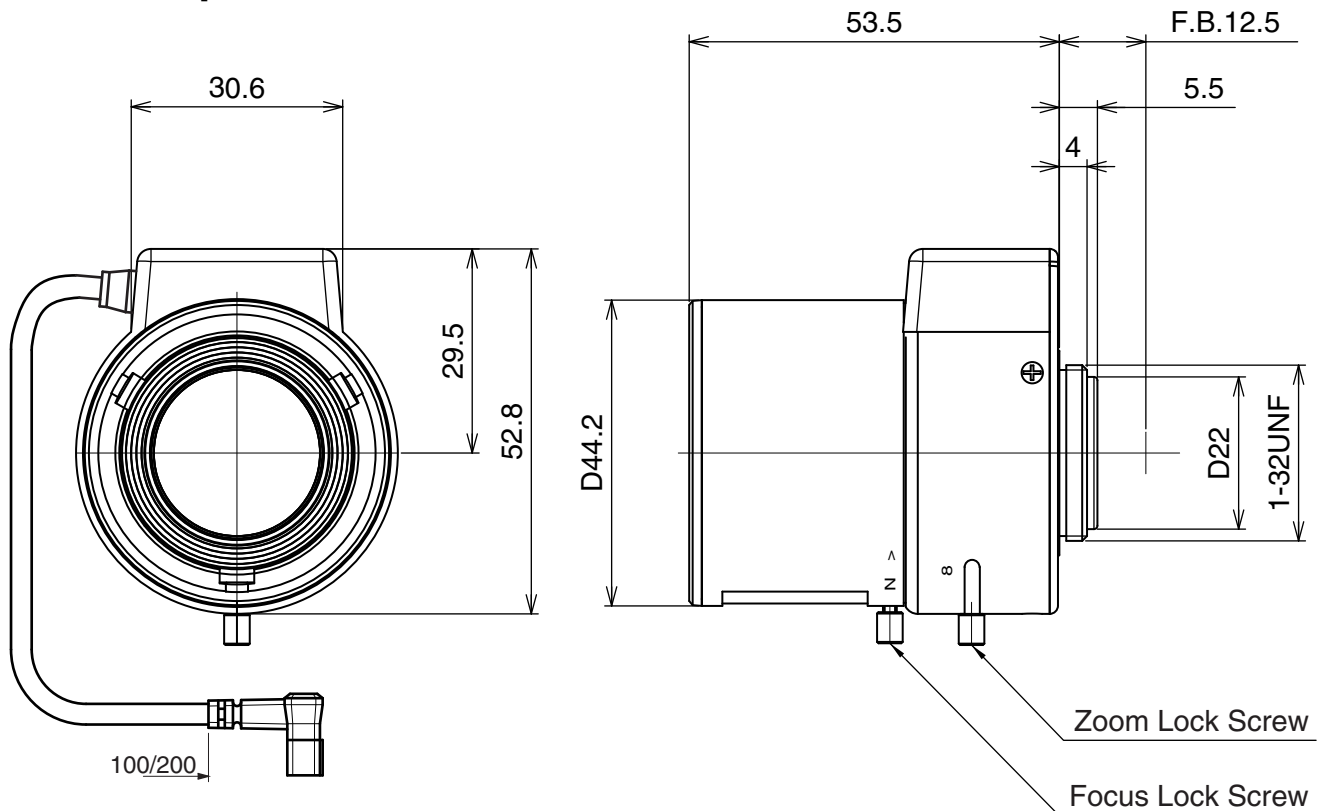
Image Size: $\frac{1}{3}$ $\frac{1}{4}$

Focal Length :	3.3 - 8.0mm	Optical Back Focal Distance :	7.21 - 12.61 mm (In Air)
Maximum Relative Aperture :	1:1.4	Flange Back:	12.5 mm
Iris :	F1.4 - Approx.360 (With ND Spot Filter)	Operation Voltage:	Close to Open : Less than 4V Open to Close : More than 0.5V
Angular Field of View :	87.9 X 64.5 deg.at 3.3 mm 35.0 X 26.2 deg.at 8.0 mm	Operation :	Focus : Manual Zoom : Manual Iris : IG(Auto Close System)
Image Format :	4.8X3.6mm(D6mm)	Operation Temperature :	-10 to +50
Minimum Object Distance :	0.5m(From Front Vertex)	Mount :	CS-Mount(Adjustable Lens Position)
		Size, Weight :	D44.2 X 53.5 X52.8mm, Approx. 80g

[COMPOSITION]

- Lens1
- Lens Cap1
- Dust Cap1

[DIMENSIONS]



Unit:mm

[CIRCUIT DIAGRAM]

