

# HZ8551AI

[SPECIFICATIONS] 6x Vari-Zoom Lens

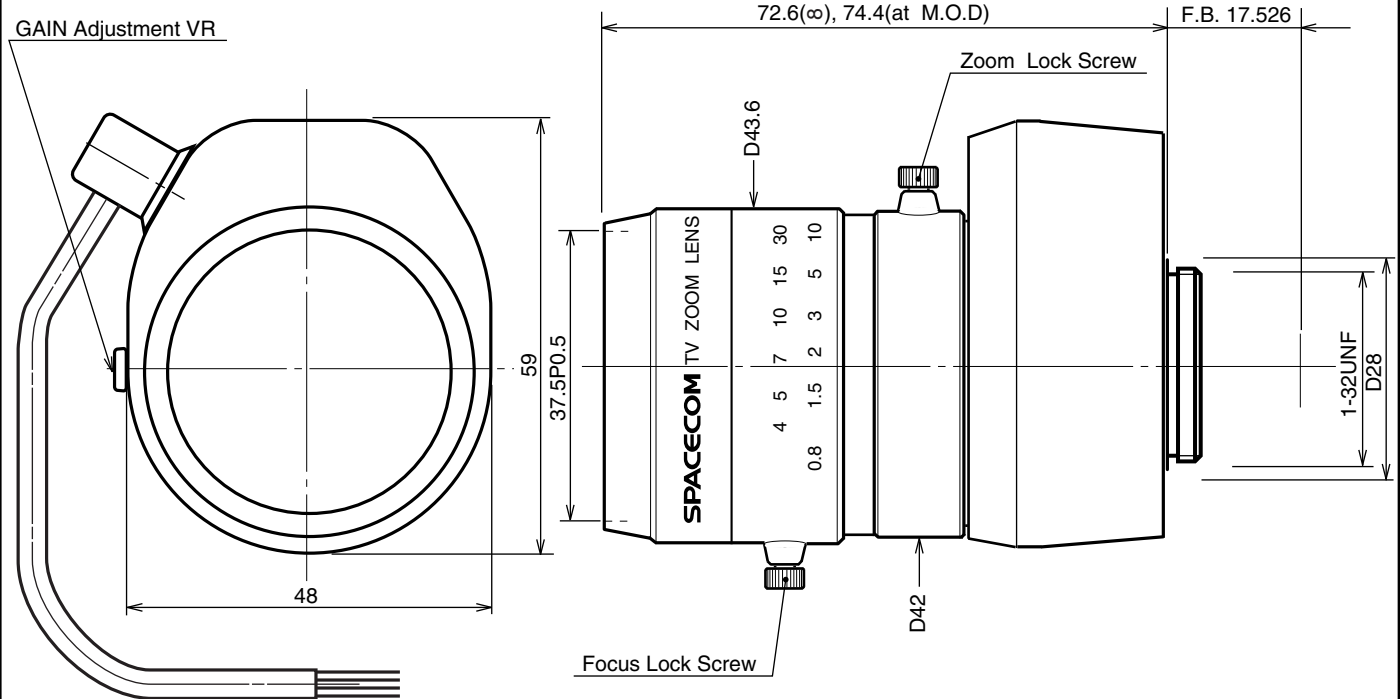
Image Size:  $\frac{1}{2}$   $\frac{1}{3}$   $\frac{1}{4}$

Focal Length :	8.5 - 51mm	Input Impedance :	High Impedance
Maximum Relative Aperture :	1:1.6	Operation : Focus :	Manual
Iris :	F1.6 - Approx. 360 (With ND Spot Filter)	Iris :	EE (DC+8 to 16V : Fixed Voltage, Max40mA) Speed Within 4sec.(Auto Close System)
Sensitivity Adjustment :	0.5 - 1Vp-p(Image Signal)	EE Mechanism :	The built-in EE Amp amplifies the difference between the video signal from the camera and the preset Iris signal level. It causes the Iris to change size.
Angular Field of View :	41.3 X31.5 deg. at 8.5mm 7.2 X 5.4 deg. at 51mm	EE Accuracy :	With Input Video Signal 0.7Vp-p Within+/-10% of Mean Value
Image Format :	6.4X 4.8mm(D8mm)	Operation Temperature :	-10 to +50
Minimum Object Distance :	0.8m(From Front Vertex)	Mount :	C-Mount(Adjustable Lens Position)
Object Dimensions at M.O.D. :	62.8X47.2cm at 8.5mm 10.9X 8.2cm at 51mm	Front Thread :	37.5mm P0.5
Optical Back Focal Distance :	15.89mm(In Air)	Size, Weight :	D43.6X72.6X59mm. 140g
Flange Back :	17.526mm		
Input Signal :	Composite Video Signal or Video Signal		
Photometry Range :	Approx. 40% - 70% Variable to Vp-p		

[COMPOSITION]

- Lens .....1
- Lens Cap .....1
- Dust Cap .....1

[DIMENSIONS]



[CIRCUIT DIAGRAM]

