

HZ880R

Image Size: $\frac{1}{2}$ $\frac{1}{3}$ $\frac{1}{4}$

[SPECIFICATIONS]

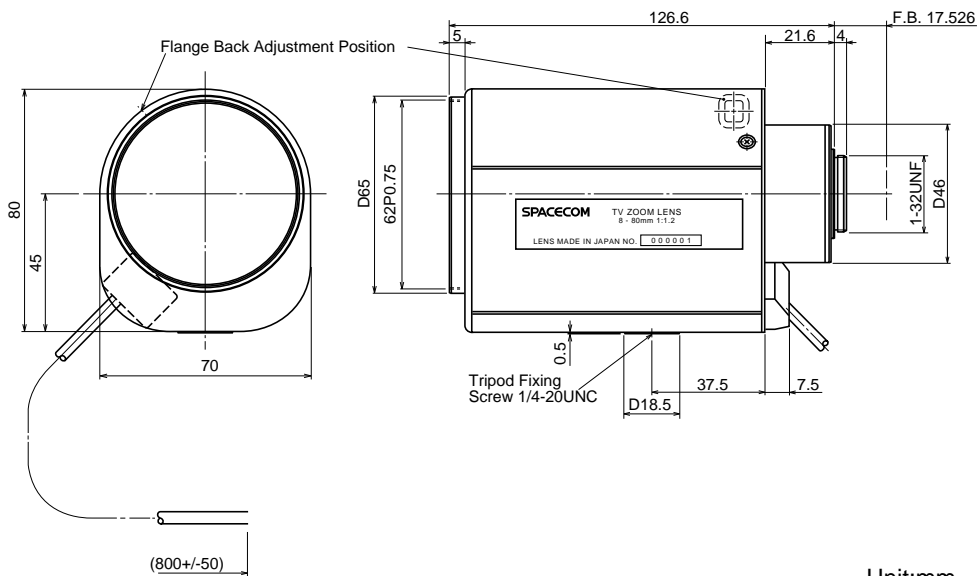
Focal Length : 8 - 80mm
 Maximum Relative Aperture : 1:1.2
 Iris : F1.2 - Close
 Zoom Ratio : 10X
 Angular Field of View : 43.6 X33.4 deg. at 8mm
 4.6 X 3.4 deg. at 80mm
 Image Format : 6.4X4.8mm(D8mm)
 Minimum Object Distance : 1.2m(From Front Vertex)
 Object Dimensions at M.O.D. : 96.0X72.0cm at 8mm
 9.6X 7.1cm at 80mm
 Optical Back Focal Distance : 15.76mm(In Air)

Flange Back : 17.526mm
 Operation : Zoom : Motorized(DC+/-6.4V, Max40mA)
 Speed Approx. 6sec.
 Focus : Motorized(DC+/-6.4V, Max40mA)
 Speed Approx. 7sec.
 Iris : Motorized(DC+/-6.4V, Max40mA)
 Speed Approx. 3.5sec.
 Operation Temperature : -10 to +50
 Mount : C-Mount(Adjustable Lens Position)
 Front Thread : 62mm P0.75
 Size, Weight : 80X70X126.6mm, Approx. 700g

[COMPOSITION]

Lens1
 Lens Cap1
 Dust Cap1

[DIMENSIONS]



[CIRCUIT DIAGRAM]

