

PYXIS 35

JHF35M-5MP

[SPECIFICATIONS] 2/3" format 5.0 Mega Pixel Lens

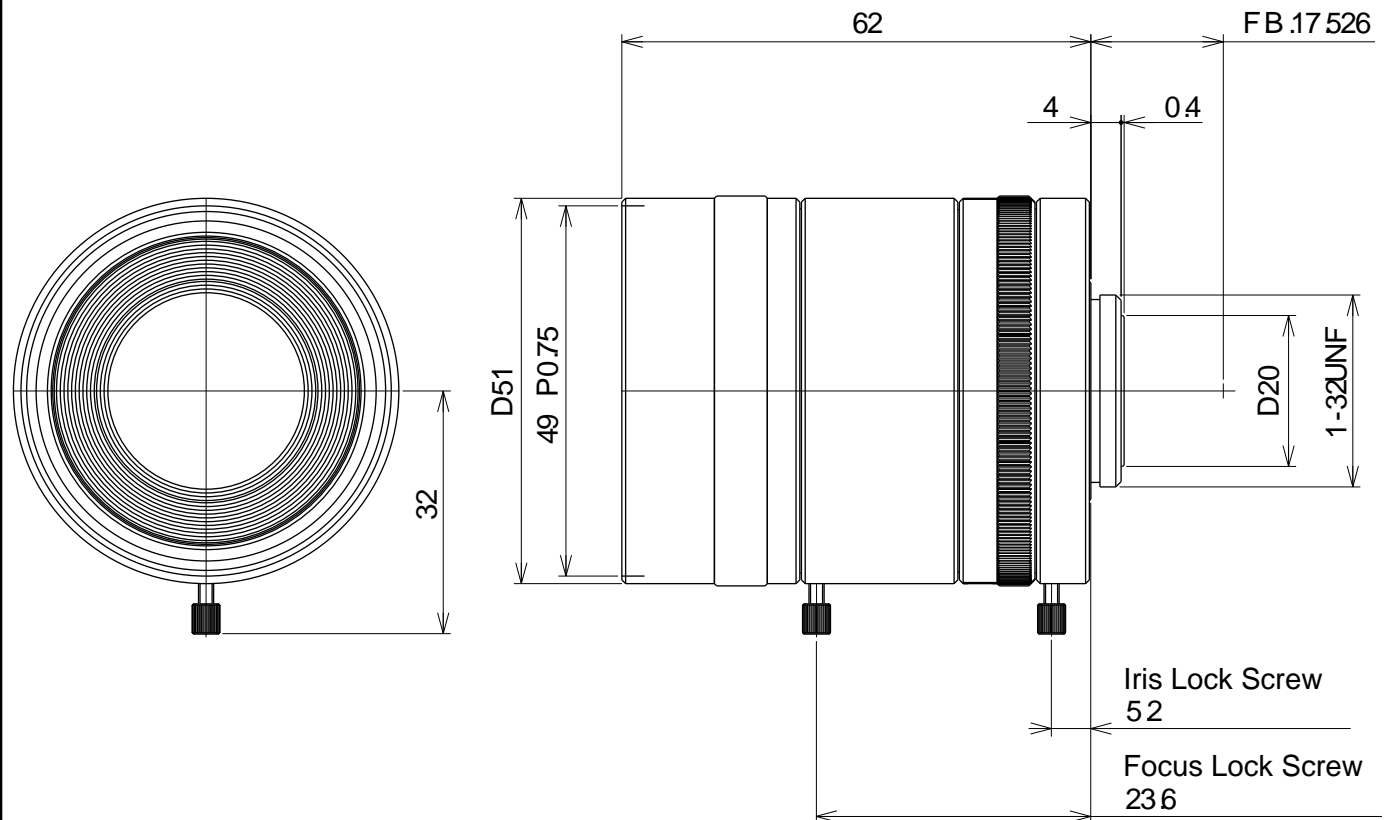
Image Size: $\frac{2}{3}$ $\frac{1}{2}$ $\frac{1}{3}$

Focal Length :	35 mm	Optical Back Focal Distance :	14.03 mm (In Air)
Maximum Relative Aperture :	1:1.4	Flange Back :	17.526 mm
Iris :	F1.4 - 22	Operation :	Focus : Manual Iris : Manual
Angular Field of View :	14.3 X 10.8 deg.	Operation Temperature :	-10 to +50 °C
Image Format :	8.8 X 6.6 mm (D11mm)	Mount :	C-Mount
Minimum Object Distance :	0.25 m (From Front Vertex)	Front Thread :	49mm P0.75
Distortion :	0.07 % (∞) -0.04 % (0.25 m)	Size, Weight :	D51 X 62 mm, Approx. 230g

[COMPOSITION]

- Lens1
- Lens Cap1
- Dust Cap1

[DIMENSIONS]



Unit:mm