

TZ660RAI

[SPECIFICATIONS] F1.0 Motorized Zoom Lens

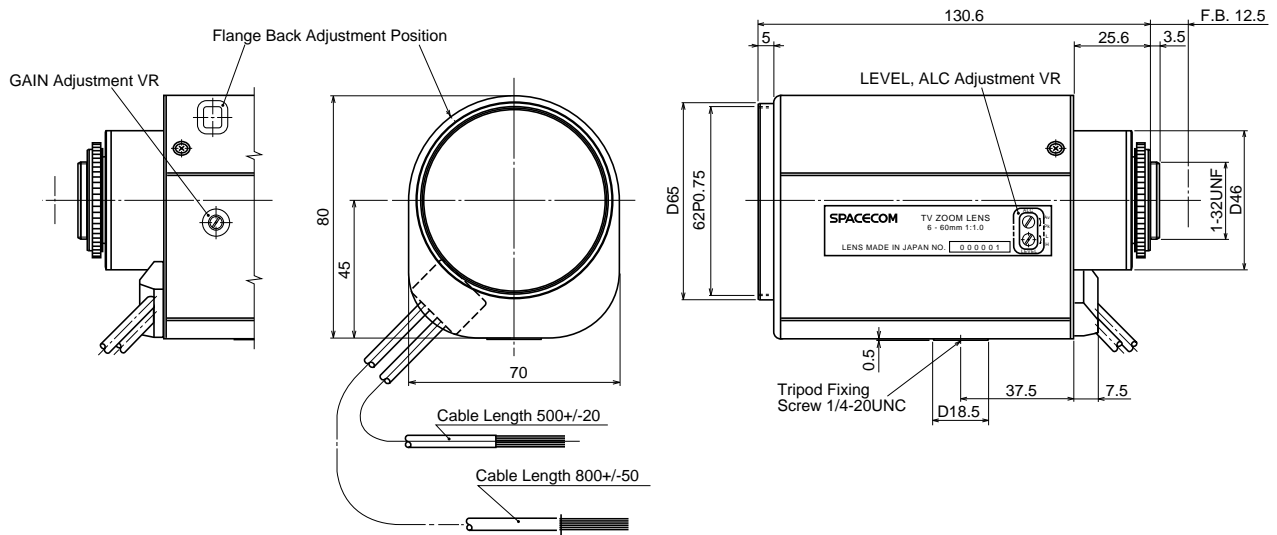
Image Size: $\frac{1}{3}$ $\frac{1}{4}$

Focal Length :	6 - 60mm	Photometry Range :	Approx. 40% - 70% Variable to Vp-p
Maximum Relative Aperture :	1:1.0	Input Impedance :	High Impedance
Iris :	F1.0 - Approx. 1200 (With ND Spot Filter)	Operation : Zoom :	Motorized(DC+/-6.4V, Max40mA) Speed Approx. 6sec.
Zoom Ratio :	10X	Focus :	Motorized(DC+/-6.4V, Max40mA) Speed Approx. 7sec.
Sensitivity Adjustment :	0.5 - 1.0Vp-p(Image Signal)	Iris :	EE (DC+8.5 to 16V : Fixed Voltage, Max60mA) Speed Within 4sec.
Angular Field of View :	43.6 X33.4 deg. at 6mm 4.6 X 3.4 deg. at 60mm	EE Mechanism :	The built-in EE Amp amplifies the difference between the video signal from the camera and the preset Iris signal level. It causes the Iris to change size.
Image Format :	4.8X3.6mm(D6mm)	EE Accuracy :	With Input Video Signal 0.7Vp-p Within+/-15% of Mean Value
Minimum Object Distance :	1.2m(From Front Vertex)	Operation Temperature :	-10 to +50
Object Dimensions at M.O.D. :	96.0X72.0cm at 6mm 9.6X 7.1cm at 60mm	Mount :	CS-Mount(Adjustable Lens Position)
Optical Back Focal Distance :	14.28mm(In Air)	Front Thread :	62mm P0.75
Flange Back :	12.5mm	Size, Weight :	80X70X130.6mm, Approx. 700g
Input Signal :	Composite Video Signal or Video Signal		

[COMPOSITION]

- Lens1
- Lens Cap1
- Dust Cap1

[DIMENSIONS]



Unit:mm

[CIRCUIT DIAGRAM]

