

## DFK 61AUC02 Color Camera

The Imaging Source "61" Series USB 2.0 Camera



**Only 50.6x50.6x29 mm**

Lens not included

The Imaging Source DFK 61AUC02 color camera has a USB 2.0 interface and is the perfect solution for many industrial automation, quality assurance, security, surveillance and medical applications. The color camera ships with the very sensitive 1/2" Micron CMOS MT9T031 sensor. With up to 10 images per second, the DFK 61AUC02 is a low cost, yet highly versatile imaging solution. The camera includes a C to CS mount adapter, making it compatible to C and CS mount lenses. Using the optional CS to M12 board lens adapter, the camera is also compatible to M12 board lenses.

Drivers, SDKs, programming samples, extensions and end-user software for Microsoft Windows can be freely downloaded from our web site (see below). Community-driven, Open Source projects allow the camera to be used on Linux. Extensions for Microsoft Windows enable the camera to be integrated in to common machine vision software libraries, such as LabView. In addition, the camera is compatible to the Open Source computer vision library, OpenCV.

### Features

- USB 2.0 interface.
- 1/2" Micron CMOS MT9T031.
- Global shutter.
- Up to 2,048 x 1,536 (3.1 MP).
- Up to 10 images per second.
- Compatible to C and CS mount lenses.
- Only 50.6 x 50.6 x 29 mm.

### Accessories

- CS to C mount adapter (shipped as standard).
- CS to M12 board lens adapters.
- C and CS mount lenses.
- M12 board lenses.
- Standard USB 2.0 cable in various lengths.
- 5 m USB 2.0 cable with fixing screws.

### Device Drivers

Device Driver for The Imaging Source USB 2.0 Cameras.

### Software Development Kits (SDKs)

IC Imaging Control .NET Component, C++ Class Library, IC Imaging Control C Library, IC Imaging Control for VC++ 6.0, IC Imaging Control ActiveX and IC Imaging Control ActiveX Runtime Setup.

### Programming Samples

Barcode Scanner C# Sample for IC Imaging Control.

### Extensions

TWAIN Source for IC Imaging Control, Cognex VisionPro AIK Plugin for IC Imaging Control, ActivisionTools Driver for IC Imaging Control, HALCON Extension for IC Imaging Control, LabVIEW Extension for IC Imaging Control and IC Matlab Plugin for Matlab 10.0.

### End User Software

IC Capture, Image Acquisition.

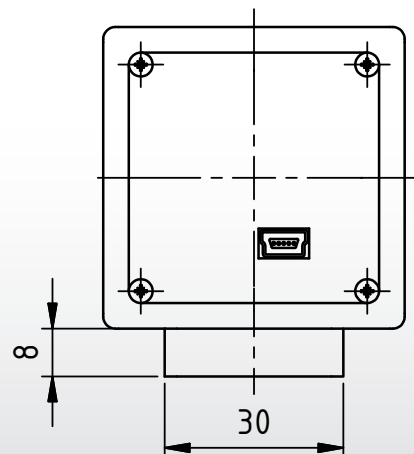
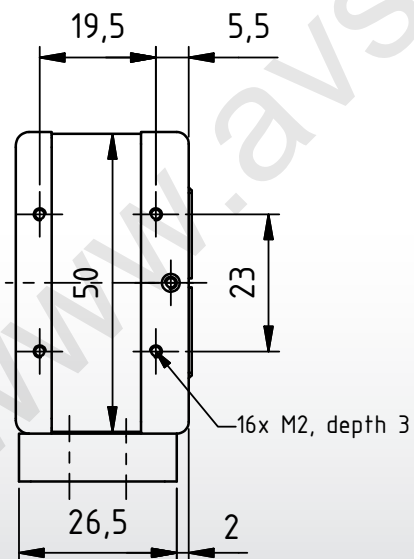
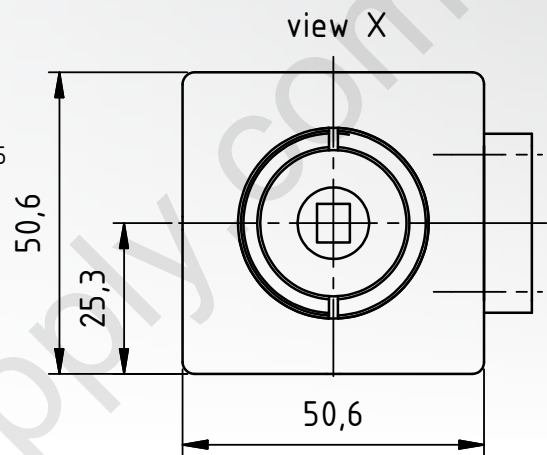
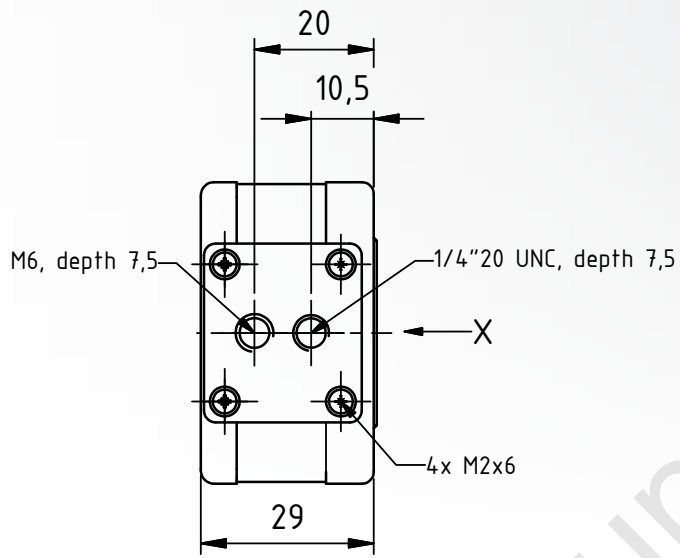
### Software Tools

Processor Idle State Manager.

## DFK 61AUC02 Specification

GENERAL BEHAVIOR	
Example Configurations	
Resolution	Format      FPS      Sensitivity
2,048 x 1,536 (3.1 MP)	1/2 "      10      1 V/lux-sec
1,024 x 768 (0.8 MP)	1/4 "      35.5      1 V/lux-sec
Set resolution, format, FPS and sensitivity with shipped software.	
Color format	BY8, Y800, RGB32
Dynamic range	8 bit
INTERFACE (OPTICAL)	
IR cut filter	yes
Sensor specification	<a href="#">Micron MT9T031</a>
Shutter	Rolling
Format	1/2 "
Resolution	H: 2,048 pixel, V: 1,536 pixel
Pixel size	H: 3.2 μm, V: 3.2 μm
Lens mount	C/CS
INTERFACE (ELECTRICAL)	
Supply voltage	4.5 VDC to 5.5 VDC
Current consumption	approx 250 mA at 5 VDC
INTERFACE (MECHANICAL)	
Dimensions	H: 50.6 mm, W: 50.6 mm, L: 29 mm
Mass	140 g
ADJUSTMENTS (MANUAL)	
Shutter	1/10,000 s to 4 s
Gain	0 dB to 18 dB
White balance	-6 dB to 6 dB
ADJUSTMENTS (AUTOMATIC)	
Shutter	1/10,000 s to 4 s
Gain	0 dB to 18 dB
White balance	-6 dB to 6 dB
ENVIRONMENTAL	
Temperature (operation)	-5 °C to 45 °C
Temperature (storage)	-20 °C to 60 °C
Humidity (operation)	20 % to 80 % non-condensing
Humidity (storage)	20 % to 95 % non-condensing
Subject to change	

## DFK 61AUC02 Dimensional Diagram



Dimensions: mm  
 Tolerances: DIN ISO 2768m



## Machine Vision - Designed in Germany



Ever since The Imaging Source was founded in 1990, it has been one of the leading manufacturers of industrial cameras, frame grabbers and video converters for automation, quality assurance, logistics, medicine, science and security.

Our extensive range of industrial cameras ships with USB 3.0, USB 2.0, GigE, FireWire 800 and FireWire 400 interfaces. Thanks to their multi-purpose features and extremely high quality standards, the cameras are commonly used in demanding applications.

The software support offered by the cameras fulfill the requirements of demanding end-users and programmers. The cameras can be put into operation within a few minutes, or integrated into new or existing applications with only a few lines of code. All camera drivers are Microsoft certified. The ease with which the cameras can be integrated, the corresponding low integration costs, and the high quality of the software set the industry standard.

All cameras, frame grabbers and video converters, manufactured by The Imaging Source, are the result of decades of experience, uncompromisingly high quality standards, and continual development. Developers and system engineers prefer The Imaging Source cameras due to their ease of system integration.

## World Class Support



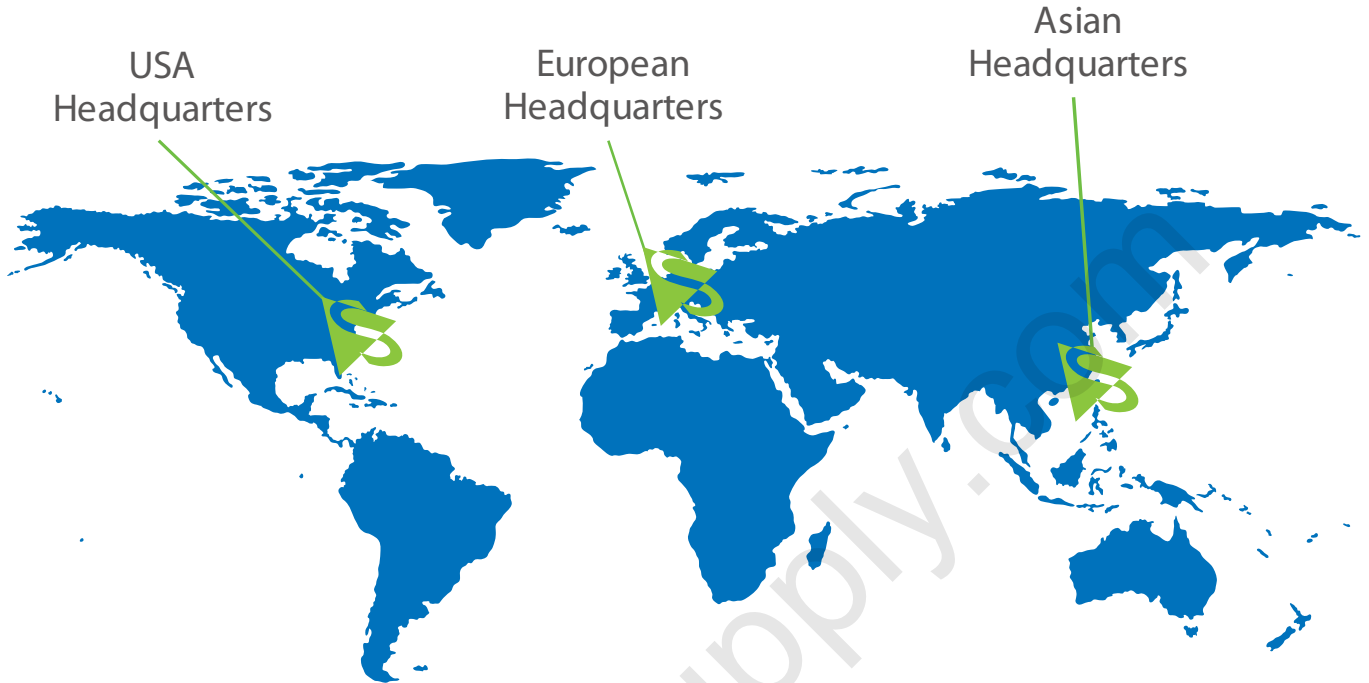
What really separates The Imaging Source from its competitors is the unsurpassed customer service and technical support we provide for our products.

Industrial cameras consist of two basic components: Hardware and software. We guarantee fast and efficient support for both components through our highly skilled support representatives and expert product developers. Not only will we provide support regarding technical issues, but we will also work to provide assistance with software implementation issues.

All cameras, frame grabbers and video converters, manufactured by The Imaging Source, are compatible with IC Imaging Control. Using this SDK, programmers can quickly integrate our machine vision devices into their own applications.

Download IC Imaging Control, drivers, extensions and programming samples from our web site:  
[www.theimagingsource.com](http://www.theimagingsource.com)





PRESENT ALL OVER THE WORLD.

**THE IMAGING SOURCE,  
LLC**

6926 Shannon Willow Rd,  
Suite 400,  
Charlotte, NC 28226,  
United States.

Tel: +1 704-370-0110  
Fax: +1 704-542-0936

**THE IMAGING SOURCE  
EUROPE GMBH**

Sommerstrasse 36,  
28215 Bremen,  
Germany.

Tel: +49 (0)421 335 91 0  
Fax: +49 (0)421 335 91 80

**THE IMAGING SOURCE  
ASIA CO., LTD.**

6F.-1, No.230, Sec.3, Bade Rd,  
Songshan District,  
Taipei City 105,  
Taiwan.

Tel: +886 2-2577-1228  
Fax: +886 2-2577-1229

All product and company names in this document may be trademarks and tradenames of their respective owners and are hereby acknowledged. The Imaging Source, LLC cannot and does not take any responsibility or liability for any information contained in this document. The source code in this document may be used exclusively used for educational purposes. The Imaging Source, LLC does not assume any kind of warranty expressed or implied, resulting from the use of the content of this document or the source code. The Imaging Source, LLC reserves the right to make changes in specifications, function or design at any time and without prior notice.

All weights and dimensions are approximate. Unless otherwise specified the lenses shown in the context of cameras are not shipped with these cameras.

Reprint, also in parts, only allowed with permission of The Imaging Source, LLC.

Last update: August 2, 2013 12:39 PM. © 2013 The Imaging Source, LLC. All rights reserved.

For design help, accessories or pricing, please contact:  
sales@avsupply or call: 1-858-565-1101