



Technical Details



# DMK 33GX264 Technical Reference Manual



|   |           |
|---|-----------|
| <b>1. Quick Facts</b>                                 | <b>4</b>  |
| <b>2. Dimensional Diagrams</b>                        | <b>6</b>  |
| 2.1 DMK 33GX264 C-Mount with Tripod Adapter .....     | 6         |
| 2.2 DMK 33GX264 C-Mount without Tripod Adapter .....  | 7         |
| 2.3 DMK 33GX264 CS-Mount with Tripod Adapter .....    | 8         |
| 2.4 DMK 33GX264 CS-Mount without Tripod Adapter ..... | 9         |
| <b>3. I/O Connector</b>                               | <b>10</b> |
| 3.1 6-pin I/O Connector .....                         | 10        |
| 3.1.1 TRIGGER_IN .....                                | 10        |
| 3.1.2 STROBE_OUT .....                                | 11        |
| <b>4. Spectral Characteristics</b>                    | <b>12</b> |
| 4.1 Spectral Sensitivity - IMX264LLR-C .....          | 12        |
| <b>5. Camera Controls</b>                             | <b>13</b> |
| <b>5.1 Sensor Readout Control</b> .....               | <b>13</b> |
| 5.1.1 Pixel Format .....                              | 13        |
| 5.1.1.1 8-Bit Monochrome .....                        | 13        |
| 5.1.1.2 12-Bit Packed Monochrome .....                | 14        |
| 5.1.1.3 16-Bit Monochrome .....                       | 14        |
| 5.1.2 Resolution .....                                | 14        |
| 5.1.3 Readout Modes .....                             | 15        |
| 5.1.4 Frame Rate .....                                | 15        |
| 5.1.5 Partial Scan Offset .....                       | 17        |
| 5.1.6 Image Flipping .....                            | 17        |
| <b>5.2 Image Sensor Control</b> .....                 | <b>18</b> |
| 5.2.1 Exposure Time .....                             | 18        |
| 5.2.2 Gain .....                                      | 18        |
| 5.2.3 Black Level .....                               | 19        |
| <b>5.3 Automatic Exposure and Gain Control</b> .....  | <b>19</b> |
| 5.3.1 Auto Exposure .....                             | 20        |
| 5.3.2 Auto Gain .....                                 | 20        |
| 5.3.3 Auto Reference Value .....                      | 20        |
| 5.3.4 Highlight Reduction .....                       | 20        |
| 5.3.5 Auto Exposure Limits .....                      | 21        |
| 5.3.6 Auto Gain Limits .....                          | 22        |
| <b>5.4 Trigger</b> .....                              | <b>22</b> |
| 5.4.1 Trigger Mode .....                              | 22        |
| 5.4.2 Trigger Polarity .....                          | 22        |
| 5.4.3 Software Trigger .....                          | 23        |
| 5.4.4 Trigger Burst Count .....                       | 23        |



# Table of Contents

|             |  |           |
|-------------|--|-----------|
| 5.4.5       | Trigger Source .....                               | 23        |
| 5.4.6       | Trigger Overlap .....                              | 24        |
| 5.4.7       | IMX Low-Latency Mode .....                         | 24        |
| <b>5.5</b>  | <b>Trigger Timing Parameters .....</b>             | <b>25</b> |
| 5.5.1       | Trigger Delay .....                                | 25        |
| 5.5.2       | Trigger Debounce Time .....                        | 25        |
| 5.5.3       | Trigger Mask Time .....                            | 25        |
| 5.5.4       | Trigger Noise Suppression Time .....               | 26        |
| <b>5.6</b>  | <b>Digital I/O .....</b>                           | <b>26</b> |
| 5.6.1       | General Purpose Input .....                        | 26        |
| 5.6.2       | General Purpose Output .....                       | 27        |
| <b>5.7</b>  | <b>Strobe .....</b>                                | <b>27</b> |
| 5.7.1       | Strobe Enable .....                                | 27        |
| 5.7.2       | Strobe Polarity .....                              | 28        |
| 5.7.3       | Strobe Operation .....                             | 28        |
| 5.7.4       | Strobe Duration .....                              | 28        |
| 5.7.5       | Strobe Delay .....                                 | 29        |
| <b>5.8</b>  | <b>Image Processing .....</b>                      | <b>29</b> |
| 5.8.1       | Gamma .....  | 29        |
| 5.8.2       | Lookup Table .....                                 | 29        |
| <b>5.9</b>  | <b>Region of Interest for Auto Functions .....</b> | <b>30</b> |
| 5.9.1       | Auto Functions ROI Enable .....                    | 30        |
| 5.9.2       | Auto Functions ROI Preset .....                    | 31        |
| 5.9.3       | Auto Functions ROI Custom Rectangle .....          | 31        |
| <b>5.10</b> | <b>User Sets .....</b>                             | <b>32</b> |
| 5.10.1      | User Set Selector .....                            | 32        |
| 5.10.2      | Load User Set .....                                | 33        |
| 5.10.3      | Save User Set .....                                | 33        |
| 5.10.4      | Default User Set .....                             | 33        |
| <b>6.</b>   | <b>Revision History .....</b>                      | <b>34</b> |



## 1 Quick Facts

| <b>General</b>                |   |
|-------------------------------|---|
| Vision Standard               | GigE Vision   |
| Dynamic Range                 | 12 bit  |
| Resolution                    | 2448x2048   |
| Frame Rate at Full Resolution | 24  |
| Pixel Formats                 | 8-Bit Monochrome<br>12-Bit Packed Monochrome<br>16-Bit Monochrome |

| <b>Optical Interface</b> |                    |
|--------------------------|--------------------|
| IR-Cut filter            | No                 |
| Sensor Type              | Sony IMX264LLR-C   |
| Shutter Type             | Global             |
| Sensor Format            | 2/3 inch           |
| Pixel Size               | 3.45 $\mu\text{m}$ |
| Lens Mount               | C/CS               |

| <b>Electrical Interface</b> |  |
|-----------------------------|--|
| Interface                   | GigE   |
| Supply voltage              | 11 VDC to 13 VDC or POE: 56 VDC to 56 VDC  |
| Current consumption         | approx 400 mA @ 12 VDC   |
| I/O Connector               | 6-pin connector for power supply, trigger and strobe or general purpose input/output |

| <b>Mechanical Data</b> |                              |
|------------------------|------------------------------|
| Dimensions             | H: 29 mm, W: 29 mm, L: 57 mm |
| Mass                   | 65 g                         |



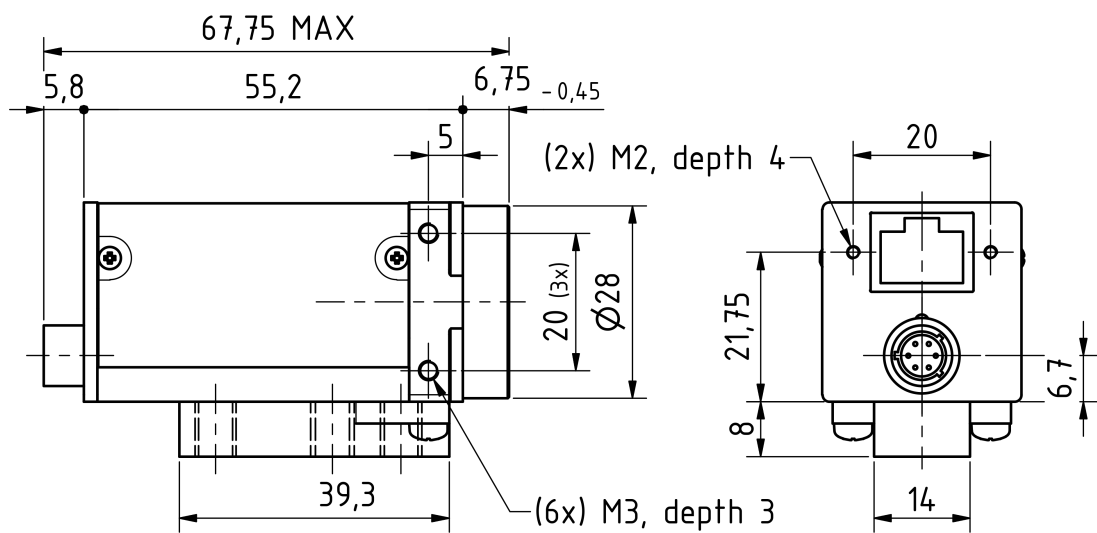
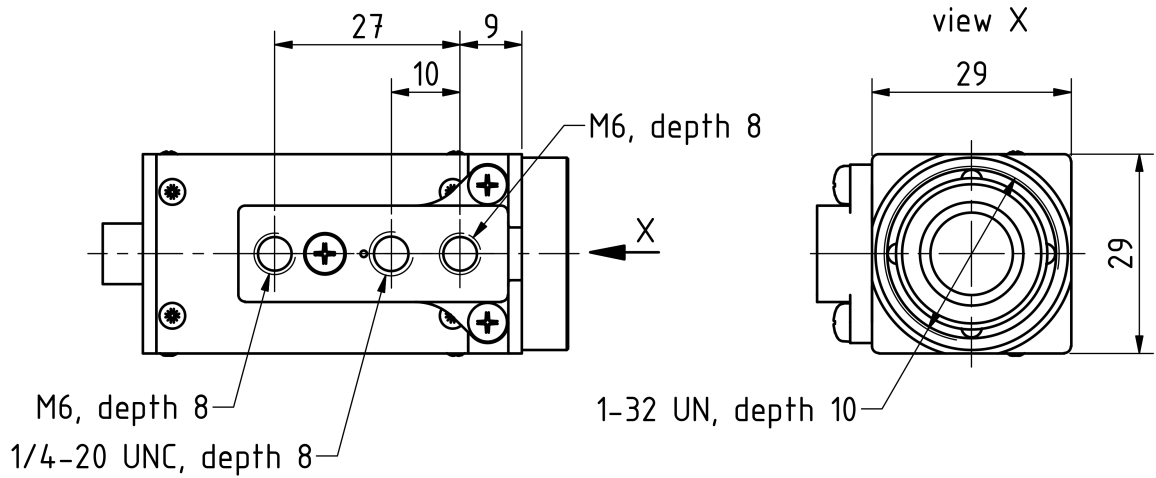
| <b>Adjustments</b> |                    |
|--------------------|--------------------|
| Shutter            | 20 $\mu$ s to 30 s |
| Gain               | 0 dB to 48 dB      |

| <b>Environmental</b>    |                               |
|-------------------------|-------------------------------|
| Temperature (operating) | -5 °C to 45 °C                |
| Temperature (storage)   | -20 °C to 60 °C               |
| Humidity (operating)    | 20 % to 80 % (non-condensing) |
| Humidity (storage)      | 20 % to 95 % (non-condensing) |



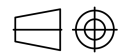
## 2 Dimensional Diagrams

### 2.1 DMK 33GX264 C-Mount with Tripod Adapter



Dimensions: mm

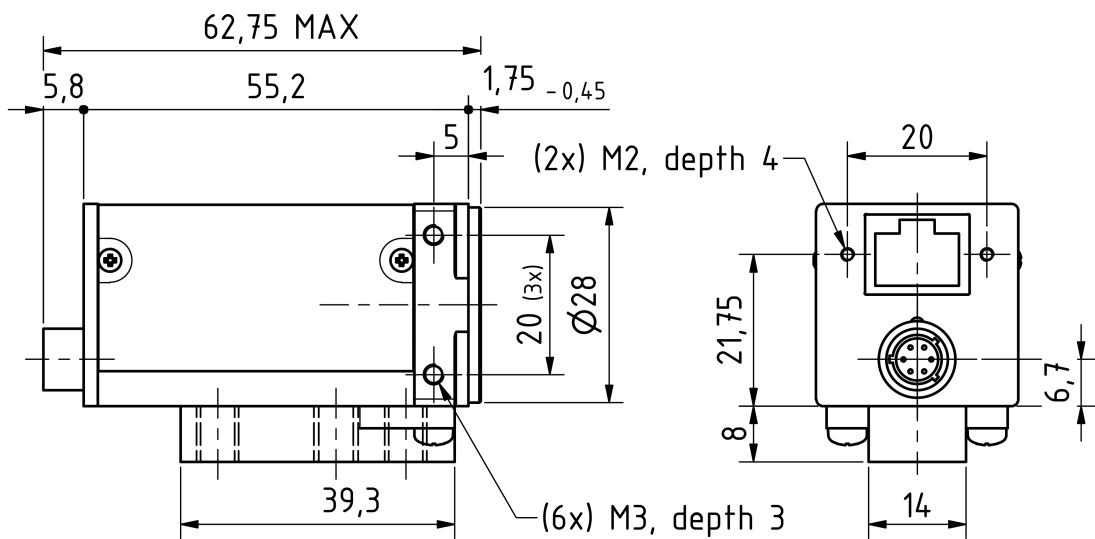
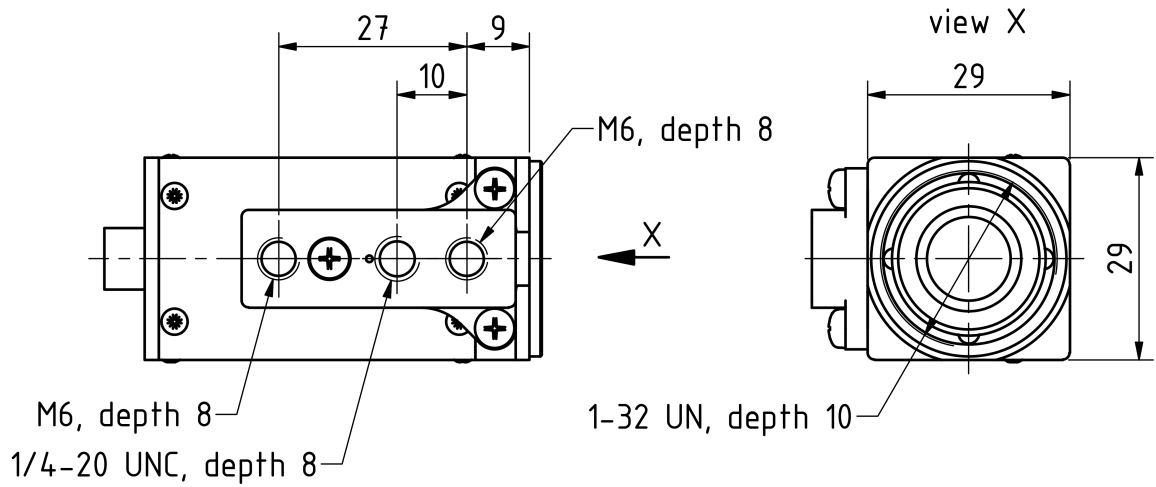
Tolerances: DIN ISO 2768m







## 2.3 DMK 33GX264 CS-Mount with Tripod Adapter



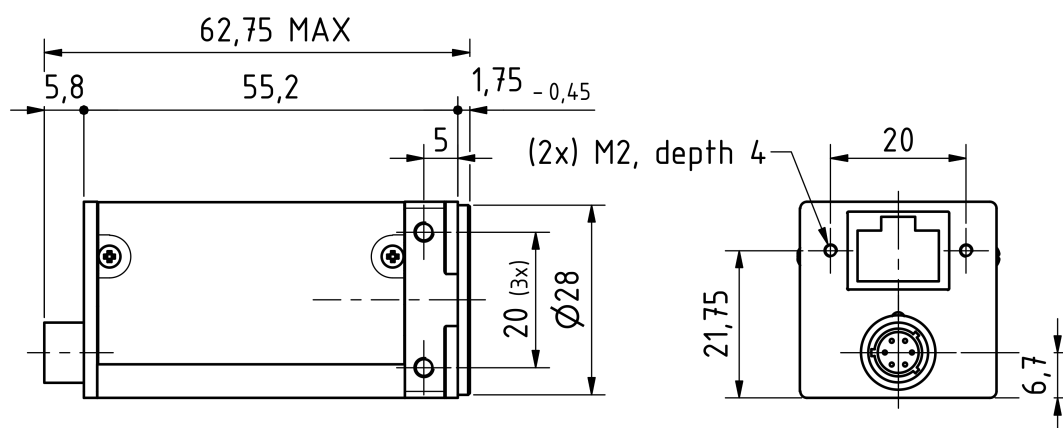
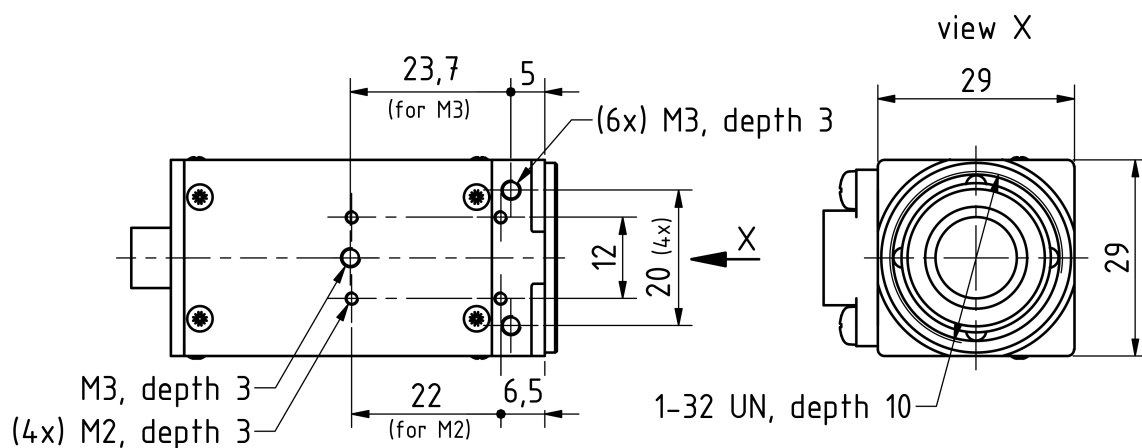
Dimensions: mm  
Tolerances: DIN ISO 2768m







## 2.4 DMK 33GX264 CS-Mount without Tripod Adapter



Dimensions: mm

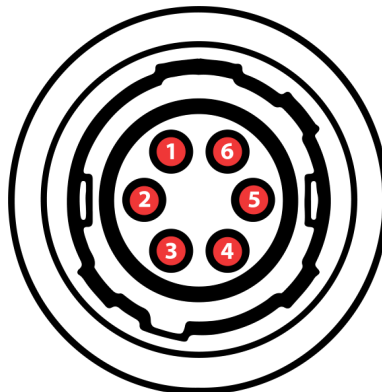
Tolerances: DIN ISO 2768m





## 3 I/O Connector

### 3.1 6-pin I/O Connector



Rear view of camera

| Pin | Signal            | I/O            | Remarks                        | Characteristics  |      |                   |      |
|-----|-------------------|----------------|--------------------------------|------------------|------|-------------------|------|
|     |                   |                |                                | Min              | Typ  | Max               | Unit |
| 1   | GigE Power Supply | P <sup>3</sup> |                                | 11.0             | 12.0 | 13.0              | V    |
| 2   | TRIGGER_IN (+)    | I <sup>3</sup> | Optocoupler signal             | 3.3 <sup>2</sup> | -    | 24.0 <sup>2</sup> | V    |
| 3   | TRIGGER_IN (-)    | I <sup>3</sup> | Optocoupler ground             | -                | -    | -                 | -    |
| 4   | STROBE_OUT        | O <sup>3</sup> | Open drain                     | -                | -    | 24.0 <sup>1</sup> | V    |
| 5   | GND_I/O           | G <sup>3</sup> | External Ground (Open Drain)   | -                | -    | -                 | -    |
| 6   | GND_DC            | G <sup>3</sup> | External Ground (Power Supply) | -                | -    | -                 | -    |

<sup>1</sup> max. 0.2A (ID) for open drain MOSFET!

<sup>2</sup> min. 3.5 mA driver strength required!

<sup>3</sup> G: Ground O: Output I: Input

The part number of this Hirose connector is HR10A-7R-6P(73). To create an I/O cable you need a Hirose connector HR10A-7P-6S(73).

#### 3.1.1 TRIGGER\_IN

The *TRIGGER\_IN* line can be used to synchronize the start of the exposure time with external events. The [Trigger](#) section describes in detail how the image sensor's behavior can be controlled.



The current input signal can also be read directly through the [General Purpose Input](#) feature.

### 3.1.2 STROBE\_OUT

The *STROBE\_OUT* line's main usage is to indicate the integration time of the image sensor which allows flashes, strobes or other light sources to be synchronized with camera operation. The line's behavior can be controlled through the [Strobe](#) controls.

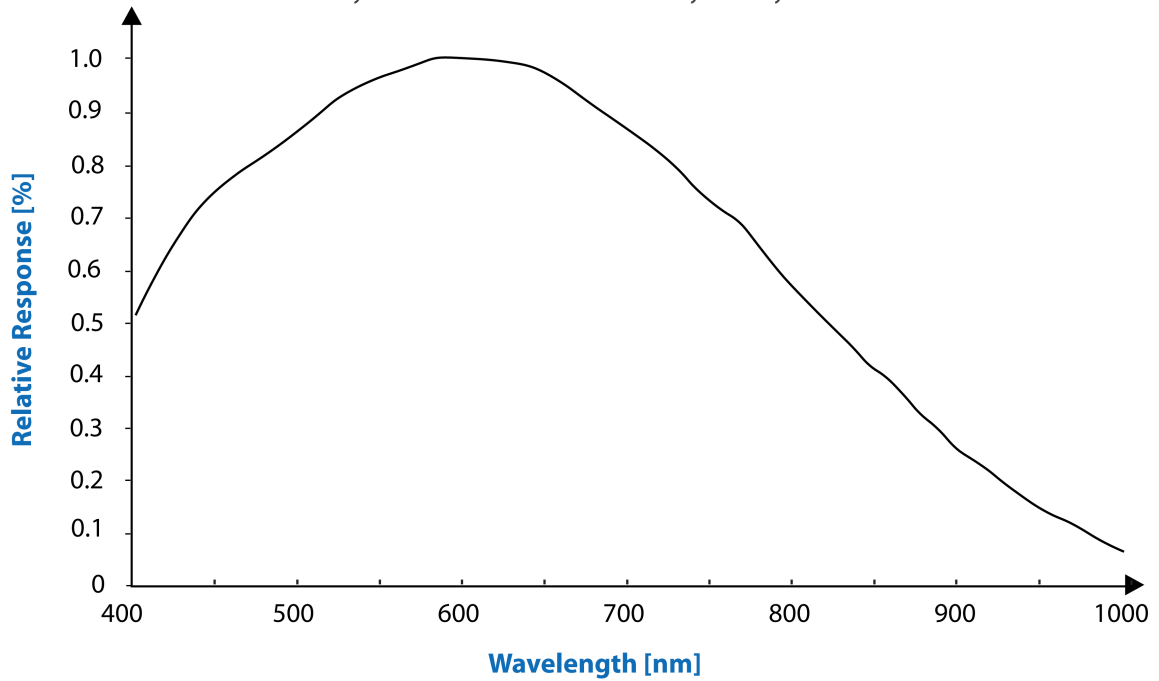
The output signal can also be directly controlled through the [General Purpose Output](#) feature.



## 4 Spectral Characteristics

### 4.1 Spectral Sensitivity - IMX264LLR-C

Sensor: Sony IMX250/252/264/265 - courtesy of Sony Deutschland GmbH





## 5 Camera Controls

This section describes the parameters available for the DMK 33GX264 camera.

The actual name of the parameter depends on the driver technology used to access the camera. Parameter names are listed for the most common ways to access the cameras:

- *GigE Vision* (cross platform, via 3rd party driver)
- *IC Imaging Control* (on Windows, via *Device Driver for The Imaging Source GigE Cameras*)

### 5.1 Sensor Readout Control

#### 5.1.1 Pixel Format

The pixel format defines the data type of the pixels transmitted to the computer. The bits per pixel needed for a particular pixel format influence the required bandwidth.

The way the pixel format is controlled varies significantly among the driver technology used to access the camera:

- When using *GigE Vision*, the pixel format is controlled through the `PixelFormat` GenICam feature.
- When using *IC Imaging Control*, the pixel format is part of the video format - a parameter which combines pixel format, resolution and readout mode. For more information, refer to the *IC Imaging Control* documentation sections on `VideoFormat` and `VideoFormatDesc`.

The DMK 33GX264 monochrome camera supports multiple pixel formats with variable bits-per-pixel settings. The names of the pixel formats and the way to select them depends on the driver used to control the camera. The following table contains a short overview of all possible formats followed by a more detailed description.

| Pixel Format             | Bits Per Pixel | GigE Vision  | TIS GigE Driver |
|--------------------------|----------------|--------------|-----------------|
| 8-Bit Monochrome         | 8              | Mono8        | Y800            |
| 12-Bit Packed Monochrome | 12             | Mono12Packed | Y16             |
| 16-Bit Packed Monochrome | 16             | Mono16       | Y16             |

##### 5.1.1.1 8-Bit Monochrome

This format transmits data using one byte for each pixel.

*GigE Vision* drivers see this pixel format as `Mono8`.

The *Device Driver for The Imaging Source GigE Cameras* offers this pixel format as the `Y800` video format.



## 5.1.1.2 12-Bit Packed Monochrome

This format transmits data using 3 bytes for each pair of 2 consecutive pixels.

*GigE Vision* drivers see this pixel format as `Mono12Packed`.

The *Device Driver for The Imaging Source GigE Cameras* offers this pixel format as the `Y16` video format. Since the DMK 33GX264 camera offers both 12-bit packed and 16-bit monochrome pixel formats, the driver will use the 12-bit packed format when the `Y16` video format is selected.

## 5.1.1.3 16-Bit Monochrome

The sensor of the DMK 33GX264 camera is not capable of providing 16-bit data output. Instead, the pixel data is transmitted in the most significant bits which allows application programs to ignore the sensor-specific data type, and treat the data as if the sensor outputs 16 bits.

*GigE Vision* drivers see this pixel format as `Mono16`.

The *Device Driver for The Imaging Source GigE Cameras* offers this pixel format as the `Y16` video format.

## 5.1.2 Resolution

The DMK 33GX264 allows the user to specify which rectangular region of the image sensor to read out during camera operation. The size of this rectangle determines the number of pixels that have to be transferred for each frame and has a significant influence on the required network bandwidth.

Lowering the resolution also often allows the image sensor to operate at a higher frame rate. Changes in the vertical resolution have more effect on the maximum frame rate than changes in the horizontal direction.

The way the resolution is controlled varies greatly between the driver technology used to access the camera:

- When using *GigE Vision*, the resolution is controlled through the GenICam features `Width` and `Height`.
- When using *IC Imaging Control*, the resolution is part of the video format, a parameter that combines pixel format, resolution and readout mode. For more information, refer to the *IC Imaging Control* documentation sections on `VideoFormat` and `VideoFormatDesc`.

| Parameter            | Horizontal Resolution |
|----------------------|-----------------------|
| Minimum              | 528                   |
| Maximum              | 2448                  |
| GigE Vision: GenICam | <code>Width</code>    |



| Parameter            | Vertical Resolution |
|----------------------|---------------------|
| Minimum              | 4                   |
| Maximum              | 2048                |
| GigE Vision: GenICam | Height              |

### 5.1.3 Readout Modes

The DMK 33GX264 camera offers different sensor readout modes.

By default, the camera outputs all pixels of the image sensor.

In *skipping* modes, the image sensor regularly skips a number of rows and/or columns during readout. The resulting output image is smaller but contains the same field of view than the image produced by default readout mode.

In *binning* modes, a number of neighboring pixels is merged into one output pixel during readout. The nature of this merge operation is sensor-specific, most sensors either add the pixel values or average them.

Generally, binning modes provide better image quality than skipping modes. However, skipping modes usually provide a higher maximum frame rate.

The way the readout modes are controlled depends greatly upon which driver technology is used to access the camera:

- When using GigE Vision, the readout mode is controlled through the *GenICam* features `DecimationHorizontal`, `DecimationVertical`, `BinningHorizontal` and `BinningVertical`.
- When using *IC Imaging Control*, the readout mode is part of the video format - a parameter that which combines pixel format, resolution and readout mode. For more information, refer to the *IC Imaging Control* documentation sections on `VideoFormat` and `VideoFormatDesc`.

The following readout modes are supported:

- Default
- Skipping 2X

### 5.1.4 Frame Rate

The frame rate is specified in frames per second and determines the camera's operating speed.

The way the frame rate is controlled depends greatly upon which driver technology is used to access the camera:

- When using *GigEVision*, the frame rate is controlled through the *GenICam* feature `AcquisitionFrameRate`.



- When using IC Imaging Control, the frame rate is selected from a list of available frame rates through APIs such as `Grabber::setFPS` or `ICImagingControl.DeviceFrameRate`.

The range of available frame rates depends upon other camera settings such as well, pixel format, resolution and readout modes.

| Parameter            | Frame Rate  |
|----------------------|---|
| Minimum              | Depending on Pixel Format, Resolution, and Readout Mode |
| Maximum              | Depending on Pixel Format, Resolution, and Readout Mode |
| GigE Vision: GenICam | <code>AcquisitionFrameRate</code>                       |

The following tables show the maximum frame rate for some combinations of pixel format and resolution.

### 8-Bit Monochrome

| Width | Height | Maximum Frame Rate |
|-------|--------|--------------------|
| 2448  | 2048   | 24                 |
| 1920  | 1080   | 58                 |
| 640   | 480    | 366                |

### 12-Bit Packed Monochrome

| Width | Height | Maximum Frame Rate |
|-------|--------|--------------------|
| 2448  | 2048   | 16                 |
| 1920  | 1080   | 38                 |
| 640   | 480    | 261                |

### 16-Bit Monochrome

| Width | Height | Maximum Frame Rate |
|-------|--------|--------------------|
| 2448  | 2048   | 12                 |
| 1920  | 1080   | 29                 |
| 640   | 480    | 195                |





## 5.1.5 Partial Scan Offset

If the selected resolution is smaller than the sensor size, the part of the sensor that is actually read out can be specified by the *Partial Scan Offset X* and *Partial Scan Offset Y* parameters. By default, the camera automatically positions the offsets so that the center of the sensor is used.

| Parameter            | Partial Scan Offset X                                     |
|----------------------|---|
| Minimum              | 0   |
| Maximum              | 1920  |
| GigE Vision: GenICam | OffsetX   |
| VCD Property         | VCDID_PartialScanOffset<br>\VCDElement_PartialScanOffsetX |

| Parameter            | Partial Scan Offset Y                                     |
|----------------------|---|
| Minimum              | 0   |
| Maximum              | 2044  |
| GigE Vision: GenICam | OffsetY   |
| VCD Property         | VCDID_PartialScanOffset<br>\VCDElement_PartialScanOffsetY |

If *Partial Scan Offset X* or *Partial Scan Offset Y* is configured to a value that would be invalid with the current setting of [Resolution](#) setting, the camera uses the maximum possible value.

| Parameter            | Partial Scan Auto Center  |
|----------------------|---|
| On                   | Automatically configure Partial Scan Offset X/Y so that the center area of the sensor is read out |
| True                 |   |
| Off                  | Control Partial Scan Offset X/Y manually  |
| False                |   |
| GigE Vision: GenICam | OffsetAutoCenter  |
| VCD Property         | VCDID_PartialScanOffset<br>\VCDElement_PartialScanAutoCenter                                      |

## 5.1.6 Image Flipping

The DMK 33GX264 camera allows flipping of the image data horizontally, vertically, or both. The *Flip Horizontal* and *Flip Vertical* parameters can be used to control this sensor feature.



| Parameter            | Flip Horizontal                        |
|----------------------|--|
| True                 | Image data is flipped horizontally     |
| False                | Image data is not flipped horizontally |
| GigE Vision: GenICam | ReverseX                               |
| VCD Property         | VCDID_FlipHorizontal\VCDElement_Value  |

| Parameter            | Flip Vertical                        |
|----------------------|--------------------------------------|
| True                 | Image data is flipped vertically     |
| False                | Image data is not flipped vertically |
| GigE Vision: GenICam | ReverseY                             |
| VCD Property         | VCDID_FlipVertical\VCDElement_Value  |

## 5.2 Image Sensor Control

### 5.2.1 Exposure Time

The *Exposure Time* parameter defines the time the camera opens its (electronic) shutter when it is taking an image.

| Parameter            | Exposure Time                   |
|----------------------|---------------------------------|
| Minimum              | 20 $\mu$ s                      |
| Maximum              | 30 s                            |
| Default              | auto                            |
| GigE Vision: GenICam | ExposureTime                    |
| VCD Property         | VCDID_Exposure\VCDElement_Value |

### 5.2.2 Gain

The *Gain* parameter defines the amplification that is applied to the image at sensor level.



| Parameter            | Gain                        |
|----------------------|-----------------------------|
| Minimum              | 0 dB                        |
| Maximum              | 48 dB                       |
| Default              | auto                        |
| GigE Vision: GenICam | Gain                        |
| VCD Property         | VCDID_Gain\VCDElement_Value |

### 5.2.3 Black Level

The *Black Level* parameter defines the lowest possible intensity value of the image sensor.

| Parameter            | Black Level                       |
|----------------------|-----------------------------------|
| Minimum              | 0                                 |
| Maximum              | 4095                              |
| Default              | 240                               |
| GigE Vision: GenICam | BlackLevel                        |
| VCD Property         | VCDID_Brightness\VCDElement_Value |

## 5.3 Automatic Exposure and Gain Control

The DMK 33GX264 camera can automatically control gain and exposure time. These automatic functions are enabled by default.

In order to optimize image parameters, a region of interest can be specified for automatic functions. Specifying a region of interest enables fine-grained control over the image area for which the image parameters are optimized. A selection of pre-defined area presets is available, but the user can also specify the coordinates of a custom rectangle.

In certain situations, it is desirable to limit the range of the auto-controlled parameters. For example, one might want to avoid high gain settings in order to keep noise levels low. Other applications require limiting the maximum exposure time so that movements do not get blurred. Therefore, the ranges of the gain and exposure parameter can be limited.

If both auto exposure and auto gain are active, the camera tries to lower the gain value in order to reduce noise and improve the image quality.



## 5.3.1 Auto Exposure

| Parameter            | Auto Exposure                  |
|----------------------|--------------------------------|
| Continuous           | Enable Auto Exposure           |
| True                 |                                |
| Off                  | Disable Auto Exposure          |
| False                |                                |
| GigE Vision: GenICam | ExposureAuto                   |
| VCD Property         | VCDID_Exposure\VCDElement_Auto |

## 5.3.2 Auto Gain

| Parameter            | Auto Gain                  |
|----------------------|----------------------------|
| Continuous           | Enable Auto Gain           |
| True                 |                            |
| Off                  | Disable Auto Gain          |
| False                |                            |
| GigE Vision: GenICam | GainAuto                   |
| VCD Property         | VCDID_Gain\VCDElement_Auto |

## 5.3.3 Auto Reference Value

The *Auto Reference Value* parameter specifies the target brightness for both auto exposure and auto gain.

| Parameter            | Auto Reference Value                    |
|----------------------|---|
| Minimum              | 0                                       |
| Maximum              | 255                                     |
| Default              | 128                                     |
| GigE Vision: GenICam | ExposureAutoReference                   |
| VCD Property         | VCDID_Exposure\VCDElement_AutoReference |

## 5.3.4 Highlight Reduction

Enabling *Highlight Reduction* lets the auto exposure and auto gain functions reduce overexposed areas in the output image. This feature is particularly useful when using 10/12/16-bit output images and a tone mapping algorithm in post-processing when using higher bit depths as the dark areas still contain a lot of useful information.



| Parameter            | Highlight Reduction  |
|----------------------|--|
| True                 | Try to reduce overexposed areas  |
| False                | Ignore overexposed areas and focus on matching the image brightness to the selected <a href="#">Auto Reference Value</a> . |
| GigE Vision: GenICam | ExposureAutoHighlightReduction   |
| VCD Property         | VCDID_HighlightReduction\VCDElement_Value  |

### 5.3.5 Auto Exposure Limits

The *Auto Exposure Lower Limit* parameter determines the minimum possible value that can be set by the auto exposure algorithm.

| Parameter            | Auto Exposure Lower Limit |
|----------------------|---------------------------|
| Minimum              | 20 $\mu$ s                |
| Maximum              | 30 s                      |
| GigE Vision: GenICam | ExposureAutoLowerLimit    |

The *Auto Exposure Upper Limit* parameter determines the maximum possible value that can be set by the auto exposure algorithm.

| Parameter            | Auto Exposure Upper Limit              |
|----------------------|--|
| Minimum              | 20 $\mu$ s                             |
| Maximum              | 30 s                                   |
| GigE Vision: GenICam | ExposureAutoUpperLimit                 |
| VCD Property         | VCDID_Exposure\VCDElement_AutoMaxValue |

If the *Auto Exposure Upper Limit Auto* parameter is enabled, the value of *Auto Exposure Upper Limit* is automatically kept at the maximum possible value for the current frame rate.

| Parameter            | Auto Exposure Upper Limit Auto                        |
|----------------------|---|
| On                   | Select <i>Auto Exposure Upper Limit</i> automatically |
| Off                  | Let the user control <i>Auto Exposure Upper Limit</i> |
| GigE Vision: GenICam | ExposureAutoUpperLimitAuto                            |



## 5.3.6 Auto Gain Limits

The *Auto Gain Lower Limit* parameter determines the minimum possible value that can be set by the auto gain algorithm.

| Parameter            | Auto Gain Lower Limit |
|----------------------|-----------------------|
| Minimum              | 0 dB                  |
| Maximum              | 48 dB                 |
| GigE Vision: GenICam | GainAutoLowerLimit    |

The *Auto Gain Upper Limit* parameter determines the maximum possible value that can be set by the auto gain algorithm.

| Parameter            | Auto Gain Upper Limit |
|----------------------|-----------------------|
| Minimum              | 0 dB                  |
| Maximum              | 48 dB                 |
| GigE Vision: GenICam | GainAutoUpperLimit    |

## 5.4 Trigger

The trigger mode can be used to take images at very specific points in time which are specified by an electrical signal connected to the [TRIGGER\\_IN](#) pin of the I/O connector of the camera.

### 5.4.1 Trigger Mode

The *Trigger Mode* parameter enables the trigger mode.

| Parameter            | Trigger Mode                   |
|----------------------|--------------------------------|
| On                   | Enable Trigger Mode            |
| True                 |                                |
| Off                  | Disable Trigger Mode           |
| False                |                                |
| GigE Vision: GenICam | TriggerMode                    |
| VCD Property         | VCDID_Trigger\VCDElement_Value |

### 5.4.2 Trigger Polarity

The *Trigger Polarity* parameter controls whether a trigger event is accepted on the rising or falling edge of the signal connected to the TRIGGER\_IN line.



| Parameter            | Trigger Polarity                      |
|----------------------|---------------------------------------|
| RisingEdge           | Accept rising edge as trigger signal  |
| True                 |                                       |
| FallingEdge          | Accept falling edge as trigger signal |
| False                |                                       |
| GigE Vision: GenICam | TriggerActivation                     |
| VCD Property         | VCDID_Trigger\VCDElement_Polarity     |

### 5.4.3 Software Trigger

The *Software Trigger* function can be used to simulate a trigger pulse, in turn causing one image to be exposed and delivered to the host computer.

| Parameter            | Software Trigger                         |
|----------------------|--|
| Execute              | Simulate one trigger pulse               |
| GigE Vision: GenICam | TriggerSoftware                          |
| VCD Property         | VCDID_Trigger\VCDElement_SoftwareTrigger |

### 5.4.4 Trigger Burst Count

The *Trigger Burst Count* parameter allows the camera to be configured to take more than one image per trigger pulse. By default, this parameter is set to 1 so that exactly one image is acquired. The images are taken as rapidly as possible given current settings (i.e. as limited by the current exposure time and frame rate settings).

| Parameter            | Trigger Burst Count                        |
|----------------------|--|
| Minimum              | 1  |
| Maximum              | 1000                                       |
| Default              | 1  |
| GigE Vision: GenICam | AcquisitionBurstFrameCount                 |
| VCD Property         | VCDID_Trigger\VCDElement_TriggerBurstCount |

### 5.4.5 Trigger Source

The *Trigger Source* parameter allows the camera to be configured to only accept trigger signals from a specified source, e.g. only software trigger.



| Parameter            | Trigger Source                        |
|----------------------|---------------------------------------|
| Any                  | Allow trigger signals from any source |
| Line1                | Allow only hardware trigger           |
| Software             | Allow only software trigger           |
| GigE Vision: GenICam | TriggerSource                         |

## 5.4.6 Trigger Overlap

The *Trigger Overlap* feature gives information on when a new trigger pulse is accepted in the trigger -> exposure -> readout sequence.

| Parameter            | Trigger Overlap   |
|----------------------|---|
| Off                  | The next trigger pulse is only accepted once the previous frame has been read out from the sensor                         |
| Readout              | The next trigger pulse is accepted during readout as long as the remaining readout time is shorter than the exposure time |
| GigE Vision: GenICam | TriggerOverlap  |
| VCD Property         | VCDID_Trigger\VCDElement_TriggerOverlap   |

## 5.4.7 IMX Low-Latency Mode

The *IMX Low-Latency Mode* parameter controls whether the sensor operates in low-latency trigger mode.

| Parameter            | IMX Low-Latency Mode   |
|----------------------|--|
| True                 | Delay between trigger input and start of exposure is exactly as configured through the <i>Trigger Delay</i> feature  |
| False                | Delay between trigger input and start of exposure is the time configured by the <i>Trigger Delay</i> feature in addition to a random delay depending on resolution, frame rate, and timing relative to the sensor's internal state |
| GigE Vision: GenICam | IMXLowLatencyMode  |
| VCD Property         | VCDID_Trigger\VCDElement_IMXLowLatencyMode   |

**Important:** If *IMX Low-Latency Mode* is enabled, *Trigger Overlap* is not allowed and is thereby forced to `Off`.





## 5.5 Trigger Timing Parameters

The 33G series camera series offers several options for dealing with bad trigger signals. By using the *Debounce Time*, *Denoise Time* and *Mask Time* parameters, the camera can be configured to ignore pulses on its [TRIGGER\\_IN](#) line under certain conditions.

Useful values for these parameters are application-specific. They depend on the expected trigger frequency, the exposure time and assumptions about the input signal quality.

The default values for all these parameters is 0  $\mu$ s, assuming perfect signal quality.

### 5.5.1 Trigger Delay

The *Trigger Delay* parameter specifies a time for which the camera waits between receiving a trigger signal and starting the exposure of an image. Simulated trigger pulses generated through the *Software Trigger* function are not delayed by this parameter.

| Parameter            | Trigger Delay                         |
|----------------------|---------------------------------------|
| Minimum              | 0 s                                   |
| Maximum              | 1 s                                   |
| Default              | 0 s                                   |
| GigE Vision: GenICam | TriggerDelay                          |
| VCD Property         | VCDID_Trigger\VCDElement_TriggerDelay |

### 5.5.2 Trigger Debounce Time

The *Trigger Debounce Time* parameter specifies the time for which the trigger input has to be low in order for the next trigger signal to be accepted.

| Parameter            | Trigger Debounce Time                     |
|----------------------|---|
| Minimum              | 0 s                                       |
| Maximum              | 1 s                                       |
| Default              | 0 s                                       |
| GigE Vision: GenICam | TriggerDebouncer                          |
| VCD Property         | VCDID_Trigger\VCDElement_TriggerDebouncer |

### 5.5.3 Trigger Mask Time

The *Trigger Mask Time* parameter specifies the time for which trigger pulses are ignored after accepting a trigger signal.



| Parameter            | Trigger Mask Time                    |
|----------------------|--------------------------------------|
| Minimum              | 0 s                                  |
| Maximum              | 1 s                                  |
| Default              | 0 s                                  |
| GigE Vision: GenICam | TriggerMask                          |
| VCD Property         | VCDID_Trigger\VCDElement_TriggerMask |

## 5.5.4 Trigger Noise Suppression Time

The *Trigger Noise Suppression Time* parameter specifies the time for which trigger input has to be active in order to be accepted as a trigger signal.

| Parameter            | Trigger Noise Suppression Time          |
|----------------------|---|
| Minimum              | 0 s                                     |
| Maximum              | 1 s                                     |
| Default              | 0 s                                     |
| GigE Vision: GenICam | TriggerDenoise                          |
| VCD Property         | VCDID_Trigger\VCDElement_TriggerDenoise |

## 5.6 Digital I/O

The 33G series has one digital input and one digital output. The digital input can be used as a [Trigger](#) input but the current status can also be examined directly.

The digital output can be configured as a [Strobe](#) output to signal the exact moment when the image sensor is sensitive to light so that external light sources can be synchronized to its operation cycle.

### 5.6.1 General Purpose Input

The *General Purpose Input* parameter allows the current status of the [TRIGGER\\_IN](#) pin.



| Parameter            | General Purpose Input  |
|----------------------|--|
| True                 | TRIGGER_IN line status is low                                  |
| 1                    |  |
| False                | TRIGGER_IN line status is high                                 |
| 0                    |  |
| GigE Vision: GenICam | GPIIn  |
| VCD Property         | VCDID_GPIO\VCDElement_GPIORead<br>VCDID_GPIO\VCDElement_GPIOIn |

## 5.6.2 General Purpose Output

The *General Purpose Output* parameter controls the status of the [STROBE\\_OUT](#) pin.

| Parameter            | General Purpose Output   |
|----------------------|--|
| True                 | Drive the STROBE_OUT line high                                   |
| 1                    |  |
| False                | Drive the STROBE_OUT line low                                    |
| 0                    |  |
| GigE Vision: GenICam | GPOut  |
| VCD Property         | VCDID_GPIO\VCDElement_GPIOWrite<br>VCDID_GPIO\VCDElement_GPIOOut |

## 5.7 Strobe

The strobe function controls the automatic generation of output pulses on the [STROBE\\_OUT](#) pin which is synchronized to the image sensor's exposure time.

### 5.7.1 Strobe Enable

The *Strobe Enable* parameter enables the automatic generation of strobe pulses.

| Parameter            | Strobe Enable                 |
|----------------------|-------------------------------|
| On                   | Strobe enabled                |
| True                 |                               |
| Off                  | Strobe disabled               |
| False                |                               |
| GigE Vision: GenICam | StrobeEnable                  |
| VCD Property         | VCDID_Strobe\VCDElement_Value |



## 5.7.2 Strobe Polarity

The *Strobe Polarity* parameter can be used to invert the strobe pulse output.

| Parameter            | Strobe Polarity   |
|----------------------|---|
| ActiveHigh<br>True   | The STROBE_OUT pin is logically high during the exposure time |
| ActiveLow<br>False   | The STROBE_OUT pin is logically low during the exposure time  |
| GigE Vision: GenICam | StrobePolarity  |
| VCD Property         | VCDID_Strobe\VCDElement_StrobePolarity                        |

## 5.7.3 Strobe Operation

The *Strobe Operation* parameter specifies how the length of the strobe pulses are controlled.

| Parameter              | Strobe Operation   |
|------------------------|--|
| Exposure<br>True       | Output pulse duration is equal to the current exposure time  |
| FixedDuration<br>False | Output pulse duration is specified by <i>Strobe Duration</i> |
| GigE Vision: GenICam   | StrobeOperation  |
| VCD Property           | VCDID_Strobe\VCDElement_StrobeMode                           |

## 5.7.4 Strobe Duration

The *Strobe Duration* parameter controls the length of the strobe pulses if *Strobe Operation* is set to use the fixed duration mode.

| Parameter            | Strobe Duration                        |
|----------------------|--|
| Minimum              | 0 $\mu$ s                              |
| Maximum              | 32767 $\mu$ s                          |
| GigE Vision: GenICam | StrobeDuration                         |
| VCD Property         | VCDID_Strobe\VCDElement_StrobeDuration |



## 5.7.5 Strobe Delay

The *Strobe Delay* parameter can be used to add a small delay between the start of exposure and the strobe output pulse.

| Parameter            | Strobe Delay                        |
|----------------------|-------------------------------------|
| Minimum              | 0 $\mu$ s                           |
| Maximum              | 32767 $\mu$ s                       |
| GigE Vision: GenICam | StrobeDelay                         |
| VCD Property         | VCDID_Strobe\VCDElement_StrobeDelay |

## 5.8 Image Processing

### 5.8.1 Gamma

The 33G series cameras can perform gamma correction on the image data. If the pixel format of a color camera is set a YUV mode, gamma correction is applied to the Y channel. In bayer raw and RGB24 modes, all color channels are subject to the same gamma correction.

| Parameter            | Gamma                        |
|----------------------|------------------------------|
| Minimum              | 0.01                         |
| Maximum              | 5.0                          |
| Default              | 1.0                          |
| GigE Vision: GenICam | Gamma                        |
| VCD Property         | VCDID_Gamma\VCDElement_Value |

### 5.8.2 Lookup Table

The 33G series allows the user to specify a lookup table (LUT) that can transform pixel values. This lookup table can be used to perform tasks like histogram equalization inside the camera.

If the pixel format of a color camera is set to one of the YUV modes, the lookup table is applied only to the Y channel. In bayer raw and RGB24 modes, all color channels are subject to the same lookup operation.

The lookup table has 257 16-bit entries. The upper 8 bits of the image data are used to select the appropriate entry in the lookup table, while the remaining bits are used to interpolate between the selected entry and one of its neighbors.

The *LUT Enable* feature enables the lookup table.



| Parameter            | LUT Enable                     |
|----------------------|--------------------------------|
| True                 | Enable lookup table operation  |
| False                | Disable lookup table operation |
| GigE Vision: GenICam | LUTEnable                      |

The lookup table values can be programmed using the *LUT Index* and *LUT Value* features.

| Parameter            | LUT Index |
|----------------------|-----------|
| Minimum              | 0         |
| Maximum              | 256       |
| GigE Vision: GenICam | LUTIndex  |

| Parameter            | LUT Value |
|----------------------|-----------|
| Minimum              | 0         |
| Maximum              | 65535     |
| GigE Vision: GenICam | LUTValue  |

The whole lookup table can be quickly reprogrammed through the *LUT Value All* feature.

| Parameter            | LUT Value All  |
|----------------------|--|
| Value                | 1028 bytes of memory containing 257 LUT entries. Each 16-bit LUT entry is aligned on a 32-bit boundary |
| GigE Vision: GenICam | LUTValueAll  |

**Important:** Since gamma correction is implemented using the same hardware as the lookup table, gamma correction is disabled when the lookup table is enabled.

## 5.9 Region of Interest for Auto Functions

The 33G series cameras allow for the setting of a region of interest that is used while controlling the [Auto Exposure](#), [Auto Gain](#) and Auto White Balance functions.

### 5.9.1 Auto Functions ROI Enable

The *Auto Functions ROI Enable* parameter allows for the use of a region of interest for auto functions.



| Parameter            | Auto Functions ROI Enable   |
|----------------------|---|
| True                 | Auto functions only take a specified part of the image into account |
| False                | Auto functions look at the whole image                              |
| GigE Vision: GenICam | AutoFunctionsROIEnable  |
| VCD Property         | VCDID_AutoRoi\VCDElement_Value                                      |

## 5.9.2 Auto Functions ROI Preset

The *Auto Functions ROI Preset* parameter lets the user select from a list of ROI presets.

| Parameter            | Auto Functions ROI Preset   |
|----------------------|---|
| Full Sensor          | Select the full output image                                      |
| Center 50%           | Select a rectangular area in the center of the output image       |
| Center 25%           | Select a small rectangular area in the center of the output image |
| Bottom Half          | Select the bottom half of the output image                        |
| Top Half             | Select the top half of the output image                           |
| Custom Rectangle     | Select a custom rectangle for fine-grained control                |
| GigE Vision: GenICam | AutoFunctionsROI_Preset   |
| VCD Property         | VCDID_AutoRoi\VCDElement_AutoRoiPreset                            |

## 5.9.3 Auto Functions ROI Custom Rectangle

When *Auto Functions ROI Preset* is set to *Custom Rectangle*, the user can manually set the position and size of the region of interest. The coordinates are relative to the origin of the current video format as specified by [Partial Scan Offset](#).

| Parameter            | Auto Functions ROI Left                          |
|----------------------|--|
| Minimum              | 0  |
| Maximum              | 2432   |
| GigE Vision: GenICam | AutoFunctionsROI_Left                            |
| VCD Property         | VCDID_AutoRoi<br>\VCDElement_AutoRoiLeftRelative |



| Parameter            | Auto Functions ROI Top                          |
|----------------------|---|
| Minimum              | 0   |
| Maximum              | 2032  |
| GigE Vision: GenICam | AutoFunctionsROITop                             |
| VCD Property         | VCDID_AutoRoi<br>\VCDElement_AutoRoiTopRelative |

| Parameter            | Auto Functions ROI Width                          |
|----------------------|---|
| Minimum              | 16  |
| Maximum              | 2448  |
| GigE Vision: GenICam | AutoFunctionsROIWidth                             |
| VCD Property         | VCDID_AutoRoi<br>\VCDElement_AutoRoiWidthRelative |

| Parameter            | Auto Functions ROI Height                          |
|----------------------|--|
| Minimum              | 16   |
| Maximum              | 2048   |
| GigE Vision: GenICam | AutoFunctionsROIHeight                             |
| VCD Property         | VCDID_AutoRoi<br>\VCDElement_AutoRoiHeightRelative |

## 5.10 User Sets

The 33G series cameras can store their complete configuration into built-in non-volatile memory. The camera configuration can be saved into and restored from one of two available memory slots upon user's request. Additionally, the camera can be configured to load one of the user's camera configurations at startup.

### 5.10.1 User Set Selector

The *User Set Selector* parameter selects the memory slot on which consecutive load and save commands are executed.





| Parameter            | User Set Selector   |
|----------------------|---|
| UserSet1             | First of the two memory slots for user configurations   |
| UserSet2             | Second of the two memory slots for user configurations  |
| Default              | A special memory slot that always contains the camera's factory default configuration. It cannot be overwritten |
| GigE Vision: GenICam | UserSetSelector   |

## 5.10.2 Load User Set

By using the *Load User Set* command, the user can restore the camera configuration from the memory slot selected by *User Set Selector*.

| Parameter            | Load User Set   |
|----------------------|---|
| Execute              | Restore the camera configuration from the memory slot specified by <i>User Set Selector</i> |
| GigE Vision: GenICam | UserSetLoad   |

## 5.10.3 Save User Set

By using the *Save User Set* command, the user can save the camera configuration into the memory slot selected by *User Set Selector*.

| Parameter            | Save User Set  |
|----------------------|--|
| Execute              | Save the current camera configuration into the memory slot specified by <i>User Set Selector</i> |
| GigE Vision: GenICam | UserSetSave  |

## 5.10.4 Default User Set

The *Default User Set* parameter controls the camera's startup behavior. It selects which memory slot is used for device initialization when the camera is powered up.

| Parameter            | Default User Set                               |
|----------------------|--|
| UserSet1             | Load configuration from the first memory slot  |
| UserSet2             | Load configuration from the second memory slot |
| Default              | Load factory default configuration             |
| GigE Vision: GenICam | UserSetDefault                                 |



## 6 Revision History

| Date       | Version       | Description  |
|------------|---------------|--|
| 2018/06/28 |               | Initial release of this document   |
| 2019/03/25 | Firmware 2331 | Add additional pixel processing features (Gamma, Hue, Saturation, YUV pixel formats) |



## DMK 33GX264 Technical Reference Manual

All product and company names in this document may be trademarks and tradenames of their respective owners and are hereby acknowledged.

The Imaging Source Europe GmbH cannot and does not take any responsibility or liability for any information contained in this document. The source code presented in this document is exclusively used for didactic purposes. The Imaging Source does not assume any kind of warranty expressed or implied, resulting from the use of the content of this document or the source code.

The Imaging Source Company reserves the right to make changes in specifications, function or design at any time and without prior notice.

Last update: April 2019

© 2019 The Imaging Source

All rights reserved. Reprint, also in parts, only allowed with permission of The Imaging Source Europe GmbH.

All weights and dimensions are approximate. Unless otherwise specified, the lenses shown in the context of cameras are not shipped with these cameras.