

TC1514HDIR

► SPECIFICATIONS

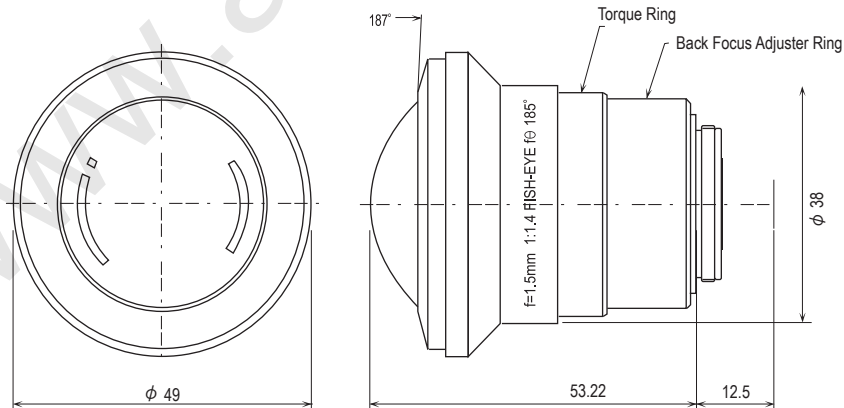
Format size	1/2inch (ϕ 8mm)	Operation	
Focal Length	1.5mm	Zoom	Non
Maximum Relative Aperture	1: 1.4	Focus	Non
Iris	1.4Fixed	Iris	Non
Zoom Ratio	----	Operation Temperature	-10°C ~ +50°C
Field of View	187° f-theta optical design	Mount	CS-Mount
M.O.D.	0.1m	Size, Weight	ϕ 39.0x53.3mm, 100g
Flange Back	12.5mm (Adjustable)		
Back Focal Length			

► FEATURES

 3.0Mega Pixel

 IR-Correction Day/Night

► DEMENSIONS



Unit:mm